



V.22bis Modem with 4th Generation SmartDAA

CX90240

Conexant's portfolio includes a comprehensive suite of semiconductor solutions for broadband communications and the digital home.

2400 bps Modem with SmartDAA® 4 for Embedded Applications

Conexant's broadband communications portfolio includes a comprehensive suite of semiconductor solutions that enable the digital home and information network. Conexant modem solutions deliver a high level of integration and robust performance. The CX90240 modem device is a simplified design in a small form-factor which allows for quick time-to-market. The CX90240 modem supports worldwide DAA and data modes up to 2400bps.

Conexant's proprietary SmartDAA® 4 line side device builds on three generations of market leading silicon DAA devices. It reduces Bill of Material (BOM) cost and necessary board space, making it the most cost efficient silicon DAA in the market. It eliminates the need for costly analog transformers, relays and opto-isolators typically used in discrete DAA implementation for country-specific modem configurations. The result is a worldwide reduced system cost solution using a single BOM. The SmartDAA4 is system-powered, making it the most reliable and best performing silicon DAA in the market.

This low cost solution integrates microcontroller (MCU), serial host interface, ROM, RAM and SmartDAA System Side Device (SSD) functions onto a single die. The easy-to-use design is pin-to-pin compatible with Conexant's CX93011 product in a 20-pin Quad Flat-No Lead (QFN) package.

Applications

Conexant's CX90240 modem is ideal for embedded applications such as:

- POS Terminals
- Set-top Boxes
- Email Terminals
- ATM Machines

Advantages

- Pin-compatible to CX93011 Serial Modem
- SmartDAA 4 technology
- Worldwide support
- Quick time-to-market
- Low-cost solution
- Small form-factor

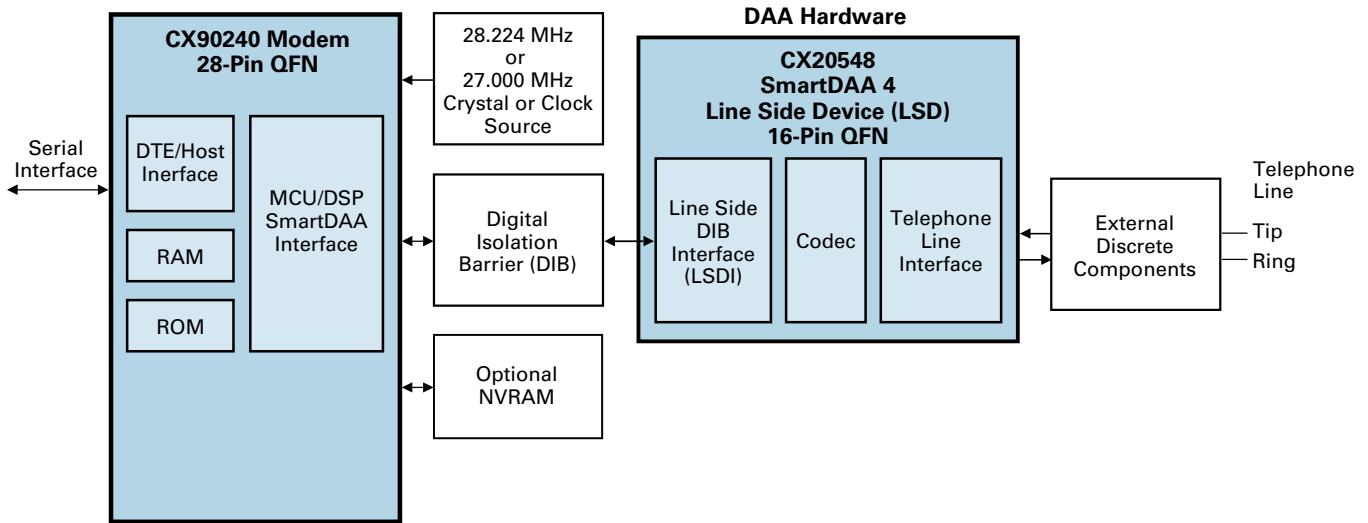


Distinguishing Features

- Modulations
 - V.22 and Bell 212A (1200 bps)
 - V.22 fast connect
 - V.21 and Bell 103 (300 bps)
 - V.23 1200/75 and 75/1200
 - V.23 Half Duplex (1200 bps)
- V.42 and MNP2-4 Error Correction
- Serial Interface
- Synchronous/Asynchronous Data Mode - Hardware and software flow control
- Supports AT Command Set
- Other Protocols
 - V.80 Synchronous Access Mode
 - V.23 Reverse Mode
- Type I and Type II Caller ID Decoding
- Worldwide DC Mask Compliance
- Enhanced DAA features
 - Digital Line Protection
 - Line-in-Use Detection
 - Extension Pickup Detection
 - Remote Hang-up Detection
- Single +3.3V supply
- 20-pin QFN

Part Number CX90240

Description V.22bis Modem with 4th Generation SmartDAA



CX90240 V.222bis Modem Simplified Interface

Ordering Information

Marketing Name	Modem	SmartDAA®	Ordering Number
V.22bis Modem	CX90240	CX20548-11Z	DS22-CSM-11Z
Evaluation Board			RD02-D390-5xx
Data Sheet and Design Guide			Doc# 201394
AT Command Manual			Doc# 102000

Conexant Product Portfolio

The company's broad portfolio of semiconductor products also includes client-side DSL, cable, and dial-up modem solutions; fiber optic system-on-chips; broadcast video encoders and decoders; and digital set-top box components and systems solutions. Additional products include a complete line of asymmetric and symmetric DSL central office solutions, which are used by service providers worldwide to deliver broadband data, voice, and video over copper telephone lines.

© 2007 Conexant Systems, Inc. All Rights Reserved. Conexant and the Conexant logo are registered trademarks of Conexant Systems, Inc. All other trademarks are owned by their respective owners. Although Conexant strives for accuracy in all its publications, this material may contain errors or omissions and is subject to change without notice. **THIS MATERIAL IS PROVIDED AS IS AND WITHOUT ANY EXPRESS OR IMPLIED WARRANTIES, INCLUDING MERCHANTABILITY, FITNESS FOR A PARTICULAR PURPOSE AND NON-INFRINGEMENT.** Conexant shall not be liable for any special, indirect, incidental or consequential damages as a result of its use.

www.conexant.com
General Information:
 U.S. and Canada: (888) 855-4562
 International: 1+ (949) 483-3000
 Headquarters
 4000 MacArthur Blvd.
 Newport Beach, CA 92660
 Doc# PBR-201395

