

## 14-/12-Bit, 250-MSPS ADCs With Integrated Analog Buffer

### FEATURES

- Integrated High Impedance Analog Input Buffer
- Maximum Sample Rate: 250 MSPS
- 14-Bit Resolution – ADS61B49
- 12-Bit Resolution – ADS61B29
- 790 mW Total Power Dissipation at 250 MSPS
- Double Data Rate (DDR) LVDS and Parallel CMOS Output Options
- Programmable Fine Gain up to 6 dB for SNR/SFDR Trade-Off and 1- $V_{pp}$  Full-Scale Operation
- DC Offset Correction
- Supports Input Clock Amplitude Down to 400 mV<sub>PP</sub> Differential
- 48-QFN Package (7mm × 7mm)
- Pin Compatible with ADS6149 Family

### APPLICATIONS

- Multicarrier, Wide Bandwidth Communications
- Wireless Multi-Carrier Communications Infrastructure
- Software Defined Radio
- Power Amplifier Linearization Feedback ADC
- 802.16d/e
- Test and Measurement Instrumentation
- High Definition Video
- Medical Imaging
- Radar Systems

### DESCRIPTION

The ADS61B49 (ADS61B29) is a 14-bit (12-bit) A/D converter with a sampling rate up to 250 MSPS. It combines high dynamic performance and low power consumption in a compact 48-QFN package. An integrated analog buffer makes it well-suited for multi-carrier, wide bandwidth communications applications. The buffer maintains constant performance and input impedance across a wide frequency range.

The ADS61B49 (ADS61B29) has fine gain options that can be used to improve SFDR performance at lower full-scale input ranges. It includes a dc offset correction loop that can be used to cancel the ADC offset. Both Double Data Rate (DDR) LVDS and parallel CMOS digital output interfaces are available. At lower sampling rates, the ADC automatically operates at scaled down power with no loss in performance.

It includes internal references while the traditional reference pins and associated decoupling capacitors have been eliminated. The device is specified over the industrial temperature range (–40°C to 85°C).

|                          | ANALOG BUFFER | 250 MSPS | 210 MSPS |
|--------------------------|---------------|----------|----------|
| ADS614X<br>14-Bit Family | NO            | ADS6149  | ADS6148  |
|                          | YES           | ADS61B49 |          |
| ADS612X<br>12-Bit Family | NO            | ADS6129  | ADS6128  |
|                          | YES           | ADS61B29 |          |

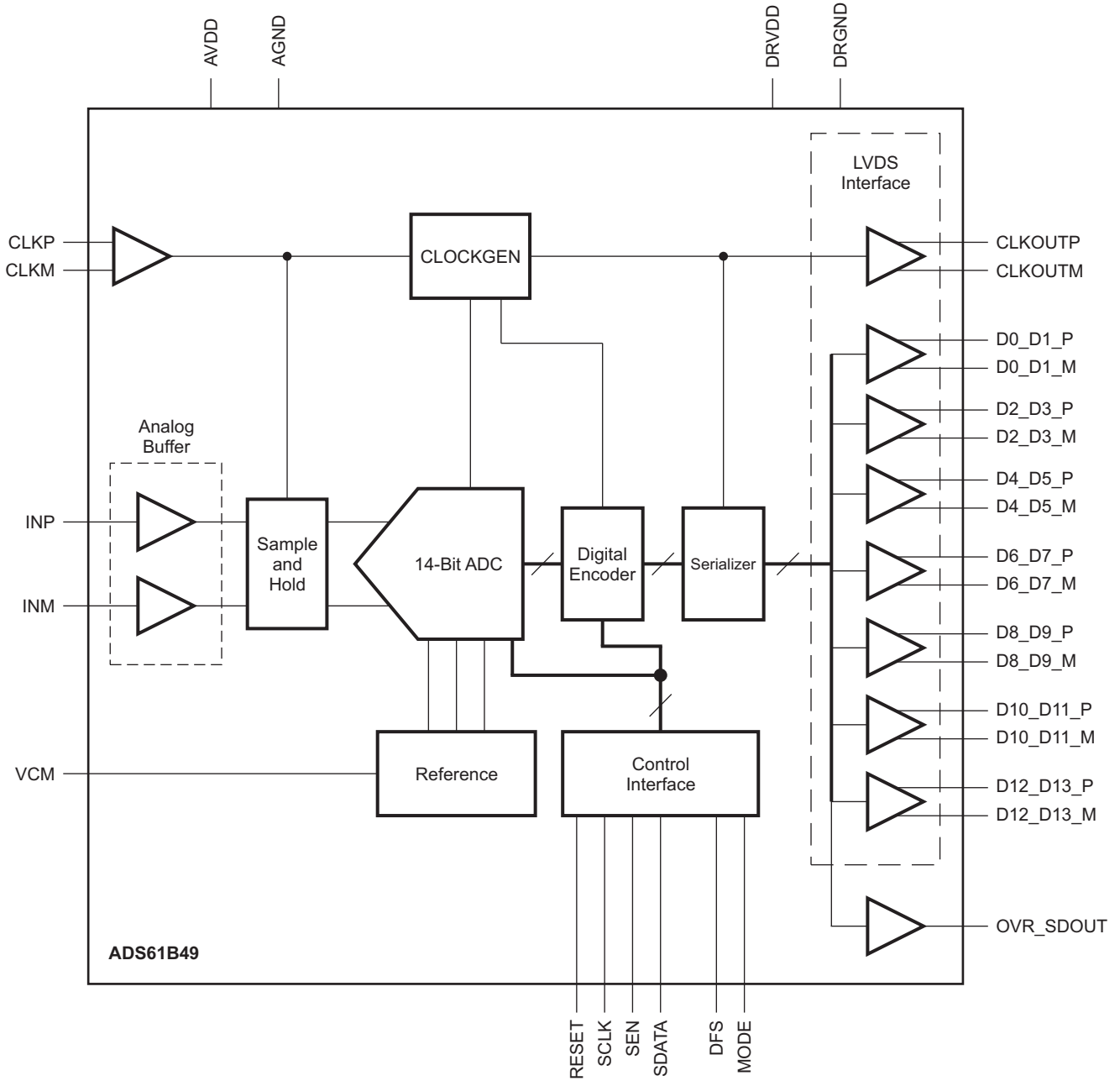


Please be aware that an important notice concerning availability, standard warranty, and use in critical applications of Texas Instruments semiconductor products and disclaimers thereto appears at the end of this data sheet.



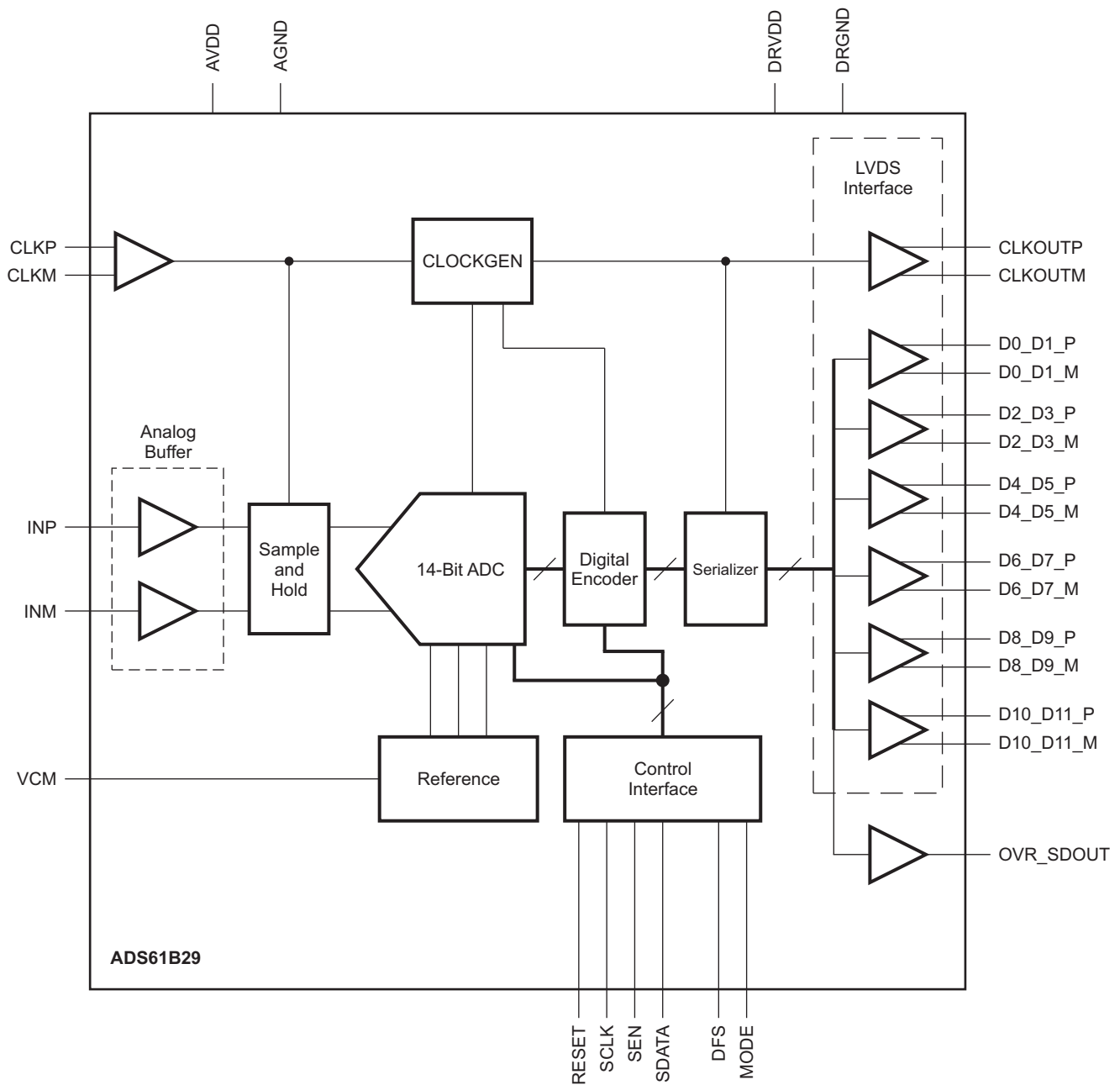
These devices have limited built-in ESD protection. The leads should be shorted together or the device placed in conductive foam during storage or handling to prevent electrostatic damage to the MOS gates.

**ADS61B49 BLOCK DIAGRAM**



B0095-08

ADS61B29 BLOCK DIAGRAM



B0095-09

**PACKAGE/ORDERING INFORMATION<sup>(1)(2)</sup>**

| PRODUCT  | PACKAGE-LEAD | PACKAGE DESIGNATOR | SPECIFIED TEMPERATURE RANGE | LEAD/BALL FINISH | PACKAGE MARKING | ORDERING NUMBER | TRANSPORT MEDIA, QUANTITY |
|----------|--------------|--------------------|-----------------------------|------------------|-----------------|-----------------|---------------------------|
| ADS61B49 | QFN-48       | RGZ                | -40°C to 85°C               | Cu NiPdAu        | AZ61B49         | ADS61B49IRGZR   | Tape and reel             |
|          |              |                    |                             |                  |                 | ADS61B49IRGZT   |                           |
| ADS61B29 | QFN-48       | RGZ                | -40°C to 85°C               | Cu NiPdAu        | AZ61B29         | ADS61B29IRGZR   | Tape and reel             |
|          |              |                    |                             |                  |                 | ADS61B29IRGZT   |                           |

- (1) For thermal pad size on the package, see the mechanical drawings at the end of this data sheet.  $\theta_{JA} = 25.41^\circ \text{C/W}$  (0LFM air flow),  $\theta_{JC} = 16.5^\circ \text{C/W}$  when used with 2oz. copper trace and pad soldered directly to a JEDEC standard four layer 3 in x 3 in (7.62 cm x 7.62 cm) PCB.
- (2) For the most current package and ordering information, see the Package Option Addendum at the end of this document, or see the TI website at www.ti.com.

**ABSOLUTE MAXIMUM RATINGS<sup>(1)</sup>**

over operating free-air temperature range (unless otherwise noted)

|   | VALUE                             | UNIT |
|---|-----------------------------------|------|
| Supply Voltage, AVDD  | -0.3 to 3.9                       | V    |
| Supply Voltage, DRVDD   | -0.3 to 2.2                       | V    |
| Voltage between AGND and DRGND  | -0.3 to 0.3                       | V    |
| Voltage between AVDD to DRVDD (when AVDD leads DRVDD)   | 0 to 3.3                          | V    |
| Voltage between DRVDD to AVDD (when DRVDD leads AVDD)   | -1.5 to 1.8                       | V    |
| Voltage applied to analog input pins - INP, INM   | -0.3 to minimum (3.6, AVDD + 0.3) | V    |
| Voltage applied to input pins - CLKP, CLKM <sup>(2)</sup> , RESET, SCLK, SDATA, SEN, DFS and MODE | -0.3 to (AVDD + 0.3)              | V    |
| T <sub>A</sub> Operating free-air temperature range   | -40 to 85                         | °C   |
| T <sub>J</sub> Max Operating junction temperature   | 125                               | °C   |
| T <sub>stg</sub> Storage temperature range  | -65 to 150                        | °C   |

- (1) Stresses beyond those listed under *absolute maximum ratings* may cause permanent damage to the device. These are stress ratings only and functional operation of the device at these or any other conditions beyond those indicated under *recommended operating conditions* is not implied. Exposure to absolute maximum rated conditions for extended periods may affect device reliability.
- (2) When AVDD is turned off, it is recommended to switch off the input clock (or ensure the voltage on CLKP, CLKM is < 0.3V.) This prevents the ESD protection diodes at the clock input pins from turning on.

**RECOMMENDED OPERATING CONDITIONS**

over operating free-air temperature range (unless otherwise noted)

|   | MIN                               | NOM      | MAX | UNIT            |
|---|-----------------------------------|----------|-----|-----------------|
| <b>SUPPLIES</b>   |                                   |          |     |                 |
| AVDD Analog supply voltage  | 3                                 | 3.3      | 3.6 | V               |
| DRVDD Digital supply voltage  | 1.7                               | 1.8      | 1.9 | V               |
| <b>ANALOG INPUTS</b>  |                                   |          |     |                 |
| Differential input voltage range  |                                   | 2        |     | V <sub>pp</sub> |
| Input common-mode voltage (different than ADS6149 family)                           |                                   | 2.3 ±0.1 |     | V               |
| Maximum analog input frequency with 2V <sub>pp</sub> input amplitude <sup>(1)</sup> |                                   | 500      |     | MHz             |
| Maximum analog input frequency with 1V <sub>pp</sub> input amplitude <sup>(1)</sup> |                                   | 800      |     | MHz             |
| <b>CLOCK INPUT</b>  |                                   |          |     |                 |
| Input clock sample rate   | 1                                 |          | 250 | MSPS            |
| Input clock amplitude differential (V <sub>CLKP</sub> -V <sub>CLKM</sub> )          | Sine wave, ac-coupled             | 0.3      | 1.5 | V <sub>pp</sub> |
|   | LVPECL, ac-coupled                |          | 1.6 |                 |
|   | LVDS, ac-coupled                  |          | 0.7 |                 |
|   | LVC MOS, single-ended, ac-coupled |          | 3.3 | V               |

- (1) See the *Theory of Operations* in the applications section.

**RECOMMENDED OPERATING CONDITIONS (continued)**

over operating free-air temperature range (unless otherwise noted)

|                        |  | MIN | NOM | MAX | UNIT               |
|------------------------|--|-----|-----|-----|--------------------|
|                        | Input clock duty cycle   | 40% | 50% | 60% |                    |
| <b>DIGITAL OUTPUTS</b> |  |     |     |     |                    |
| $C_L$                  | Maximum external load capacitance from each output pin to DRGND        |     | 5   |     | pF                 |
| $R_L$                  | Differential load resistance between the LVDS output pairs (LVDS mode) |     | 100 |     | $\Omega$           |
| $T_A$                  | Operating free-air temperature   | -40 |     | 85  | $^{\circ}\text{C}$ |

## ELECTRICAL CHARACTERISTICS – ADS61B49 and ADS61B29

Typical values are at 25°C, AVDD = 3.3 V, DRVDD = 1.8 V, 50% clock duty cycle, –1 dBFS differential analog input, internal reference mode unless otherwise noted.

Min and max values are across the full temperature range  $T_{MIN} = -40^{\circ}\text{C}$  to  $T_{MAX} = 85^{\circ}\text{C}$ , AVDD = 3.3 V, DRVDD = 1.8 V

| PARAMETER           |   | ADS61B49/ADS61B29<br>250 MSPS |       |      | UNIT            |
|---------------------|---|-------------------------------|-------|------|-----------------|
|                     |   | MIN                           | TYP   | MAX  |                 |
| <b>ANALOG INPUT</b> |   |                               |       |      |                 |
|                     | Differential input voltage range  |                               | 2     |      | V <sub>PP</sub> |
|                     | Differential input resistance (at dc), See <a href="#">Figure 62</a>                                  |                               | 10    |      | kΩ              |
|                     | Differential input capacitance, See <a href="#">Figure 63</a>   |                               | 2     |      | pF              |
|                     | Analog input bandwidth  |                               | 750   |      | MHz             |
|                     | Analog Input common-mode current (per input pin)  |                               | 2     |      | μA              |
|                     | VCM common-mode output voltage (different than ADS6149 family)  |                               | 2.3   |      | V               |
|                     | VCM output current capability   |                               | ±4    |      | mA              |
| <b>DC ACCURACY</b>  |   |                               |       |      |                 |
|                     | Offset error  | -15                           | ±2    | +15  | mV              |
|                     | Temperature coefficient of offset error   |                               | 0.005 |      | mV/°C           |
|                     | Variation of offset error with supply   |                               | 0.3   |      | mV/V            |
| E <sub>GREF</sub>   | Gain error due to internal reference inaccuracy alone   | -2.5                          | ±0.2  | +2.5 | %FS             |
| E <sub>GCHAN</sub>  | Gain error of channel alone   |                               | 0.2   |      | %FS             |
|                     | Temperature coefficient of EGCHAN   |                               | .001  |      | Δ%/°C           |
| <b>POWER SUPPLY</b> |   |                               |       |      |                 |
| I <sub>AVDD</sub>   | Analog supply current   |                               | 200   |      | mA              |
| I <sub>DRVDD</sub>  | Output buffer supply current, LVDS interface with 100-Ω external termination                          |                               | 70    |      | mA              |
|                     | Output buffer supply current, CMOS interface F <sub>in</sub> = 3 MHz, 10-pF external load capacitance |                               | 56    |      | mA              |
|                     | Analog power  |                               | 660   | 730  | mW              |
|                     | Digital power LVDS interface  |                               | 130   | 160  | mW              |
|                     | Digital power CMOS interface, F <sub>in</sub> = 3 MHz, 10-pF external load capacitance                |                               | 101   |      | mW              |
|                     | Global power down   |                               | 20    | 75   | mW              |
|                     | Standby   |                               | 120   |      | mW              |

**ELECTRICAL CHARACTERISTICS – ADS61B49 and ADS61B29**

Typical values are at 25°C, AVDD = 3.3 V, DRVDD = 1.8 V, 50% clock duty cycle, –1 dBFS differential analog input, internal reference mode unless otherwise noted.

Min and max values are across the full temperature range T<sub>MIN</sub> = –40°C to T<sub>MAX</sub> = 85°C, AVDD = 3.3 V, DRVDD = 1.8 V

| PARAMETER  |   | ADS61B49<br>250 MSPS |       |      | ADS61B29<br>250 MSPS |      |      | UNIT |     |
|--|---|----------------------|-------|------|----------------------|------|------|------|-----|
|  |   | MIN                  | TYP   | MAX  | MIN                  | TYP  | MAX  |      |     |
| <b>SNR</b><br>Signal-to-noise ratio, LVDS                  | F <sub>in</sub> = 20 MHz                        | 72.3                 |       |      | 70.1                 |      |      | dBFS |     |
|  | F <sub>in</sub> = 80 MHz                        | 72                   |       |      | 69.8                 |      |      |      |     |
|  | F <sub>in</sub> = 100 MHz                       | 71.6                 |       |      | 69.6                 |      |      |      |     |
|  | F <sub>in</sub> = 170 MHz                       | 68.5                 | 70.7  |      | 66.5                 | 69   |      |      |     |
|  | F <sub>in</sub> = 300 MHz                       | 69                   |       |      | 67.8                 |      |      |      |     |
| <b>SINAD</b><br>Signal-to-noise and distortion ratio, LVDS | F <sub>in</sub> = 20 MHz                        | 72.5                 |       |      | 70.3                 |      |      | dBFS |     |
|  | F <sub>in</sub> = 80 MHz                        | 71.8                 |       |      | 69.7                 |      |      |      |     |
|  | F <sub>in</sub> = 100 MHz                       | 71.6                 |       |      | 69.5                 |      |      |      |     |
|  | F <sub>in</sub> = 170 MHz                       | 67.5                 | 70    |      | 65.7                 | 68.4 |      |      |     |
|  | F <sub>in</sub> = 300 MHz                       | 67.1                 |       |      | 66.3                 |      |      |      |     |
| <b>ENOB</b><br>Effective number of bits                    | F <sub>in</sub> = 170 MHz (using SINAD in dBFS) |                      | 11.3  |      |                      | 11.1 |      |      | LSB |
| <b>DNL</b><br>Differential non-linearity                   |   |                      | -0.95 | ±0.4 | 1                    | -0.5 | ±0.2 | 1    | LSB |
| <b>INL</b><br>Integrated non-linearity                     |   |                      | -5    | ±2   | 5                    | -2.5 | ±1   | 2.5  | LSB |

**ELECTRICAL CHARACTERISTICS – ADS61B49 and ADS61B29**

Typical values are at 25°C, AVDD = 3.3 V, DRVDD = 1.8 V, 50% clock duty cycle, –1 dBFS differential analog input, internal reference mode unless otherwise noted.

Min and max values are across the full temperature range T<sub>MIN</sub> = –40°C to T<sub>MAX</sub> = 85°C, AVDD = 3.3 V, DRVDD = 1.8 V

| PARAMETER   |   | ADS61B49/ADS61B29<br>250 MSPS |     |     | UNIT         |
|---|---|-------------------------------|-----|-----|--------------|
|   |   | MIN                           | TYP | MAX |              |
| <b>SFDR</b><br>Spurious free dynamic range              | F <sub>in</sub> = 20 MHz  |                               | 92  |     | dBc          |
|   | F <sub>in</sub> = 80 MHz  |                               | 86  |     |              |
|   | F <sub>in</sub> = 100 MHz   |                               | 86  |     |              |
|   | F <sub>in</sub> = 170 MHz (all spurs/harmonics)                               | 74                            | 84  |     |              |
|   | F <sub>in</sub> = 170 MHz (excluding 2nd harmonic)                            | 77                            | 87  |     |              |
|   | F <sub>in</sub> = 300 MHz   |                               | 76  |     |              |
| <b>THD</b><br>Total harmonic distortion                 | F <sub>in</sub> = 20 MHz  |                               | 89  |     | dBc          |
|   | F <sub>in</sub> = 80 MHz  |                               | 83  |     |              |
|   | F <sub>in</sub> = 100 MHz   |                               | 82  |     |              |
|   | F <sub>in</sub> = 170 MHz   | 72                            | 79  |     |              |
|   | F <sub>in</sub> = 300 MHz   |                               | 73  |     |              |
| <b>HD2</b> ,<br>Second harmonic distortion              | F <sub>in</sub> = 20 MHz  |                               | 94  |     | dBc          |
|   | F <sub>in</sub> = 80 MHz  |                               | 90  |     |              |
|   | F <sub>in</sub> = 100 MHz   |                               | 88  |     |              |
|   | F <sub>in</sub> = 170 MHz   | 74                            | 84  |     |              |
|   | F <sub>in</sub> = 300 MHz   |                               | 76  |     |              |
| <b>HD3</b><br>Third harmonic distortion                 | F <sub>in</sub> = 20 MHz  |                               | 93  |     | dBc          |
|   | F <sub>in</sub> = 80 MHz  |                               | 86  |     |              |
|   | F <sub>in</sub> = 100 MHz   |                               | 85  |     |              |
|   | F <sub>in</sub> = 170 MHz   | 77                            | 87  |     |              |
|   | F <sub>in</sub> = 300 MHz   |                               | 76  |     |              |
| <b>Worst Spur</b><br>Other than second, third harmonics | F <sub>in</sub> = 20 MHz  |                               | 96  |     | dBc          |
|   | F <sub>in</sub> = 80 MHz  |                               | 94  |     |              |
|   | F <sub>in</sub> = 100 MHz   |                               | 94  |     |              |
|   | F <sub>in</sub> = 170 MHz   | 80                            | 92  |     |              |
|   | F <sub>in</sub> = 300 MHz   |                               | 90  |     |              |
| <b>IMD</b><br>2-tone inter-modulation distortion        | F1 = 46 MHz, F2 = 50 MHz,<br>Each tone at –7 dBFS                             |                               | 94  |     | dBFS         |
|   | F1 = 185 MHz, F2 = 190 MHz,<br>Each tone at –7 dBFS                           |                               | 90  |     |              |
| Input overload recovery                                 | Recovery to within 1% (of final value) for 6-dB overload with sine wave input |                               | 1   |     | Clock Cycles |
| <b>PSRR</b><br>AC power supply rejection ratio          | For 100-mV <sub>pp</sub> signal on AVDD supply                                |                               | 25  |     | dB           |

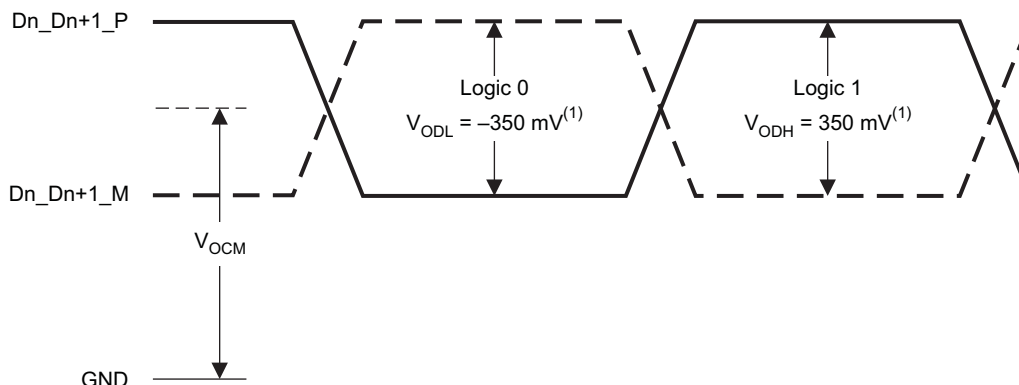


## DIGITAL CHARACTERISTICS – ADS61B49 and ADS61B29

The DC specifications refer to the condition where the digital outputs are not switching, but are permanently at a valid logic level 0 or 1. AVDD = 3.3 V, DRVDD = 1.8 V

| PARAMETER   | TEST CONDITIONS  | ADS61B49/ADS61B29         |       |      | UNIT          |
|---|--|---------------------------|-------|------|---------------|
|   |  | MIN                       | TYP   | MAX  |               |
| <b>DIGITAL INPUTS – RESET, SCLK, SDATA, SEN<sup>(1)</sup></b>                         |  |                           |       |      |               |
| High-level input voltage  | All digital inputs support 1.8-V and 3.3-V CMOS logic levels | 1.3                       |       |      | V             |
| Low-level input voltage   |  | 0.4                       |       |      | V             |
| High-level input current  | SDATA, SCLK <sup>(2)</sup>                                   | $V_{High} = 3.3\text{ V}$ |       |      | $\mu\text{A}$ |
|   | SEN <sup>(3)</sup>   | $V_{High} = 3.3\text{ V}$ |       |      |               |
| Low-level input current   | SDATA, SCLK  | $V_{Low} = 0\text{ V}$    |       |      | $\mu\text{A}$ |
|   | SEN  | $V_{Low} = 0\text{ V}$    |       |      |               |
| Input capacitance   |  | 4                         |       |      | pF            |
| <b>DIGITAL OUTPUTS – CMOS INTERFACE (Pins D0 to D13 and OVR_SDOUT)</b>                |  |                           |       |      |               |
| High-level output voltage   | with $I_{OH} = 1\text{ mA}$                                  | DRVDD<br>-0.1             | DRVDD |      | V             |
| Low-level output voltage  | with $I_{OL} = 1\text{ mA}$                                  |                           | 0     | 0.1  | V             |
| Output capacitance (internal to device)   |  | 2                         |       |      | pF            |
| <b>DIGITAL OUTPUTS – LVDS INTERFACE (Pins D0_D1_P/M to D12_D13_P/M)<sup>(4)</sup></b> |  |                           |       |      |               |
| $V_{ODH}$ , High-level output voltage <sup>(5)</sup>                                  |  | 275                       | 350   | 425  | mV            |
| $V_{ODL}$ , Low-level output voltage <sup>(5)</sup>                                   |  | -425                      | -350  | -275 | mV            |
| $V_{OCM}$ , Common-mode output voltage  | Capacitance inside the device, from either output to ground  | 1                         | 1.2   | 1.3  | V             |
| Output capacitance  |  | 2                         |       |      | pF            |

- (1) SCLK, SDATA, SEN function as digital input pins in serial configuration mode.
- (2) SDATA, SCLK have internal 200-k $\Omega$  pull-down resistor.
- (3) SEN has internal 100-k $\Omega$  pull-up resistor to AVDD.
- (4) OVR\_SDOUT has CMOS output logic levels, determined by DRVDD voltage.
- (5) With external 100- $\Omega$  termination



T0399-01

Figure 1. LVDS Voltage Levels

## TIMING REQUIREMENTS – LVDS AND CMOS MODES<sup>(1)</sup>

Typical values are at 25°C, AVDD = 3.3 V, DRVDD = 1.8 V, sampling frequency = 250 MSPS, sine wave input clock, C<sub>LOAD</sub> = 5 pF<sup>(2)</sup>, R<sub>LOAD</sub> = 100 Ω<sup>(3)</sup>, Low Speed mode disabled, unless otherwise noted.

Min and max values are across the full temperature range T<sub>MIN</sub> = –40°C to T<sub>MAX</sub> = 85°C, AVDD = 3.3 V, DRVDD = 1.7 V to 1.9 V.

| PARAMETER                                      | TEST CONDITIONS  | MIN  | TYP | MAX  | UNIT         |     |    |
|--|--|--|-----|--|--------------|-----|----|
| t <sub>a</sub>                                 | Aperture delay   | 0.7  | 1.2 | 1.7  | ns           |     |    |
| t <sub>j</sub>                                 | Aperture jitter  |  | 170 |  | fs rms       |     |    |
| Wake-up time                                   | Time to valid data after coming out of STANDBY mode              |  | 0.3 | 1  | μs           |     |    |
|  | Time to valid data after coming out of PDN GLOBAL mode           |  | 25  | 100  |              |     |    |
|  | Time to valid data after stopping and restarting the input clock |  | 10  |  | Clock Cycles |     |    |
| ADC Latency <sup>(4)</sup>                     | Default, after reset   |  | 18  |  | Clock Cycles |     |    |
| <b>DDR LVDS MODE<sup>(5)</sup></b>             |  |  |     |  |              |     |    |
| t <sub>su</sub>                                | Data setup time  | Data valid <sup>(6)</sup> to zero-crossing of CLKOUTP  |     | 0.8  | 1.2          | ns  |    |
| t <sub>h</sub>                                 | Data hold time   | Zero-crossing of CLKOUT to data becoming invalid <sup>(6)</sup>  |     | 0.25                                       | 0.6          | ns  |    |
| t <sub>PDI</sub>                               | Clock propagation delay  | Input clock rising edge cross-over to output clock rising edge cross-over<br>100 MSPS ≤ Sampling frequency ≤ 250 MSPS                  |     | 0.2 × t <sub>s</sub> + t <sub>delay</sub>  |              | ns  |    |
| t <sub>delay</sub>                             |  |  |     | 5  | 6.2          | 7.5 | ns |
|  | LVDS bit clock duty cycle  | Duty cycle of differential clock, (CLKOUTP–CLKOUTM)<br>100 MSPS ≤ Sampling frequency ≤ 250 MSPS  |     | 52%  |              |     |    |
| t <sub>RISE</sub> ,<br>t <sub>FALL</sub>       | Data rise time,<br>Data fall time                                | Rise time measured from –100 mV to 100 mV<br>Fall time measured from 100 mV to –100 mV<br>1 MSPS ≤ Sampling frequency ≤ 250 MSPS       |     | 0.08                                       | 0.14         | 0.2 | ns |
| t <sub>CLKRISE</sub> ,<br>t <sub>CLKFALL</sub> | Output clock rise time,<br>Output clock fall time                | Rise time measured from –100 mV to 100 mV<br>Fall time measured from 100 mV to –100 mV<br>1 MSPS ≤ Sampling frequency ≤ 250 MSPS       |     | 0.08                                       | 0.14         | 0.2 | ns |
| t <sub>OE</sub>                                | Output enable (OE) to data delay                                 | Time to valid data after OE becomes active   |     | 40   |              | ns  |    |
| <b>PARALLEL CMOS MODE<sup>(7)</sup></b>        |  |  |     |  |              |     |    |
| t <sub>START</sub>                             | Input clock to data delay  | Input clock rising edge cross-over to start of data valid <sup>(8)</sup>   |     | 3.2  |              | ns  |    |
| t <sub>DV</sub>                                | Data valid time  | Time interval of valid data <sup>(8)</sup>   |     | 0.7  | 1.5          | ns  |    |
| t <sub>PDI</sub>                               | Clock propagation delay  | Input clock rising edge cross-over to output clock rising edge cross-over<br>100 MSPS ≤ Sampling frequency ≤ 150 MSPS                  |     | 0.78 × t <sub>s</sub> + t <sub>delay</sub> |              | ns  |    |
| t <sub>delay</sub>                             |  |  |     | 5  | 6.5          | 8   | ns |
|  | Output clock duty cycle  | Duty cycle of differential clock, (CLKOUT)<br>100 MSPS ≤ Sampling frequency ≤ 150 MSPS   |     | 50%  |              |     |    |
| t <sub>RISE</sub> ,<br>t <sub>FALL</sub>       | Data rise time,<br>Data fall time                                | Rise time measured from 20% to 80% of DRVDD,<br>Fall time measured from 80% to 20% of DRVDD,<br>1 MSPS ≤ Sampling frequency ≤ 250 MSPS |     | 0.7  | 1.2          | 2   | ns |
| t <sub>CLKRISE</sub> ,<br>t <sub>CLKFALL</sub> | Output clock rise time,<br>Output clock fall time                | Rise time measured from 20% to 80% of DRVDD,<br>Fall time measured from 80% to 20% of DRVDD,<br>1 MSPS ≤ Sampling frequency ≤ 150 MSPS |     | 0.5  | 1            | 1.5 | ns |
| t <sub>OE</sub>                                | Output enable (OE) to data delay                                 | Time to valid data after OE becomes active   |     | 20   |              | ns  |    |

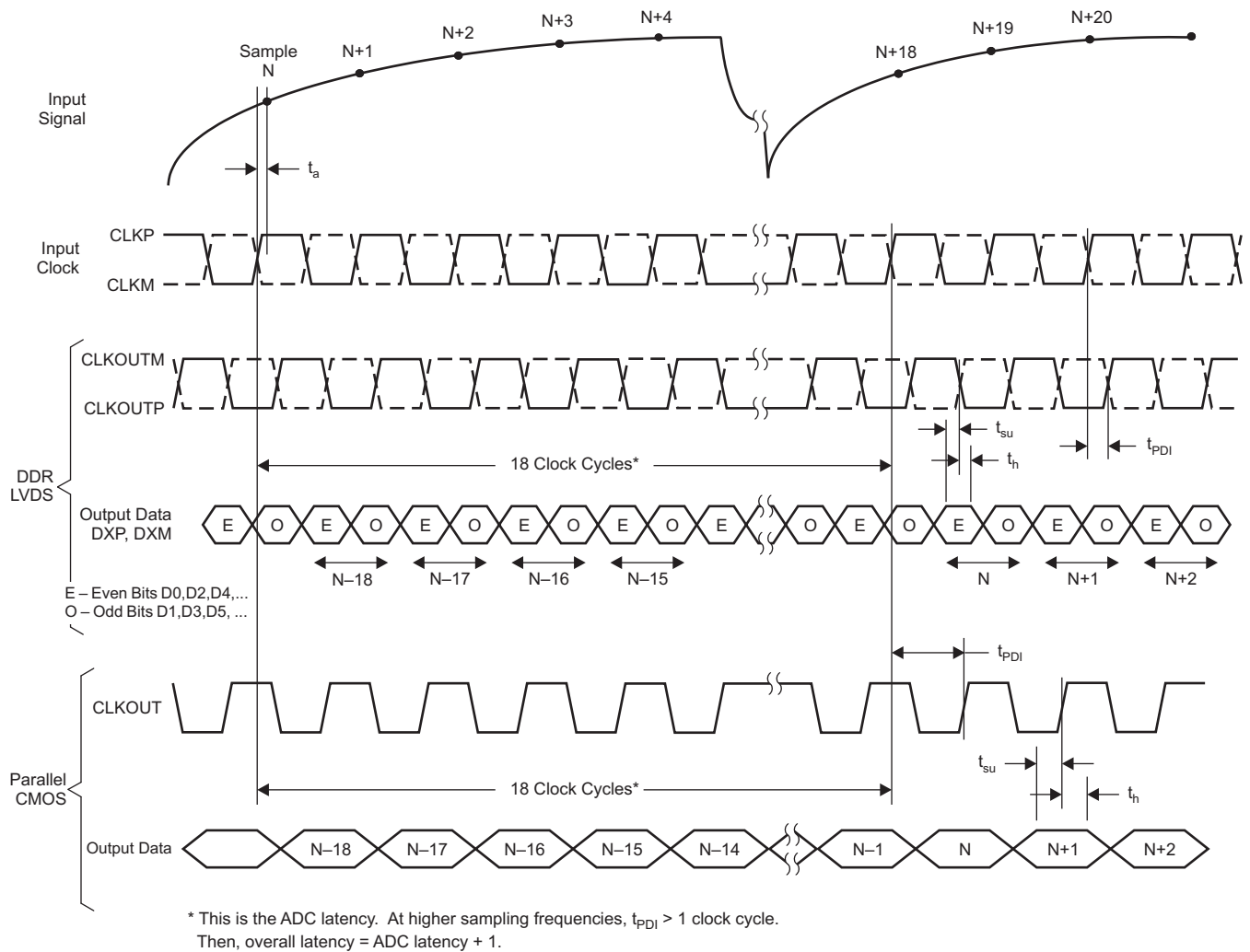
- (1) Timing parameters are specified by design and characterization and not tested in production.
- (2) C<sub>LOAD</sub> is the effective external single-ended load capacitance between each output pin and ground
- (3) R<sub>LOAD</sub> is the differential load resistance between the LVDS output pair.
- (4) At higher frequencies, t<sub>PDI</sub> is greater than one clock period and overall latency = ADC latency + 1.
- (5) Measurements are done with a transmission line of 100-Ω characteristic impedance between the device and the load. Setup and hold time specifications take into account the effect of jitter on the output data and clock.
- (6) Data valid refers to logic high of +100 mV and logic low of –100 mV.
- (7) For F<sub>s</sub> > 150 MSPS, it is recommended to use external clock for data capture and NOT the device output clock signal (CLKOUT).
- (8) Data valid refers to logic high of 1.26 V and logic low of 0.54 V.

**LVDS Timings at Lower Sampling Frequencies**

| SAMPLING FREQUENCY, MSPS                                  | SETUP TIME, ns |     |     | HOLD TIME, ns              |     |     |
|---|----------------|-----|-----|----------------------------|-----|-----|
|   | MIN            | TYP | MAX | MIN                        | TYP | MAX |
| 210   | 1.0            | 1.4 |     | 0.4                        | 0.8 |     |
| 190   | 1.1            | 1.5 |     | 0.5                        | 0.9 |     |
| 170   | 1.3            | 1.7 |     | 0.7                        | 1.1 |     |
| 150   | 1.6            | 1.9 |     | 0.9                        | 1.2 |     |
| 125   | 1.9            | 2.2 |     | 1.1                        | 1.4 |     |
| <100<br><i>Enable low speed mode</i>                      | 2.5            |     |     | 2.0                        |     |     |
|   |                |     |     | <b>t<sub>PDJ</sub>, ns</b> |     |     |
|   |                |     |     | MIN                        | TYP | MAX |
| 1 ≤ F <sub>s</sub> ≤ 100,<br><i>Enable low speed mode</i> |                |     |     |                            | 8.2 |     |

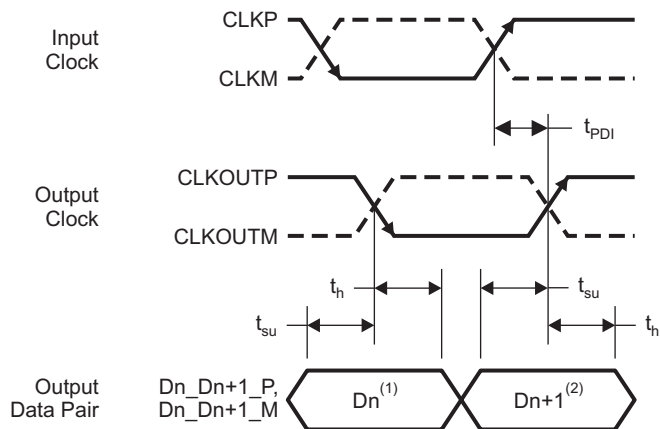
**CMOS Timings at Lower Sampling Frequencies**

| SAMPLING FREQUENCY, MSPS                                 | TIMINGS SPECIFIED WITH RESPECT TO INPUT CLOCK |     |     |                            |     |     |
|--|---|-----|-----|----------------------------|-----|-----|
|  | t <sub>START</sub> , ns                       |     |     | DATA VALID TIME, ns        |     |     |
|  | MIN   | TYP | MAX | MIN                        | TYP | MAX |
| 210  |   |     | 1.7 | 1.6                        | 2.4 |     |
| 190  |   |     | 0.4 | 2.2                        | 3.0 |     |
| 170  |   |     | 5.1 | 2.4                        | 3.6 |     |
| 150  |   |     | 4.8 | 3.0                        | 4.3 |     |
| SAMPLING FREQUENCY, MSPS                                 | TIMINGS SPECIFIED WITH RESPECT TO CLKOUT      |     |     |                            |     |     |
|  | SETUP TIME, ns                                |     |     | HOLD TIME, ns              |     |     |
|  | MIN   | TYP | MAX | MIN                        | TYP | MAX |
| 150  | 2.0   | 3.2 |     | 1.5                        | 2.2 |     |
| 125  | 2.9   | 4   |     | 2.2                        | 2.7 |     |
| <100<br><i>Enable low speed mode</i>                     | 5.0   |     |     | 3.8                        |     |     |
|  |   |     |     | <b>t<sub>PDJ</sub>, ns</b> |     |     |
|  |   |     |     | MIN                        | TYP | MAX |
| 1 ≤ F <sub>s</sub> ≤ 100<br><i>Enable low speed mode</i> |   |     |     |                            | 14  |     |



T0105-10

Figure 2. Latency Diagram

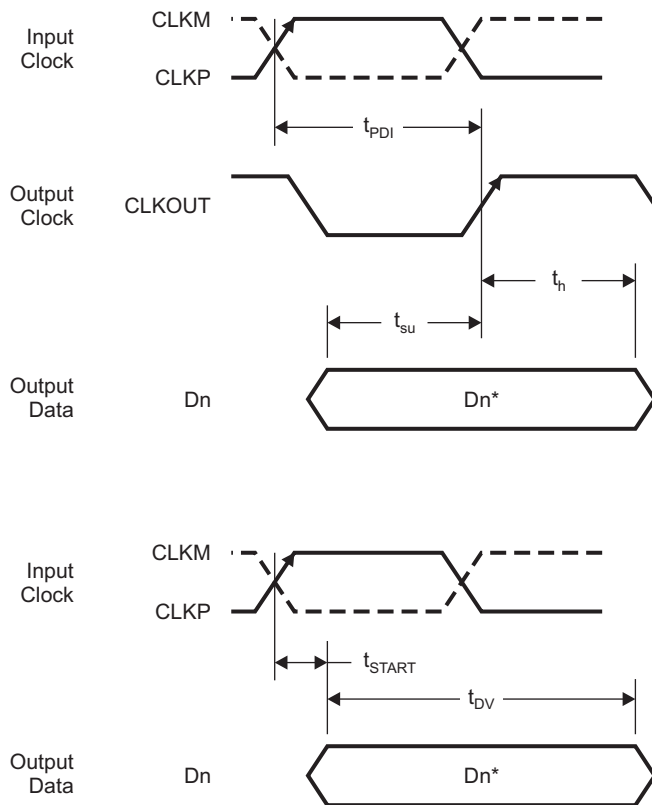


<sup>(1)</sup>Dn – Bits D0, D2, D4,...

<sup>(2)</sup>Dn+1 – Bits D1, D3, D5, ...

T0106-07

Figure 3. LVDS Mode Timing



\*Dn – Bits D0, D1, D2, ...

T0107-05

Figure 4. CMOS Mode Timing

## DEVICE CONFIGURATION

The ADS61B49/29 can be configured independently using either parallel interface control or serial interface programming.

### PARALLEL CONFIGURATION ONLY

To put the device in parallel configuration mode, keep RESET tied to high (DRVDD).

Now, pins DFS, MODE, SEN, and SDATA can be used to directly control certain modes of the ADC. The device can be easily configured by connecting the parallel pins to the correct voltage levels (as described in [Table 3](#) to [Table 6](#)). There is no need to apply reset.

In this mode, SEN and SDATA function as parallel interface control pins. Frequently used functions can be controlled in this mode – standby, selection between LVDS/CMOS output formats, 2s complement/straight binary output format, and position of the output clock edge.

[Table 1](#) briefly describes the modes controlled by the parallel pins.

**Table 1. Parallel Pin Functions**

| PIN   | TYPE OF CONTROL | CONTROL MODES  |
|-------|-----------------|--|
| DFS   | Analog          | Data format and LVDS/CMOS output interface.  |
| MODE  | Analog          | In the ADS61B49/B29, external reference is not supported. Prior use of the MODE pin in the ADS6149/29 family is therefore not the same in the ADS61B49/B29 family. In the next generation pin-compatible ADC family, MODE is converted to a digital control pin for certain reserved functions. The MODE pin can be routed to a digital controller for possible future migration to a next generation ADC. |
| SEN   | Analog          | CLKOUT edge programmability.   |
| SDATA | Digital         | Global power down (ADC, internal references and output buffers are powered down)   |

### SERIAL INTERFACE CONFIGURATION ONLY

To exercise this mode, first the serial registers have to be reset to their default values and the RESET pin has to be kept low.

SEN, SDATA, and SCLK function as serial interface pins in this mode and can be used to access the internal registers of the ADC.

The registers can be reset either by applying a pulse on the RESET pin or by setting the <RESET> bit (D7 in register 0x00) high. The serial interface section describes register programming and register reset in more detail.

Since the parallel pin DFS is not to be used in this mode, it has to be tied to ground.

## CONFIGURATION USING BOTH THE SERIAL INTERFACE AND PARALLEL CONTROLS

For increased flexibility, an additional configuration mode is supported wherein a combination of serial interface registers and parallel pin control (DFS) can be used to configure the device.

To exercise this mode, the serial registers have to be reset to their default values and the RESET pin has to be kept low.

SEN, SDATA, and SCLK function as serial interface pins in this mode and can be used to access the internal registers of ADC. The registers can be reset either by applying a pulse on the RESET pin or by setting the <RESET> bit (D7 in register 0x00) high. The serial interface section describes register programming and register reset in more detail.

The parallel interface control pin DFS can be used and its function is determined by the appropriate voltage levels as described in [Table 3](#). The voltage levels can be easily derived, by using a resistor string as illustrated with an example as shown in [Figure 5](#).

Since some functions can be controlled using both the parallel pins and serial registers, the priority between the two is determined by a priority table as listed in [Table 2](#).

**Table 2. Priority Between Parallel Pins and Serial Registers**

| FUNCTION                         | PRIORITY   |
|----------------------------------|--|
| Int/ext reference - not used     | MODE is not used in this device (legacy from the ADS6149 and future family this pin could be redefined)                      |
| Data format selection            | DFS pin controls this selection ONLY if the register bits <DATA FORMAT> = 00, otherwise <DATA FORMAT> controls the selection |
| LVDS or CMOS interface selection | DFS pin controls this selection ONLY if the register bits <LVDS CMOS> = 00, otherwise <LVDS CMOS> controls the selection     |

## DESCRIPTION OF PARALLEL PINS

**Table 3. SDATA – DIGITAL CONTROL PIN**

| SDATA | DESCRIPTION  |
|-------|--|
| 0     | Normal operation (default)   |
| AVDD  | Global power down. ADC, internal references and the output buffers are powered down. |

**Table 4. SEN – ANALOG CONTROL PIN**

| SEN       | DESCRIPTION – OUTPUT CLOCK EDGE PROGRAMMABILITY <sup>(1)</sup>   |
|-----------|--|
| 0         | <b>LVDS:</b> Data and output clock transitions are aligned<br><b>CMOS:</b> Setup time increases by $(6 \times T_s / 26)$ , hold time reduces by $(6 \times T_s / 26)$  |
| (3/8)AVDD | <b>LVDS:</b> Setup time decreases by $(4 \times T_s / 26)$ , hold time increases by $(4 \times T_s / 26)$<br><b>CMOS:</b> Setup time increases by $(9 \times T_s / 26)$ , hold time reduces by $(9 \times T_s / 26)$ |
| (5/8)AVDD | <b>LVDS:</b> Setup time increases by $(4 \times T_s / 26)$ , hold time reduces by $(4 \times T_s / 26)$<br><b>CMOS:</b> Setup time increases by $(3 \times T_s / 26)$ , hold time reduces by $(3 \times T_s / 26)$   |
| AVDD      | Default output clock position (setup/hold timings of output data with respect to this clock position is specified in the timing characteristics table).  |

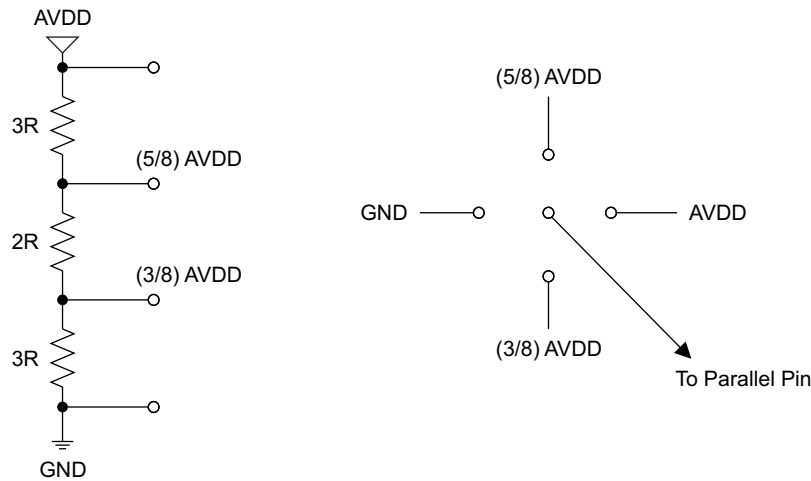
(1)  $T_s = 1 / \text{sampling frequency}$

**Table 5. DFS – ANALOG CONTROL PIN**

| DFS       | DESCRIPTION                                 |
|-----------|---|
| 0         | 2s complement data and DDR LVDS output      |
| (3/8)AVDD | 2s complement data and parallel CMOS output |
| (5/8)AVDD | Offset binary data and parallel CMOS output |
| AVDD      | Offset binary data and DDR LVDS output      |

**Table 6. MODE – ANALOG CONTROL PIN**

| MODE     | DESCRIPTION  |
|----------|--|
| Not used | In the ADS61B49/B29, external reference is not supported. The prior use of the MODE pin in ADS6149/29 family is therefore not the same in the ADS61B49/B29 family. In the next generation pin-compatible ADC family, MODE could be converted to a digital control pin for certain reserved functions. The MODE pin can be routed to a digital controller for possible future migration to a next generation ADC. |



S0321-01

**Figure 5. Simple Scheme to Configure Parallel Pins SEN and SCLK**

## SERIAL INTERFACE

The ADC has a set of internal registers, which can be accessed by the serial interface formed by pins SEN (Serial interface Enable), SCLK (Serial Interface Clock) and SDATA (Serial Interface Data).

Serial shift of bits into the device is enabled when SEN is low. Serial data SDATA is latched at every falling edge of SCLK when SEN is active (low). The serial data is loaded into the register at every 16th SCLK falling edge when SEN is low. In case the word length exceeds a multiple of 16 bits, the excess bits are ignored. Data can be loaded in multiples of 16-bit words within a single active SEN pulse.

The first 8 bits form the register address, and the remaining 8 bits are the register data. The interface can work with a SCLK frequency from 20 MHz down to very low speeds (few hertz) and also with a non-50% SCLK duty cycle.

### Register Initialization

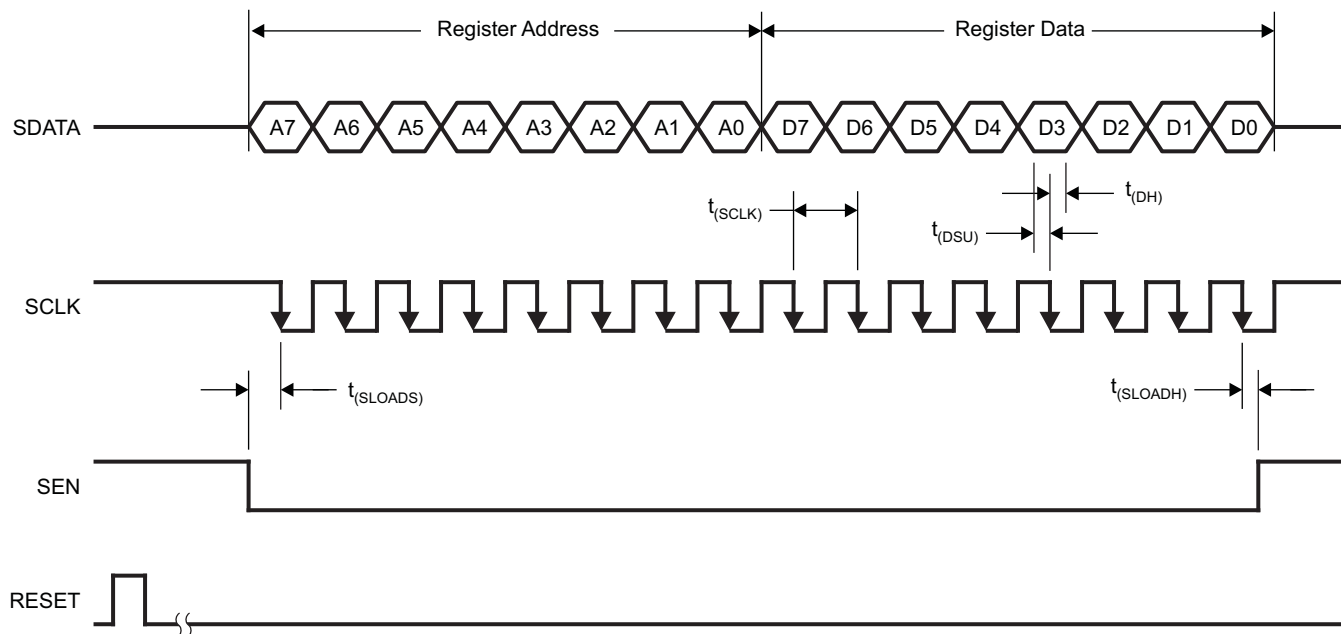
After power-up, the internal registers MUST be initialized to their default values. This can be done in one of two ways:

1. Either through hardware reset by applying a high-going pulse on the RESET pin (of width greater than 10 ns) as shown in [Figure 6](#).

**OR**

2. By applying a software reset. Using the serial interface, set the **<RESET>** bit (D7 in register 0x00) to high. This initializes the internal registers to their default values and then self-resets the **<RESET>** bit to low. In this case the RESET pin is kept low.





T0109-01

Figure 6. Serial Interface Timing

### SERIAL INTERFACE TIMING CHARACTERISTICS

Typical values at 25°C, min and max values across the full temperature range

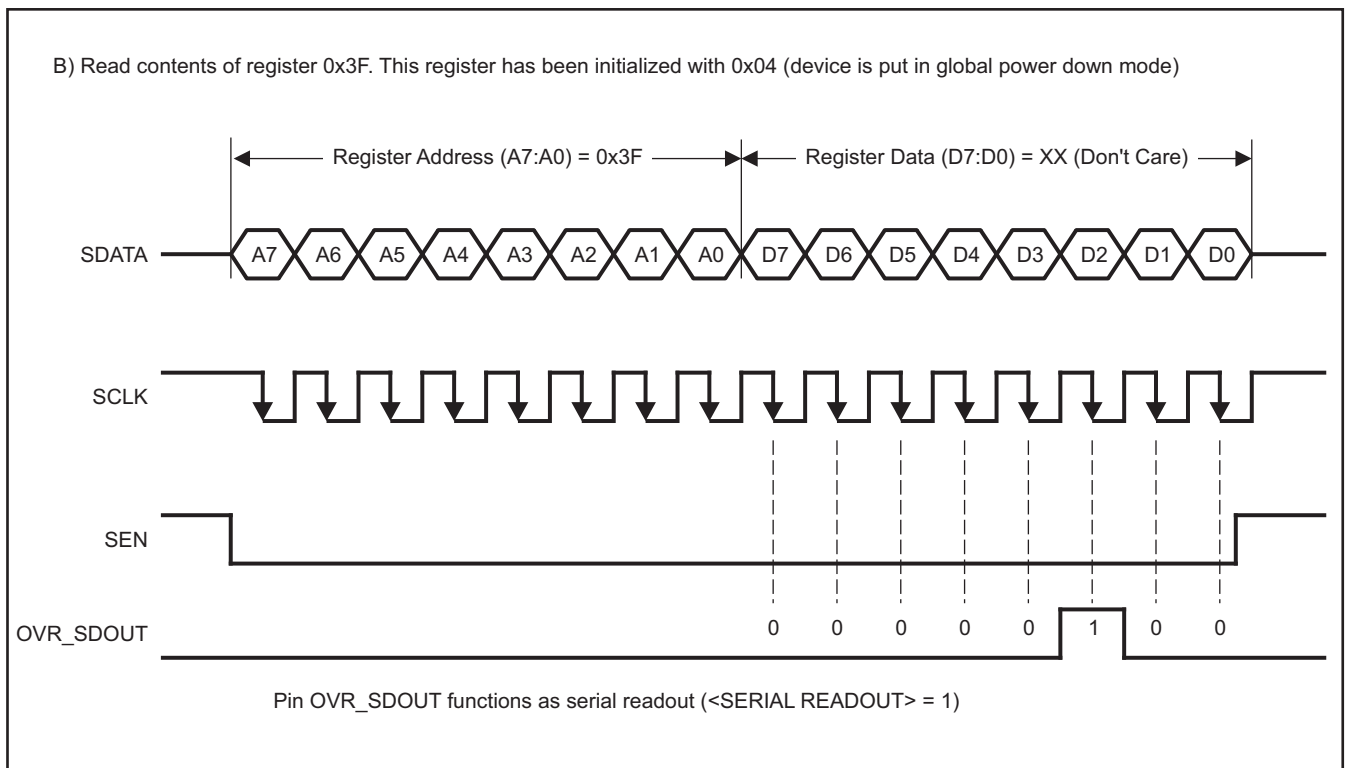
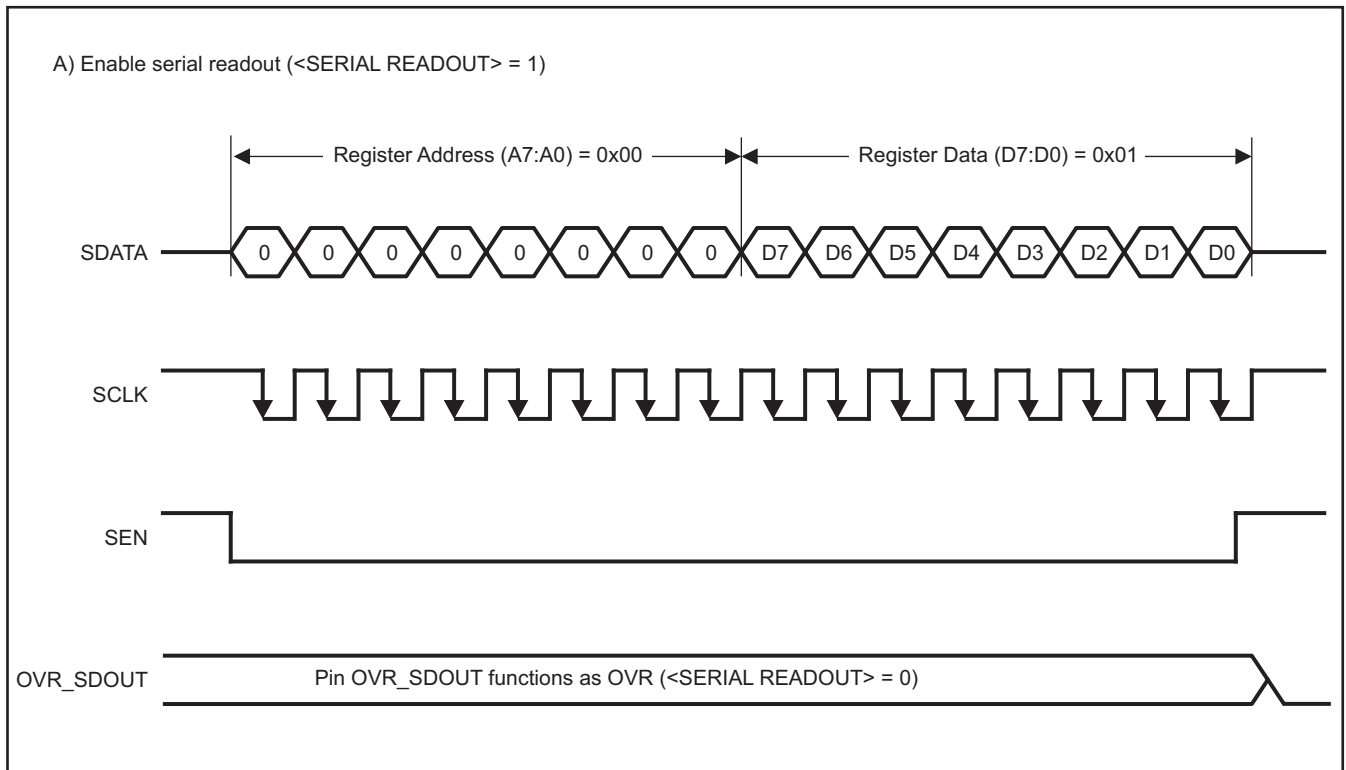
$T_{MIN} = -40^{\circ}\text{C}$  to  $T_{MAX} = 85^{\circ}\text{C}$ ,  $AVDD = 3.3\text{ V}$ ,  $DRVDD = 1.8\text{ V}$ , unless otherwise noted.

| PARAMETER    |                                  | MIN  | TYP | MAX | UNIT |
|--------------|----------------------------------|------|-----|-----|------|
| $f_{SCLK}$   | SCLK frequency (= $1/t_{SCLK}$ ) | > dc |     | 20  | MHz  |
| $t_{SLOADS}$ | SEN to SCLK setup time           | 25   |     |     | ns   |
| $t_{SLOADH}$ | SCLK to SEN hold time            | 25   |     |     | ns   |
| $t_{DS}$     | SDATA setup time                 | 25   |     |     | ns   |
| $t_{DH}$     | SDATA hold time                  | 25   |     |     | ns   |

### SERIAL REGISTER READOUT

The device includes an option where the contents of the internal registers can be read back. This may be useful as a diagnostic check to verify the serial interface communication between the external controller and the ADC.

- First, set register bit <SERIAL READOUT> = 1. This also disables any further writes into the registers (EXCEPT register bit <SERIAL READOUT> itself).
- Initiate a serial interface cycle specifying the address of the register (A7-A0) whose content has to be read.
- The device outputs the contents (D7-D0) of the selected register on the OVR\_SDO pin.
- The external controller can latch the contents at the falling edge of SCLK.
- To enable register writes, reset register bit <SERIAL READOUT> = 0.



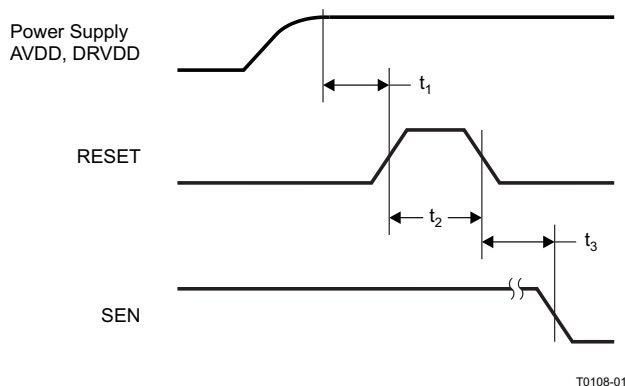
T0386-01

Figure 7. Serial Readout

**RESET TIMING**

Typical values at 25°C, min and max values across the full temperature range  
 $T_{MIN} = -40^{\circ}C$  to  $T_{MAX} = 85^{\circ}C$ , unless otherwise noted.

| PARAMETER                 | TEST CONDITIONS   | MIN | TYP | MAX | UNIT |
|---------------------------|---|-----|-----|-----|------|
| $t_1$ Power-on delay time | Delay from power-up of AVDD and DRVDD to RESET pulse active         |     | 1   |     | ms   |
| $t_2$ Reset pulse width   | Pulse width of active RESET signal that resets the serial registers | 10  |     | 1   | ns   |
| $t_3$ Delay time          | Delay from RESET disable to SEN active                              | 100 |     |     | ns   |



**Figure 8. Reset Timing Diagram**

**SERIAL REGISTER MAP**

**Table 7. Summary of Functions Supported by Serial Interface<sup>(1)</sup>**

| REGISTER ADDRESS | REGISTER FUNCTIONS                             |                      |                            |    |  |   |           |                  |
|------------------|--|----------------------|----------------------------|----|--|---|-----------|------------------|
| A7–A0 IN HEX     | D7   | D6                   | D5                         | D4 | D3   | D2  | D1        | D0               |
| 00               | <RESET><br>Software Reset                      | 0                    | 0                          | 0  | 0  | 0   | 0         | <SERIAL READOUT> |
| 20               | 0  | 0                    | 0                          | 0  | 0  | <ENABLE LOW SPEED MODE>                         | 0         | 0                |
| 3F               | 0  | <REF> (RESERVED)     |                            | 0  | 0  | <PDN GLOBAL>                                    | <STANDBY> | <PDN OBUF>       |
| 41               | <LVDS CMOS><br>Output interface                |                      |                            | 0  | 0  | 0   | 0         | 0                |
| 44               | <CLKOUT POSN><br>Output clock position control |                      |                            |    |  |   | 0         | 0                |
| 50               | 0  | 0                    | 0                          | 0  | 0  | <DATA FORMAT><br>2s complement or offset binary |           | 0                |
| 51               | <CUSTOM PATTERN LOW>                           |                      |                            |    |  |   |           |                  |
| 52               | 0  | 0                    | <CUSTOM PATTERN HIGH>      |    |  |   |           |                  |
| 53               | 0  | <ENABLE OFFSET CORR> | 0                          | 0  | 0  | 0   | 0         | 0                |
| 55               | <FINE GAIN >                                   |                      |                            |    | <OFFSET CORR TIME CONSTANT><br>Offset correction time constant |   |           |                  |
| 62               | 0  | 0                    | 0                          | 0  | 0  | <TEST PATTERNS>                                 |           |                  |
| 63               | 0  | 0                    | <PROGRAM OFFSET PEDESTAL > |    |  |   |           |                  |

(1) Multiple functions in a register can be programmed in a single write operation.

## DESCRIPTION OF SERIAL REGISTERS

### A)

| A7–A0 IN HEX | D7                               | D6 | D5 | D4 | D3 | D2 | D1 | D0               |
|--------------|----------------------------------|----|----|----|----|----|----|------------------|
| 00           | <RESET><br><i>Software Reset</i> | 0  | 0  | 0  | 0  | 0  | 0  | <SERIAL READOUT> |

**D7** <RESET>

1 Software reset applied – resets all internal registers and self-clears to 0.

**D0** <SERIAL READOUT>

0 Serial readout disabled

1 Serial readout enabled, pin OVR\_SDOOUT functions as serial data readout.

### B)

| A7–A0 IN HEX | D7 | D6 | D5 | D4 | D3 | D2                      | D1 | D0 |
|--------------|----|----|----|----|----|-------------------------|----|----|
| 20           | 0  | 0  | 0  | 0  | 0  | <ENABLE LOW SPEED MODE> | 0  | 0  |

**D2** <ENABLE LOW SPEED MODE>

0 Low speed mode disabled. Use for sampling frequency > 100 MSPS

1 Enable low speed mode for sampling frequencies ≤ 100 MSPS.

### C)

| A7–A0 IN HEX | D7 | D6              | D5 | D4 | D3 | D2           | D1        | D0         |
|--------------|----|-----------------|----|----|----|--------------|-----------|------------|
| 3F           | 0  | <REF>(RESERVED) | 0  | 0  | 0  | <PDN GLOBAL> | <STANDBY> | <PDN OBUF> |

**D6,D5** <REF> RESERVED (Not used)

In the ADS61B49/61B29, external reference mode is not supported. See ADS6149/6129 non-buffered ADCs if an external reference is required. This register controls the reference mode in those devices.

**D2** <PDN GLOBAL>

0 Normal operation

1 Total power down – ADC, internal references and output buffers are powered down. Slow wake-up time.

**D1** <STANDBY>

0 Normal operation

1 ADC alone powered down. Internal references, output buffers are active. Quick wake-up time

**D0** <PDN OBUF> Power down output buffer

0 Output buffer enabled

1 Output buffer powered down

### D)

| A7–A0 IN HEX | D7          | D6 | D5 | D4 | D3 | D2 | D1 | D0 |
|--------------|-------------|----|----|----|----|----|----|----|
| 41           | <LVDS CMOS> |    | 0  | 0  | 0  | 0  | 0  | 0  |

**D7,D6** <LVDS CMOS>

00 DFS pin controls LVDS or CMOS interface selection

10 DDR LVDS interface

11 Parallel CMOS interface

### E)

| A7–A0 IN HEX | D7   | D6 | D5 | D4 | D3 | D2 | D1 | D0 |
|--------------|--|----|----|----|----|----|----|----|
| 44           | <CLKOUT POSN> <i>Output clock position control</i> |    |    |    |    |    | 0  | 0  |

**LVDS Interface**
**D7-D5 <CLKOUT POSN> Output clock rising edge position**

|     |   |
|-----|---|
| 000 | Default output clock position (refer to timing specification table) |
| 100 | Default output clock position (refer to timing specification table) |
| 101 | Rising edge shifted by + (4/26) $T_s$                               |
| 110 | Rising edge aligned with data transition                            |
| 111 | Rising edge shifted by - (4/26) $T_s$                               |

**D4-D2 <CLKOUT POSN> Output clock falling edge position**

|     |   |
|-----|---|
| 000 | Default output clock position (refer to timing specification table) |
| 100 | Default output clock position (refer to timing specification table) |
| 101 | Falling edge shifted by + (4/26) $T_s$                              |
| 110 | Falling edge aligned with data transition                           |
| 111 | Falling edge shifted by - (4/26) $T_s$                              |

**CMOS Interface**
**D7-D5 <CLKOUT POSN> Output clock rising edge position**

|     |   |
|-----|---|
| 000 | Default output clock position (refer to timing specification table) |
| 100 | Default output clock position (refer to timing specification table) |
| 101 | Rising edge shifted by + (4/26) $T_s$                               |
| 110 | Rising edge shifted by + (6/26) $T_s$                               |
| 111 | Rising edge aligned with data transition                            |

**D4-D2 <CLKOUT POSN> Output clock falling edge position**

|     |   |
|-----|---|
| 000 | Default output clock position (refer to timing specification table) |
| 100 | Default output clock position (refer to timing specification table) |
| 101 | Falling edge shifted by + (4/26) $T_s$                              |
| 110 | Falling edge shifted by + (6/26) $T_s$                              |
| 111 | Falling edge aligned with data transition                           |

**F)**

| A7-A0 IN HEX | D7 | D6 | D5 | D4 | D3 | D2  | D1 | D0 |
|--------------|----|----|----|----|----|---|----|----|
| 50           | 0  | 0  | 0  | 0  | 0  | <DATA FORMAT> 2s<br>complement or offset binary |    | 0  |

**D2,D1 <DATA FORMAT>**

|    |  |
|----|--|
| 00 | DFS pin controls data format selection |
| 10 | 2s complement                          |
| 11 | Offset binary                          |

**G)**

| A7-A0 IN HEX | D7            | D6 | D5 | D4 | D3 | D2 | D1 | D0 |
|--------------|---------------|----|----|----|----|----|----|----|
| 51           | <Custom LOW>  |    |    |    |    |    |    |    |
| 52           | <Custom HIGH> |    |    |    |    |    |    |    |

**D7-D0 <CUSTOM LOW>**

8 lower bits of custom pattern available at the output instead of ADC data.

**D5-D0 <CUSTOM HIGH>**

6 upper bits of custom pattern available at the output instead of ADC data

H)

| A7–A0 IN HEX | D7 | D6  | D5 | D4 | D3 | D2 | D1 | D0 |
|--------------|----|---|----|----|----|----|----|----|
| 53           | 0  | <ENABLE OFFSET CORR><br><i>Offset correction enable</i> | 0  | 0  | 0  | 0  | 0  | 0  |

**D6**     <ENABLE OFFSET CORR>  
 0     Offset correction disabled  
 1     Offset correction enabled

I)

| A7–A0 IN HEX | D7          | D6 | D5 | D4 | D3  | D2 | D1 | D0 |
|--------------|-------------|----|----|----|---|----|----|----|
| 55           | <FINE GAIN> |    |    |    | <OFFSET CORR TC> <i>Offset correction time constant</i> |    |    |    |

**D7–D4**   <FINE GAIN> Gain programmability in 0.5-dB steps

- 0000   0-dB gain, default after reset
- 0001   0.5-dB gain
- 0010   1.0-dB gain
- 0011   1.5-dB gain
- 0100   2.0-dB gain
- 0101   2.5-dB gain
- 0110   3.0-dB gain
- 0111   3.5-dB gain
- 1000   4.0-dB gain
- 1001   4.5-dB gain
- 1010   5.0-dB gain
- 1011   5.5-dB gain
- 1100   6.0-dB gain

**D3–D0**   <OFFSET CORR TC> Time constant of correction loop in number of clock cycles. See *Offset Correction* in application section.

- 0000   256 k
- 0001   512 k
- 0010   1 M
- 0011   2 M
- 0100   4 M
- 0101   8 M
- 0110   16 M
- 0111   32 M
- 1000   64 M
- 1001   128 M
- 1010   256 M
- 1011   512 M

1100 to 1111   Reserved

**J)**

| A7–A0 IN HEX | D7 | D6 | D5 | D4 | D3 | D2              | D1 | D0 |
|--------------|----|----|----|----|----|-----------------|----|----|
| 62           | 0  | 0  | 0  | 0  | 0  | <TEST PATTERNS> |    |    |

**D2–D0** <TEST PATTERNS> Test patterns to verify data capture

|     |                        |
|-----|------------------------|
| 000 | Normal operation       |
| 001 | Outputs all zeros      |
| 010 | Outputs all ones       |
| 011 | Outputs toggle pattern |
| 100 | Outputs digital ramp   |
| 101 | Outputs custom pattern |
| 110 | Unused                 |
| 111 | Unused                 |

**K)**

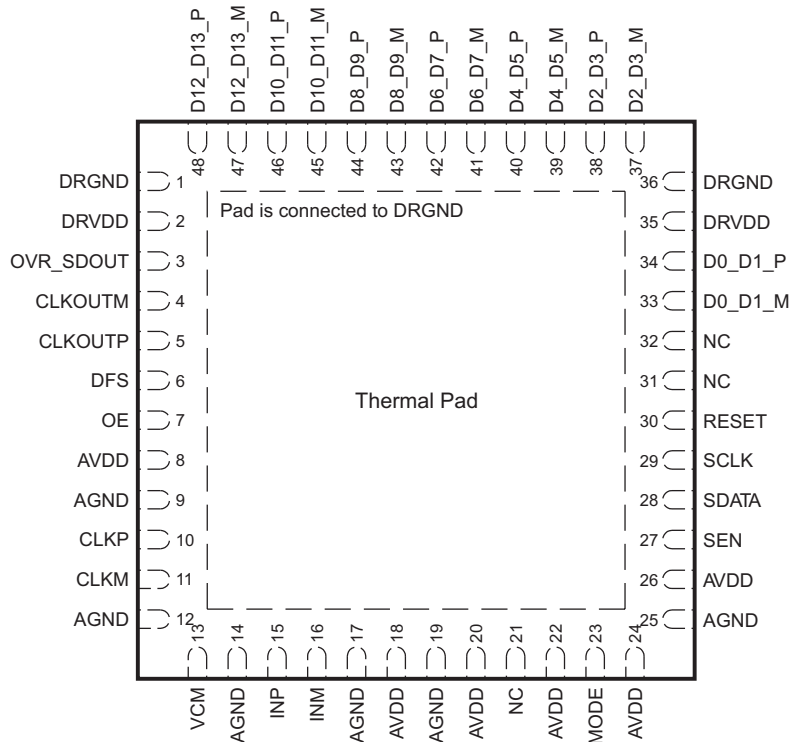
| A7–A0 IN HEX | D7 | D6 | D5                | D4 | D3 | D2 | D1 | D0 |
|--------------|----|----|-------------------|----|----|----|----|----|
| 63           | 0  | 0  | <OFFSET PEDESTAL> |    |    |    |    |    |

**D5–D0** <OFFSET PEDESTAL> When the offset correction is enabled, the final converged value after the offset is corrected is the ADC mid-code value.

A pedestal can be added to the final converged value by programming these bits. For example, See *Offset Correction* in application section.

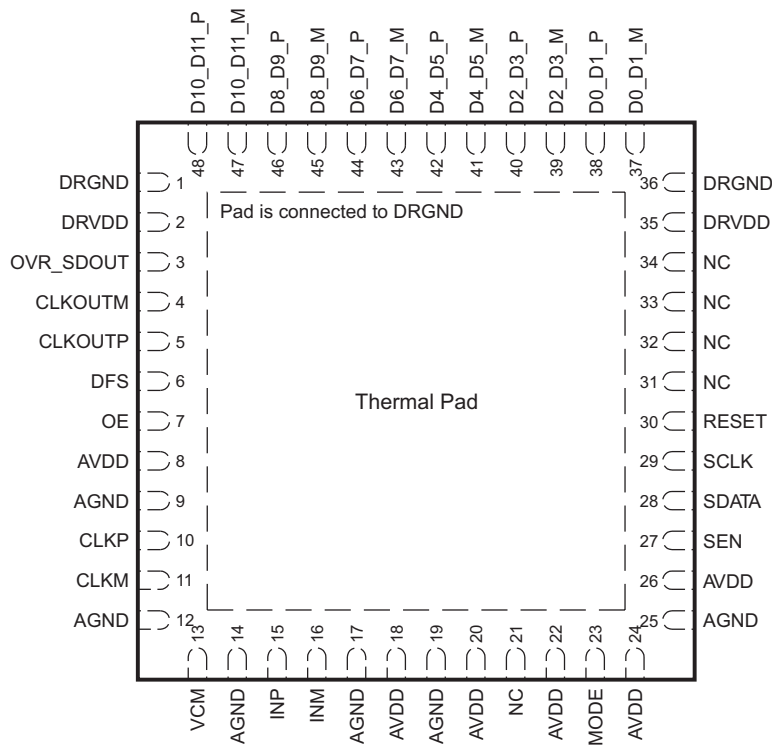
|        |                   |
|--------|-------------------|
| 011111 | Mid-code + 31 LSB |
| 011110 | Mid-code + 30 LSB |
| 011101 | Mid-code + 29 LSB |
| ....   |                   |
| 000000 | Mid-code          |
| 111111 | Mid-code - 1 LSB  |
| 111110 | Mid-code - 2 LSB  |
| ....   |                   |
| 100000 | Mid-code - 32 LSB |

DEVICE INFORMATION



P0023-12

Figure 9. PIN CONFIGURATION (LVDS MODE) — ADS61B49



P0023-13

Figure 10. PIN CONFIGURATION (LVDS MODE) — ADS61B29



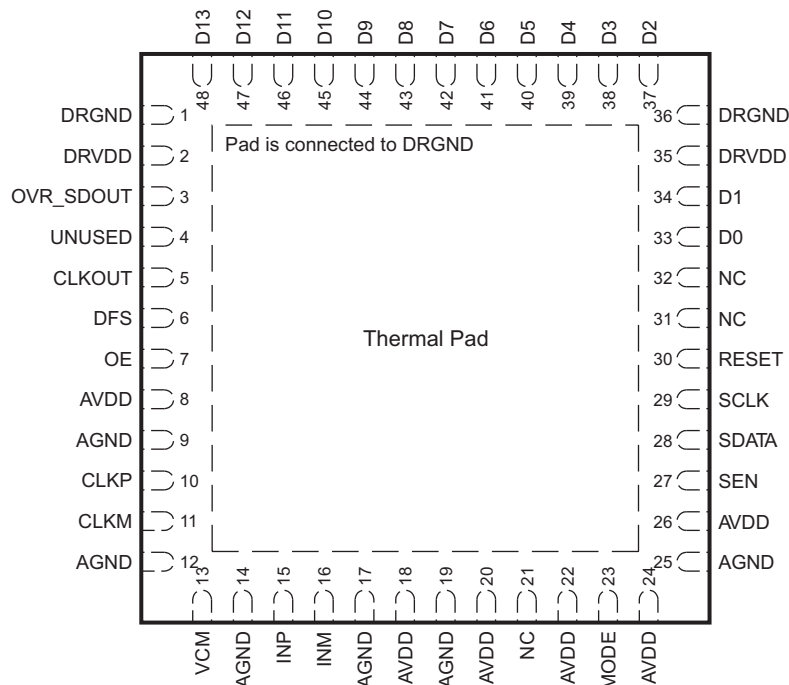
**Table 8. PIN ASSIGNMENTS (LVDS MODE) — ADS61B49 and ADS61B29**

| PIN                 |  | I/O   | NO. of PINS | DESCRIPTION  |   |
|---------------------|--|-------|-------------|--|---|
| NAME                | NO.  |       |             |  |   |
| AVDD                | 8, 18, 20, 22, 24, 26                                      | I     | 6           | 3.3-V analog power supply  |   |
| AGND                | 9, 12, 14, 17, 19, 25                                      | I     | 6           | Analog ground  |   |
| CLKP, CLKM          | 10, 11   | I     | 2           | Differential clock input   |   |
| INP, INM            | 15, 16   | I     | 2           | Differential analog input  |   |
| VCM                 | 13   | IO    | 1           | Internal reference mode – Common-mode voltage output.<br>External reference mode – Reference input. The voltage forced on this pin sets the internal references.   |   |
| RESET               | 30   | I     | 1           | Serial interface RESET input.<br>When using serial interface mode, the user MUST initialize the internal registers through a hardware RESET by applying a high-going pulse on this pin or by using the software reset option. Refer to the <i>SERIAL INTERFACE</i> section.<br>In parallel interface mode, the user has to tie the RESET pin permanently high. (SDATA and SEN are used as parallel pin controls in this mode.)<br>The pin has an internal 100-kΩ pull-down resistor. |   |
| SCLK                | 29   | I     | 1           | Serial interface clock input. The pin has an internal 100-kΩ pull-down resistor.   |   |
| SDATA               | 28   | I     | 1           | This pin functions as the serial interface data input when RESET is low. It functions as the power-down control pin when RESET is tied high.<br>See <a href="#">Table 3</a> for detailed information.<br>The pin has an internal 100-kΩ pull-down resistor.  |   |
| SEN                 | 27   | I     | 1           | This pin functions as the serial interface enable input when RESET is low.<br>It functions as the output clock edge control when RESET is tied high. See <a href="#">Table 4</a> for detailed information.<br>The pin has an internal 100-kΩ pull-up resistor to AVDD.   |   |
| OE                  | 7  | I     | 1           | Output buffer enable input, active high. The pin has an internal 100-kΩ pull-up resistor to DRVDD  |   |
| DFS                 | 8  | I     | 1           | Data format select input. This pin sets the data format (2s complement or offset binary) and the LVDS/CMOS output interface type.<br>See <a href="#">Table 5</a> for detailed information.   |   |
| MODE <sup>(1)</sup> | 23   | I     | 1           | Not used. See <a href="#">Table 6</a> and note below for detailed information.   |   |
| CLKOUTP             | 5  | O     | 1           | Differential output clock, true  |   |
| CLKOUTM             | 4  | O     | 1           | Differential output clock, complement  |   |
| D0_D1_P             | See <a href="#">Figure 9</a> and <a href="#">Figure 10</a> | O     | 1           | Differential output data D0 and D1 multiplexed, true   |   |
| D0_D1_M             |  | O     | 1           | Differential output data D0 and D1 multiplexed, complement   |   |
| D2_D3_P             |  | O     | 1           | Differential output data D2 and D3 multiplexed, true   |   |
| D2_D3_M             |  | O     | 1           | Differential output data D2 and D3 multiplexed, complement   |   |
| D4_D5_P             |  | O     | 1           | Differential output data D4 and D5 multiplexed, true   |   |
| D4_D5_M             |  | O     | 1           | Differential output data D4 and D5 multiplexed, complement   |   |
| D6_D7_P             |  | O     | 1           | Differential output data D6 and D7 multiplexed, true   |   |
| D6_D7_M             |  | O     | 1           | Differential output data D6 and D7 multiplexed, complement   |   |
| D8_D9_P             |  | O     | 1           | Differential output data D8 and D9 multiplexed, true   |   |
| D8_D9_M             |  | O     | 1           | Differential output data D8 and D9 multiplexed, complement   |   |
| D10_D11_P           |  | O     | 1           | Differential output data D10 and D11 multiplexed, true   |   |
| D10_D11_M           |  | O     | 1           | Differential output data D10 and D11 multiplexed, complement   |   |
| D12_D13_P           |  | O     | 1           | Differential output data D12 and D13 multiplexed, true   |   |
| D12_D13_M           |  | O     | 1           | Differential output data D12 and D13 multiplexed, complement   |   |
| OVR_SDOOUT          |  | 3     | O           | 1  | It is a CMOS output with logic levels determined by the DRVDD supply. It functions as an out-of-range indicator after a reset and when register bit <SERIAL READOUT> = 0. It functions as the serial register readout pin when register bit <SERIAL READOUT> = 1. |
| DRVDD               |  | 2, 35 | I           | 2  | 1.8-V digital and output buffer supply  |
| DRGND               | 1, 36, PAD   | I     | 2           | Digital and output buffer ground   |   |

(1) In the next generation pin-compatible ADC family, MODE is converted to a digital control pin for certain reserved functions. So, the selection of the internal or external reference and low speed functions are supported using MODE. In a system board using the ADS61x9/x8, the MODE pin can be routed to a digital controller. This avoids board modification if migrating to the next generation ADC.

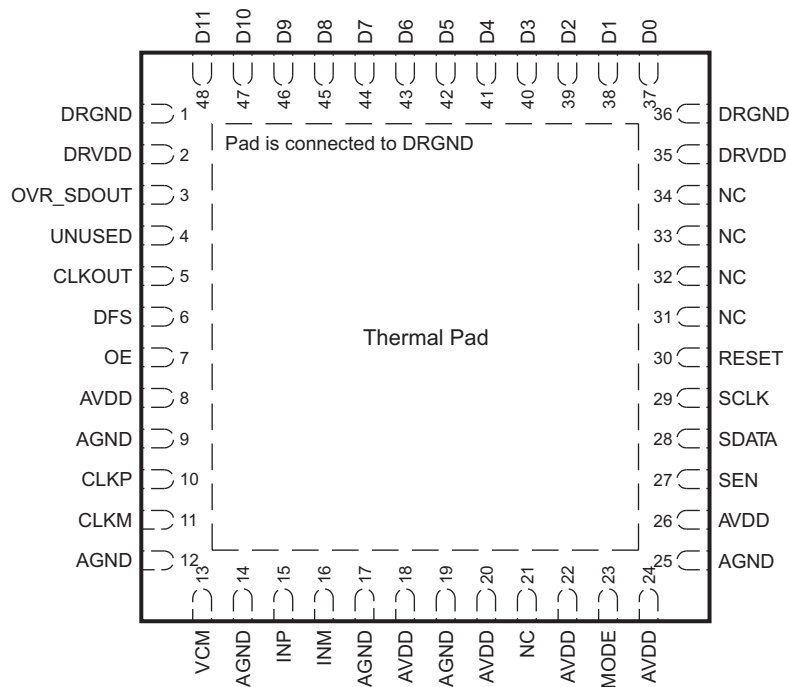
**Table 8. PIN ASSIGNMENTS (LVDS MODE) — ADS61B49 and ADS61B29 (continued)**

| PIN  |   | I/O | NO.<br>of<br>PINS | DESCRIPTION    |
|------|---|-----|-------------------|----------------|
| NAME | NO.   |     |                   |                |
| NC   | See<br><a href="#">Figure 9</a><br>and<br><a href="#">Figure 10</a> |     |                   | Do not connect |



P0023-14

Figure 11. PIN CONFIGURATION (CMOS MODE) – ADS61B49



P0023-15

Figure 12. PIN CONFIGURATION (CMOS MODE) – ADS61B29

**PIN ASSIGNMENTS (CMOS MODE) – ADS61B49 and ADS61B29**

| PIN                 |   | I/O | NO. of PINS | DESCRIPTION  |
|---------------------|---|-----|-------------|--|
| NAME                | NO.   |     |             |  |
| AVDD                | 8, 18, 20, 22, 24, 26                                       | I   | 6           | 3.3-V analog power supply  |
| AGND                | 9, 12, 14, 17, 19, 25                                       | I   | 6           | Analog ground  |
| CLKP, CLKM          | 10, 11  | I   | 2           | Differential clock input   |
| INP, INM            | 15, 16  | I   | 2           | Differential analog input  |
| VCM                 | 13  | IO  | 1           | Internal reference mode – Common-mode voltage output.<br>External reference mode – Reference input. The voltage forced on this pin sets the internal references.   |
| RESET               | 30  | I   | 1           | Serial interface RESET input.<br>When using serial interface mode, the user MUST initialize the internal registers through a hardware RESET by applying a high-going pulse on this pin or by using the software reset option. Refer to the <i>SERIAL INTERFACE</i> section.<br>In parallel interface mode, the user has to tie the RESET pin permanently high. (SDATA and SEN are used as parallel pin controls in this mode.)<br>The pin has an internal 100-kΩ pull-down resistor. |
| SCLK                | 29  | I   | 1           | Serial interface clock input. The pin has an internal 100-kΩ pull-down resistor.   |
| SDATA               | 28  | I   | 1           | This pin functions as the serial interface data input when RESET is low. It functions as the power-down control pin when RESET is tied high.<br>See <a href="#">Table 3</a> for detailed information.<br>The pin has an internal 100-kΩ pull-down resistor.  |
| SEN                 | 27  | I   | 1           | This pin functions as the serial interface enable input when RESET is low.<br>It functions as the output clock edge control when RESET is tied high. See <a href="#">Table 4</a> for detailed information.<br>The pin has an internal 100-kΩ pull-up resistor to DVDD.   |
| DFS                 | 8   | I   | 1           | Data format select input. This pin sets the data format (2s complement or offset binary) and the LVDS/CMOS output interface type.<br>See <a href="#">Table 5</a> for detailed information.   |
| MODE <sup>(1)</sup> | 23  | I   | 1           | Not used. See <a href="#">Table 6</a> and note below for detailed information.   |
| CLKOUT              | 5   | O   | 1           | CMOS output clock  |
| OE                  | 7   | I   | 1           | Output buffer enable input, active high. The pin has an internal 100-kΩ pull-up resistor to DRVDD  |
| D0–D13              | See <a href="#">Figure 11</a> and <a href="#">Figure 12</a> | O   | 14/12       | 14-bit/12-bit CMOS output data   |
| OVR_SDOUIT          | 3   | O   | 1           | It is a CMOS output with logic levels determined by the DRVDD supply. It functions as an out-of-range indicator after a reset and when register bit <SERIAL READOUT> = 0. It functions as the serial register readout pin when <SERIAL READOUT> = 1.   |
| DRVDD               | 2, 35   | I   | 2           | 1.8-V digital and output buffer supply   |
| DRGND               | 1, 36, PAD  | I   | 2           | Digital and output buffer ground   |
| UNUSED              | 4   |     | 1           | Unused pin in CMOS mode  |
| NC                  | See <a href="#">Figure 11</a> and <a href="#">Figure 12</a> |     |             | Do not connect   |

(1) In the next generation pin-compatible ADC family, MODE is converted to a digital control pin for certain reserved functions. So, the selection of the internal or external reference and low speed functions are supported using MODE. In a system board using the ADS61x9/x8, the MODE pin can be routed to a digital controller. This avoids board modification while migrating to the next generation ADC.

**TYPICAL CHARACTERISTICS - ADS61B49**

All plots are at 25°C, AVDD = 3.3 V, DRVDD = 1.8 V, maximum rated sampling frequency, sine wave input clock. 1.5-V<sub>PP</sub> differential clock amplitude, 50% clock duty cycle, -1 dBFS differential analog input, internal reference mode, 0-dB gain, LVDS output interface (unless otherwise noted)

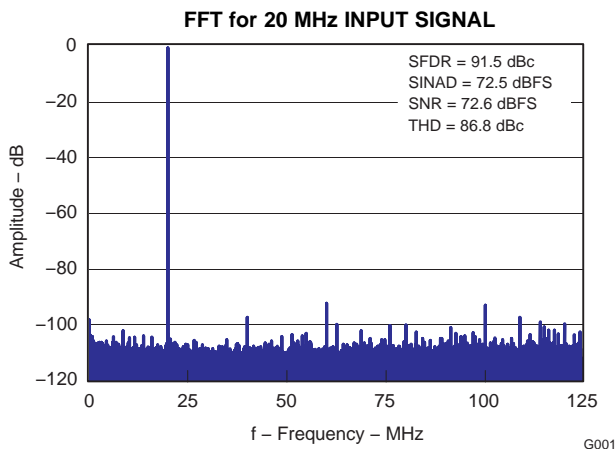


Figure 13.

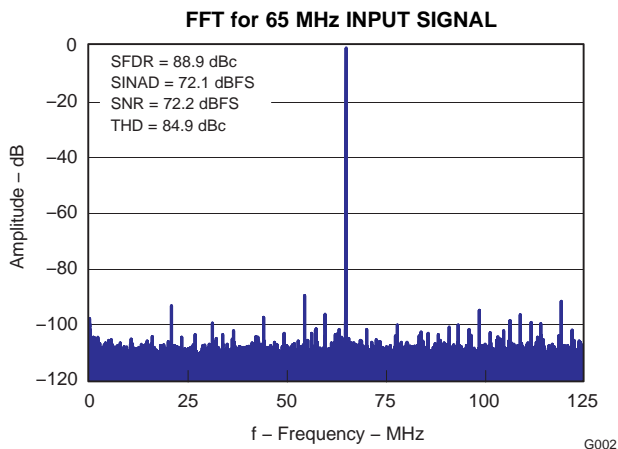


Figure 14.

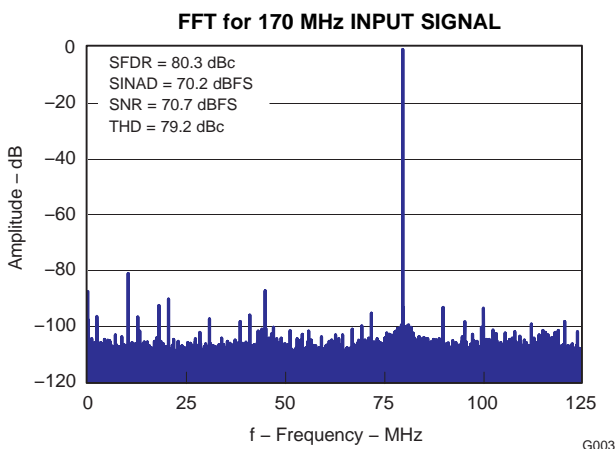


Figure 15.

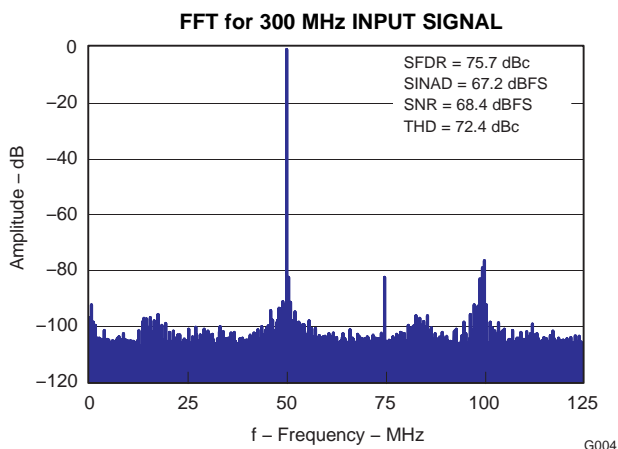


Figure 16.

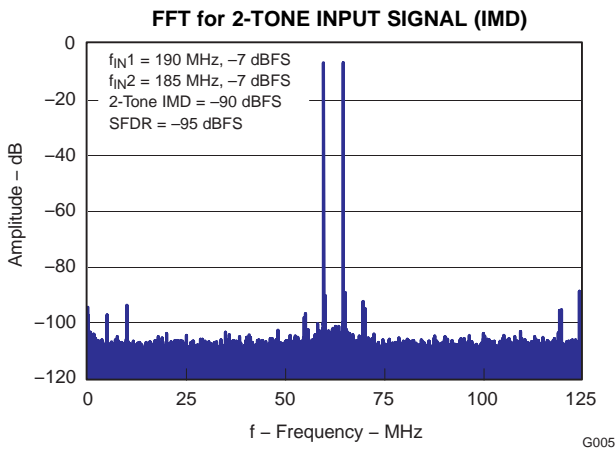


Figure 17.

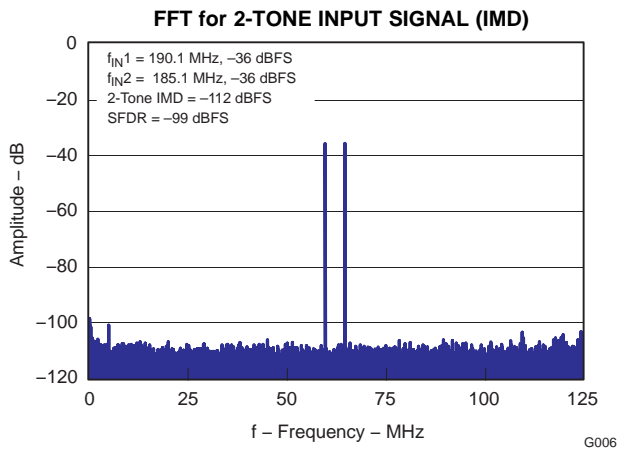


Figure 18.

TYPICAL CHARACTERISTICS - ADS61B49 (continued)

All plots are at 25°C, AVDD = 3.3 V, DRVDD = 1.8 V, maximum rated sampling frequency, sine wave input clock. 1.5-V<sub>PP</sub> differential clock amplitude, 50% clock duty cycle, -1 dBFS differential analog input, internal reference mode, 0-dB gain, LVDS output interface (unless otherwise noted)

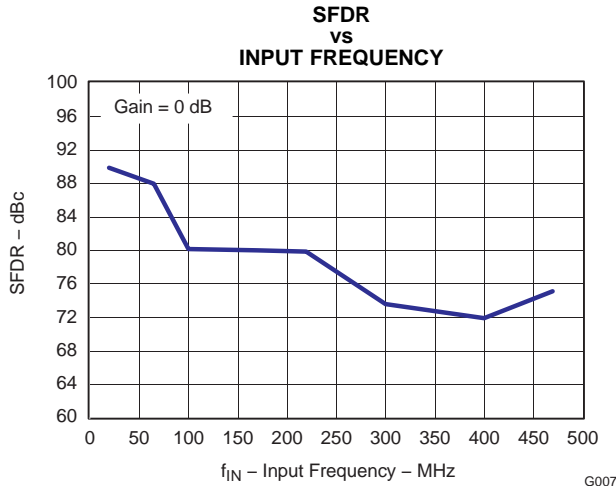


Figure 19.

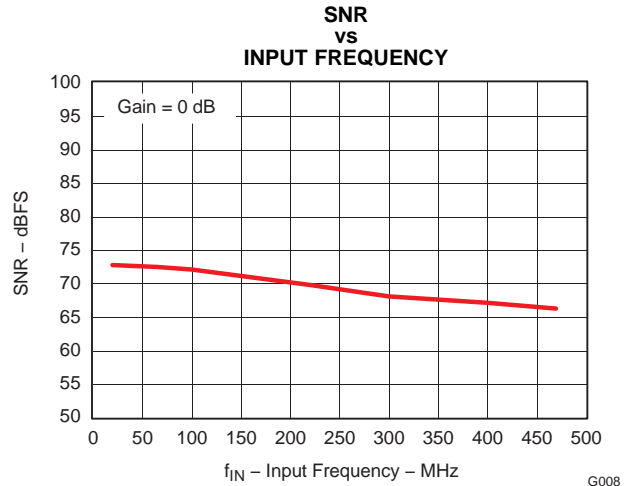


Figure 20.

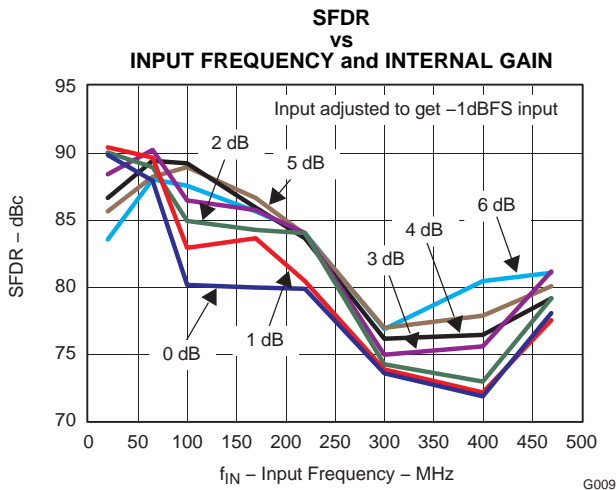


Figure 21.

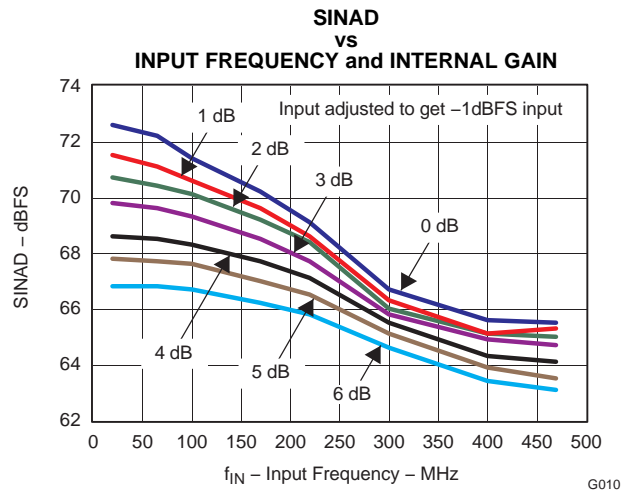


Figure 22.

TYPICAL CHARACTERISTICS - ADS61B49 (continued)

All plots are at 25°C, AVDD = 3.3 V, DRVDD = 1.8 V, maximum rated sampling frequency, sine wave input clock. 1.5-V<sub>PP</sub> differential clock amplitude, 50% clock duty cycle, -1 dBFS differential analog input, internal reference mode, 0-dB gain, LVDS output interface (unless otherwise noted)

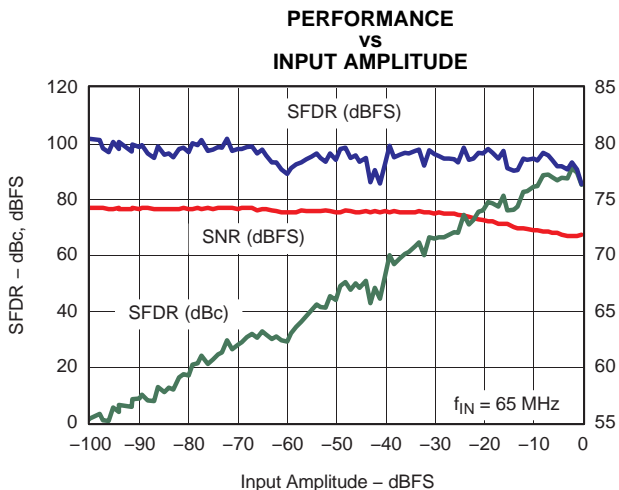


Figure 23.

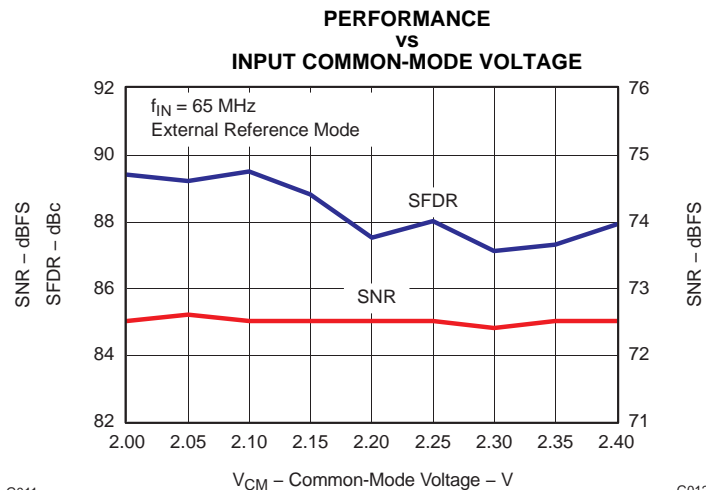


Figure 24.

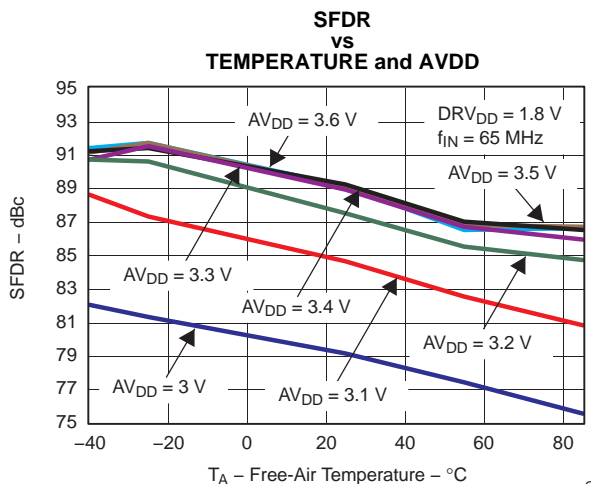


Figure 25.

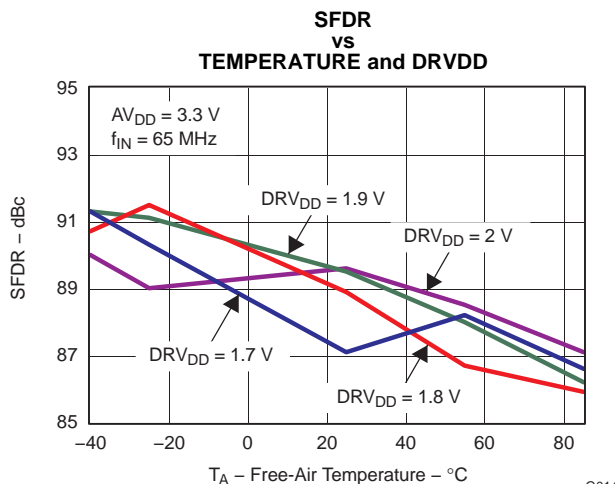


Figure 26.

TYPICAL CHARACTERISTICS - ADS61B49 (continued)

All plots are at 25°C, AVDD = 3.3 V, DRVDD = 1.8 V, maximum rated sampling frequency, sine wave input clock. 1.5-V<sub>PP</sub> differential clock amplitude, 50% clock duty cycle, -1 dBFS differential analog input, internal reference mode, 0-dB gain, LVDS output interface (unless otherwise noted)

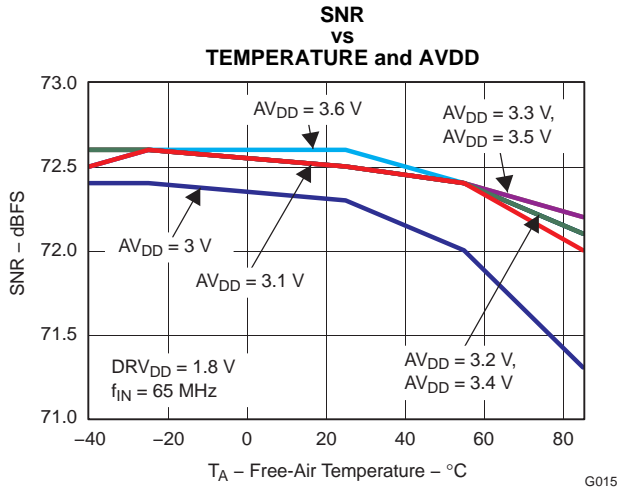


Figure 27.

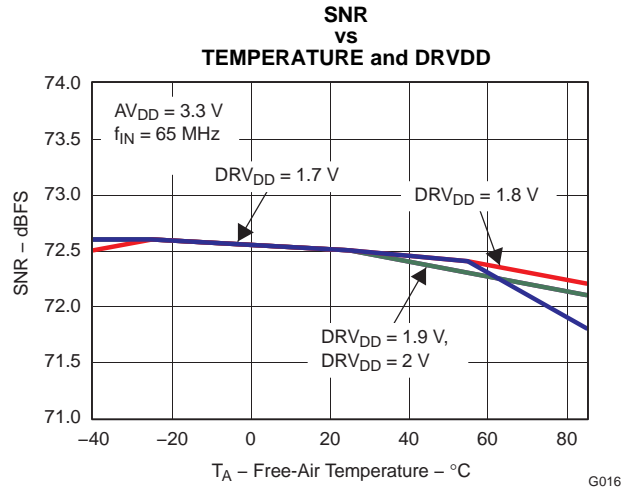


Figure 28.

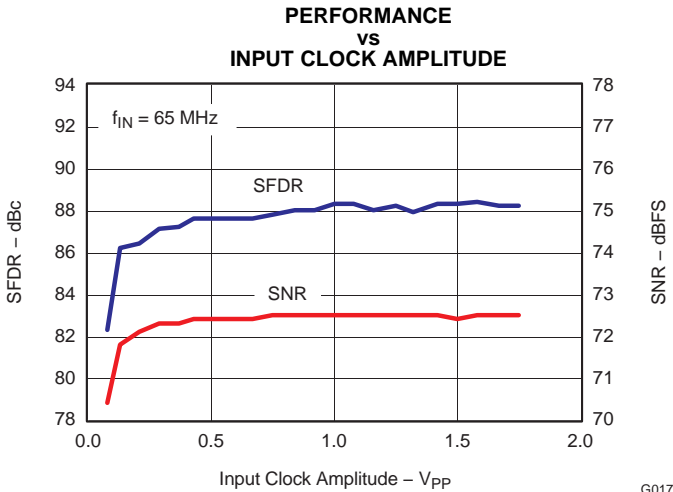


Figure 29.

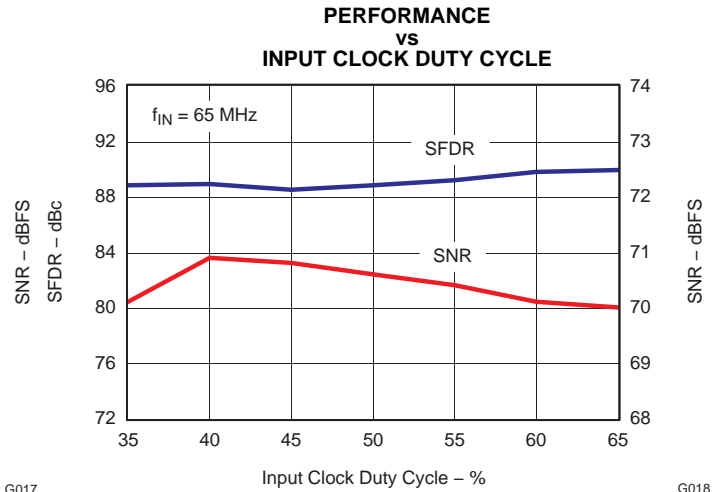


Figure 30.

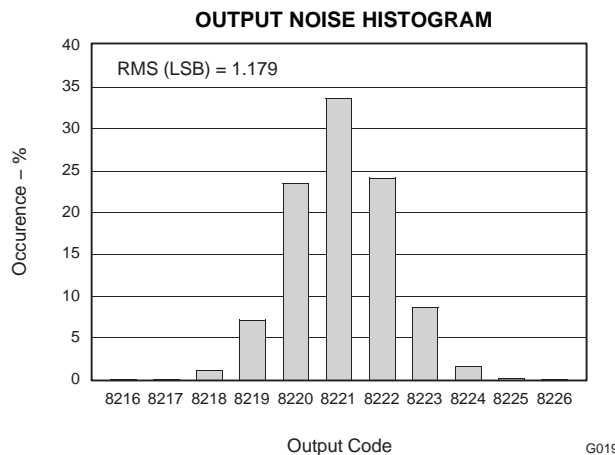


Figure 31.



### TYPICAL CHARACTERISTICS - ADS61B29

All plots are at 25°C, AVDD = 3.3 V, DRVDD = 1.8 V, maximum rated sampling frequency, sine wave input clock. 1.5-V<sub>PP</sub> differential clock amplitude, 50% clock duty cycle, -1 DBFS differential analog input, internal reference mode, 0-dB gain, LVDS output interface (unless otherwise noted)

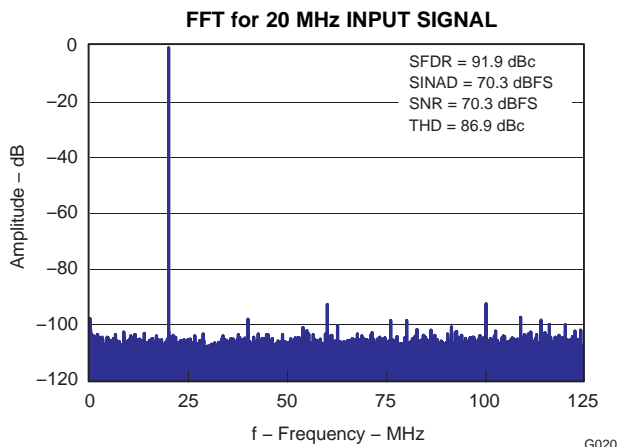


Figure 32.

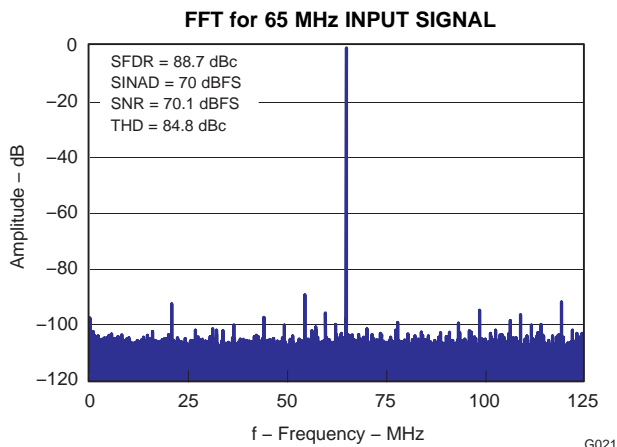


Figure 33.

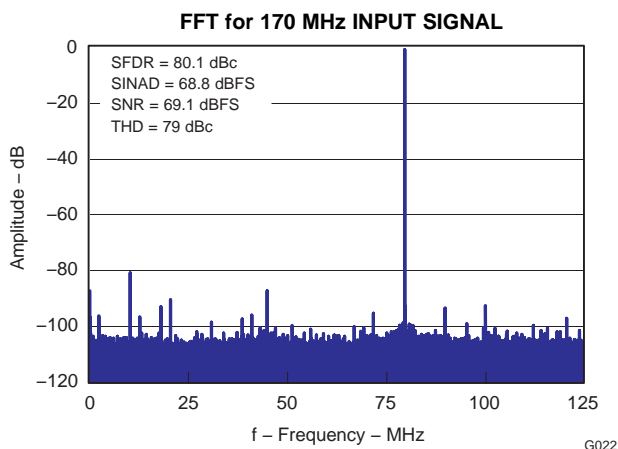


Figure 34.

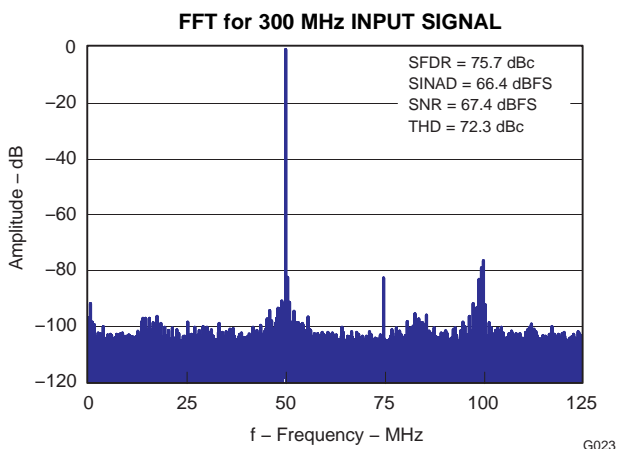


Figure 35.

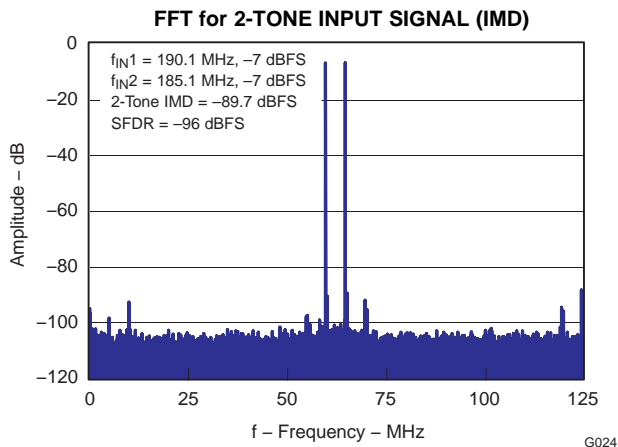


Figure 36.

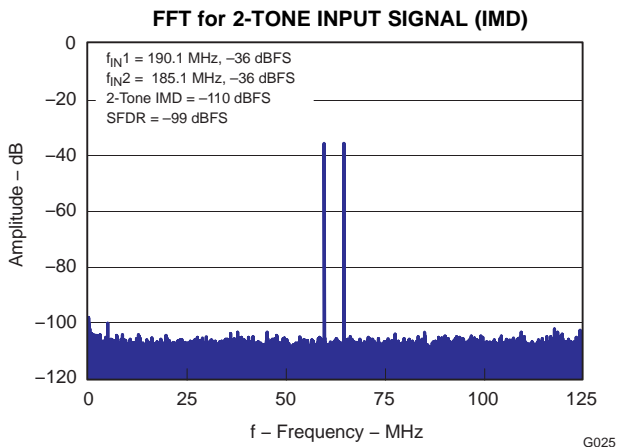


Figure 37.

TYPICAL CHARACTERISTICS - ADS61B29 (continued)

All plots are at 25°C, AVDD = 3.3 V, DRVDD = 1.8 V, maximum rated sampling frequency, sine wave input clock. 1.5-V<sub>PP</sub> differential clock amplitude, 50% clock duty cycle, -1 DBFS differential analog input, internal reference mode, 0-dB gain, LVDS output interface (unless otherwise noted)

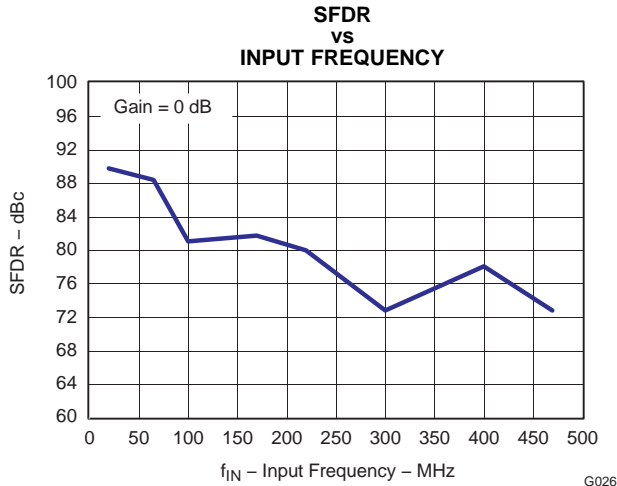


Figure 38.

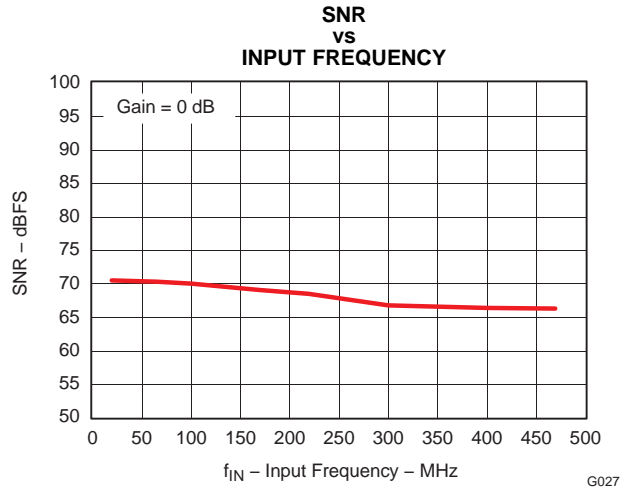


Figure 39.

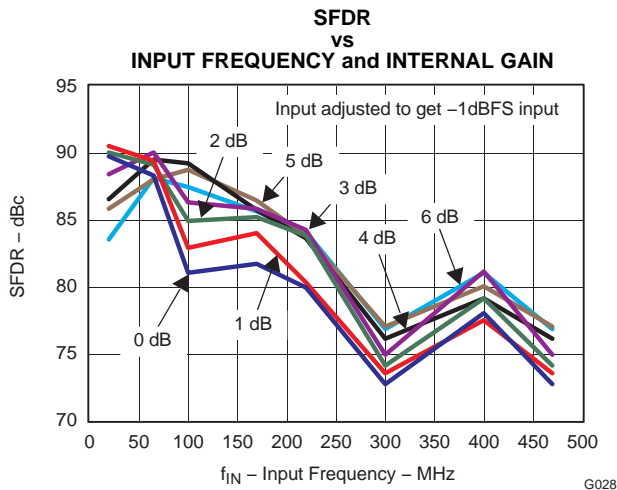


Figure 40.

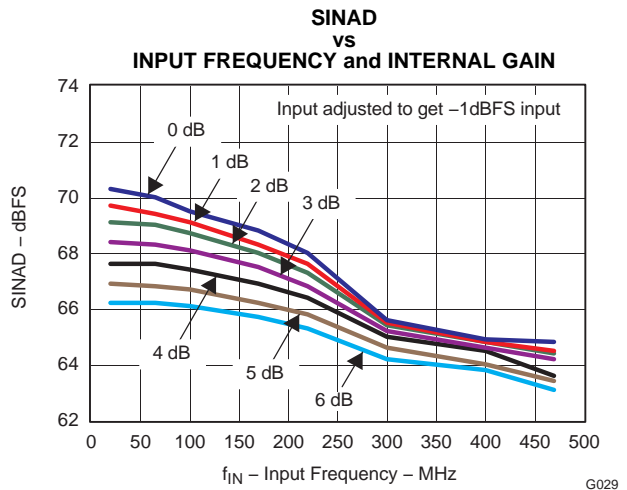


Figure 41.

TYPICAL CHARACTERISTICS - ADS61B29 (continued)

All plots are at 25°C, AVDD = 3.3 V, DRVDD = 1.8 V, maximum rated sampling frequency, sine wave input clock. 1.5-V<sub>PP</sub> differential clock amplitude, 50% clock duty cycle, -1 DBFS differential analog input, internal reference mode, 0-dB gain, LVDS output interface (unless otherwise noted)

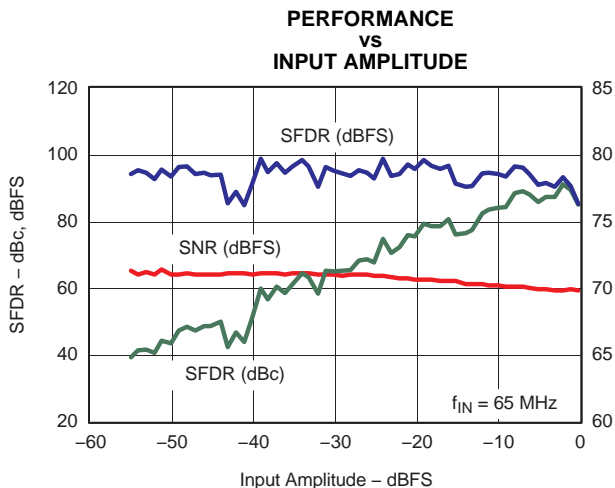


Figure 42.

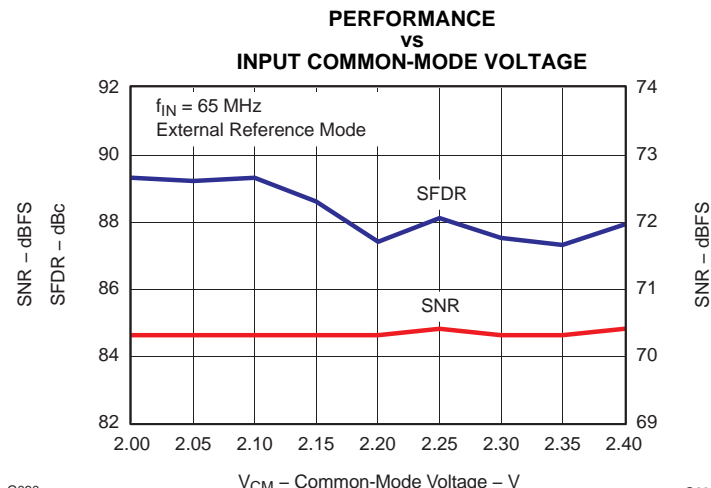


Figure 43.

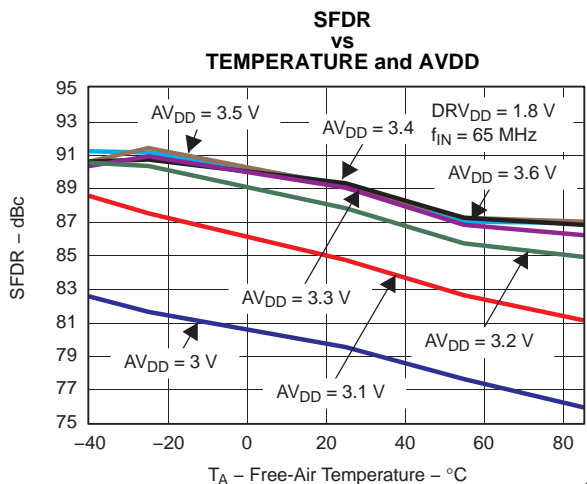


Figure 44.

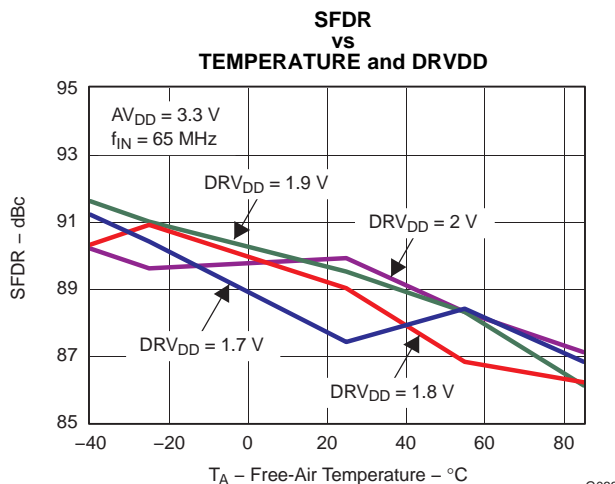


Figure 45.

TYPICAL CHARACTERISTICS - ADS61B29 (continued)

All plots are at 25°C, AVDD = 3.3 V, DRVDD = 1.8 V, maximum rated sampling frequency, sine wave input clock. 1.5-V<sub>PP</sub> differential clock amplitude, 50% clock duty cycle, -1 DBFS differential analog input, internal reference mode, 0-dB gain, LVDS output interface (unless otherwise noted)

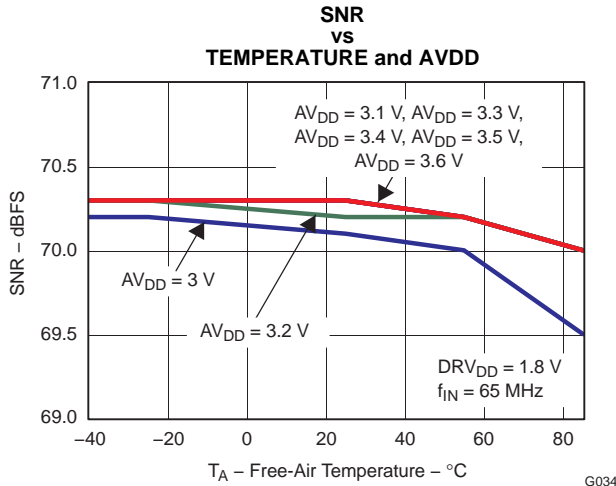


Figure 46.

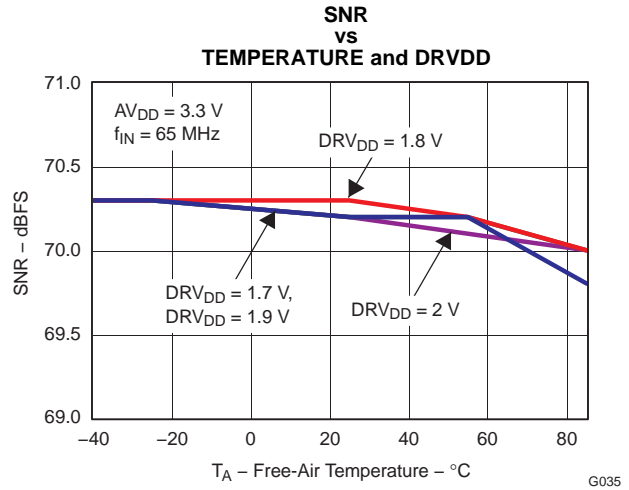


Figure 47.

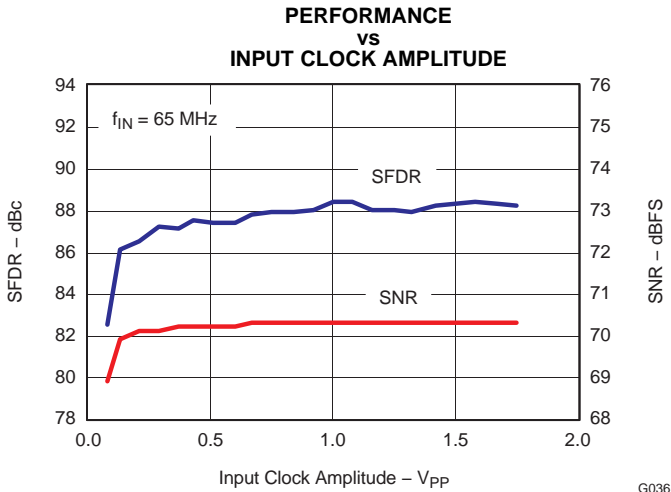


Figure 48.

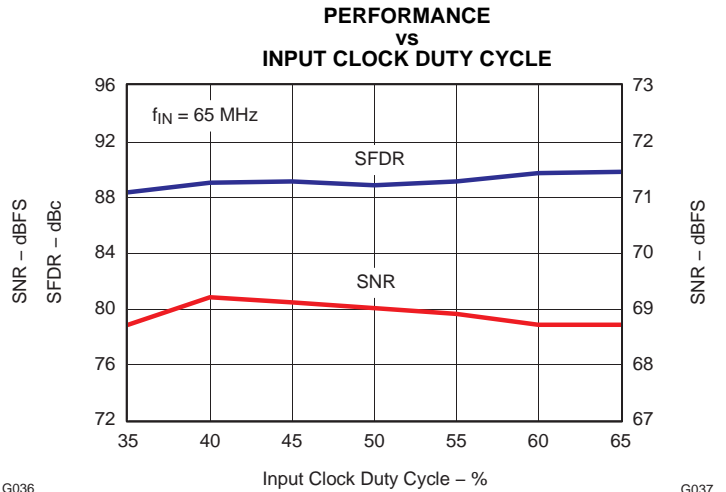


Figure 49.

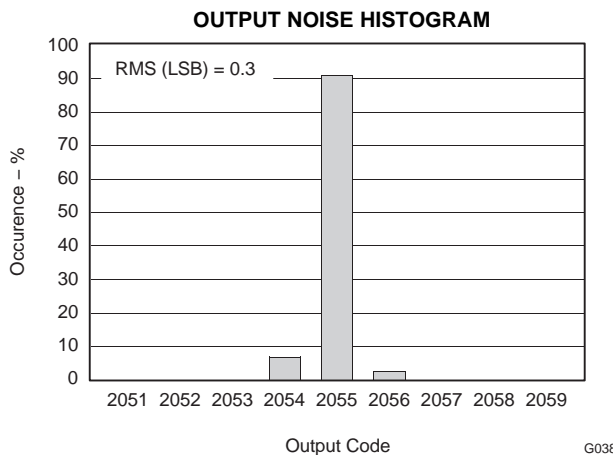


Figure 50.

**TYPICAL CHARACTERISTICS - COMMON PLOTS (Both ADS61B49/61B29)**

All plots are at 25°C, AVDD = 3.3 V, DRVDD = 1.8 V, maximum rated sampling frequency, sine wave input clock. 1.5-V<sub>PP</sub> differential clock amplitude, 50% clock duty cycle, -1 DBFS differential analog input, internal reference mode, 0-dB gain, LVDS output interface (unless otherwise noted)

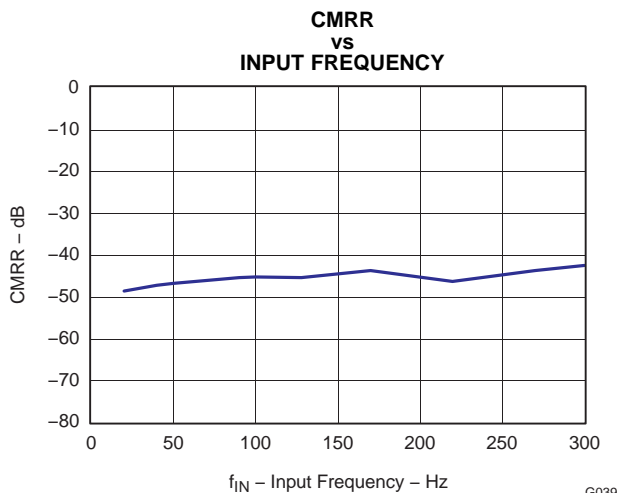


Figure 51.

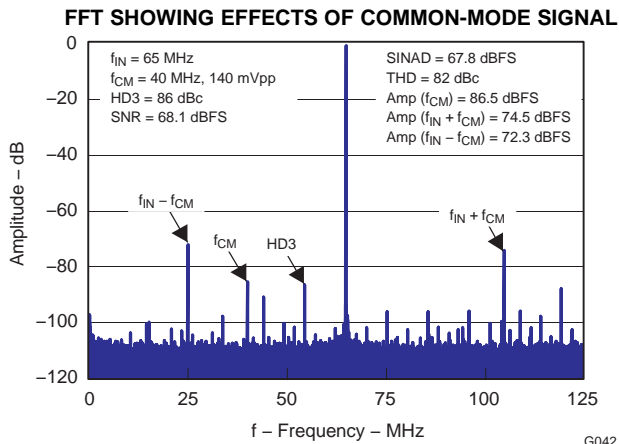


Figure 52.

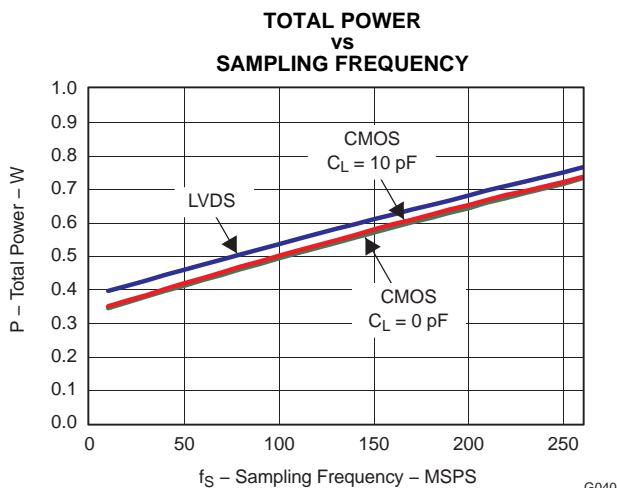


Figure 53.

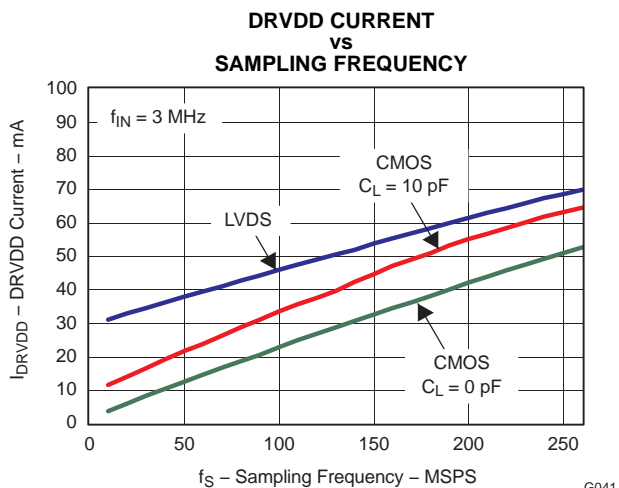
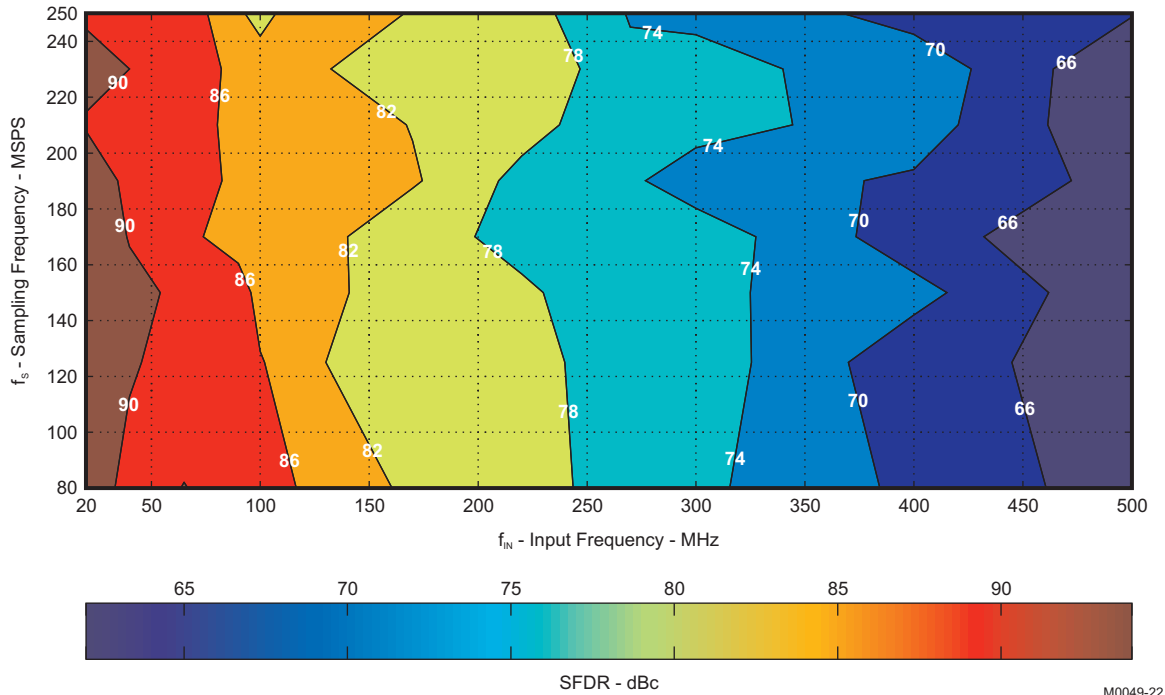


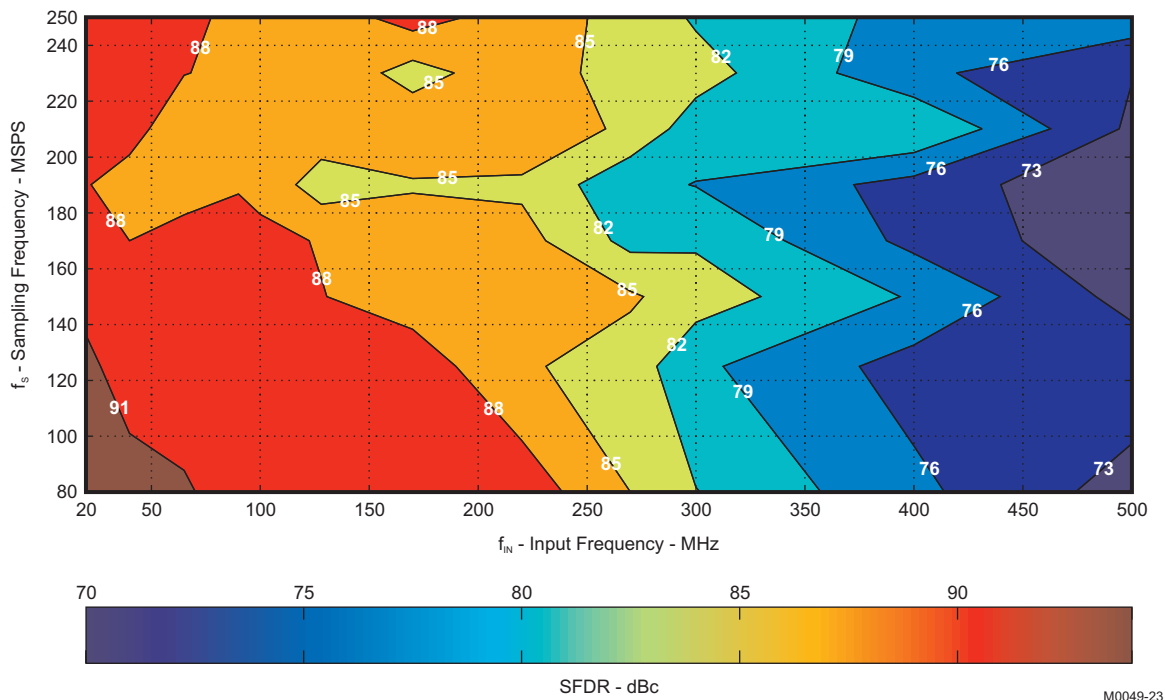
Figure 54.

**CONTOUR PLOTS - ADS61B49/ADS61B29**

Plots are at 25°C, AVDD = 3.3 V, DRVDD = 1.8 V, sine wave input clock, 1.5-V<sub>PP</sub> differential clock amplitude, 50% clock duty cycle, -1 dBFS differential analog input, internal reference mode, 0-dB gain, LVDS output interface (unless otherwise noted)



**Figure 55. SFDR Contour Plot (0-dB gain)**



**Figure 56. SFDR Contour Plot (6-dB gain)**

### CONTOUR PLOTS - ADS61B49

Plots are at 25°C, AVDD = 3.3 V, DRVDD = 1.8 V, sine wave input clock, 1.5-V<sub>PP</sub> differential clock amplitude, 50% clock duty cycle, -1 dBFS differential analog input, internal reference mode, 0-dB gain, LVDS output interface (unless otherwise noted)

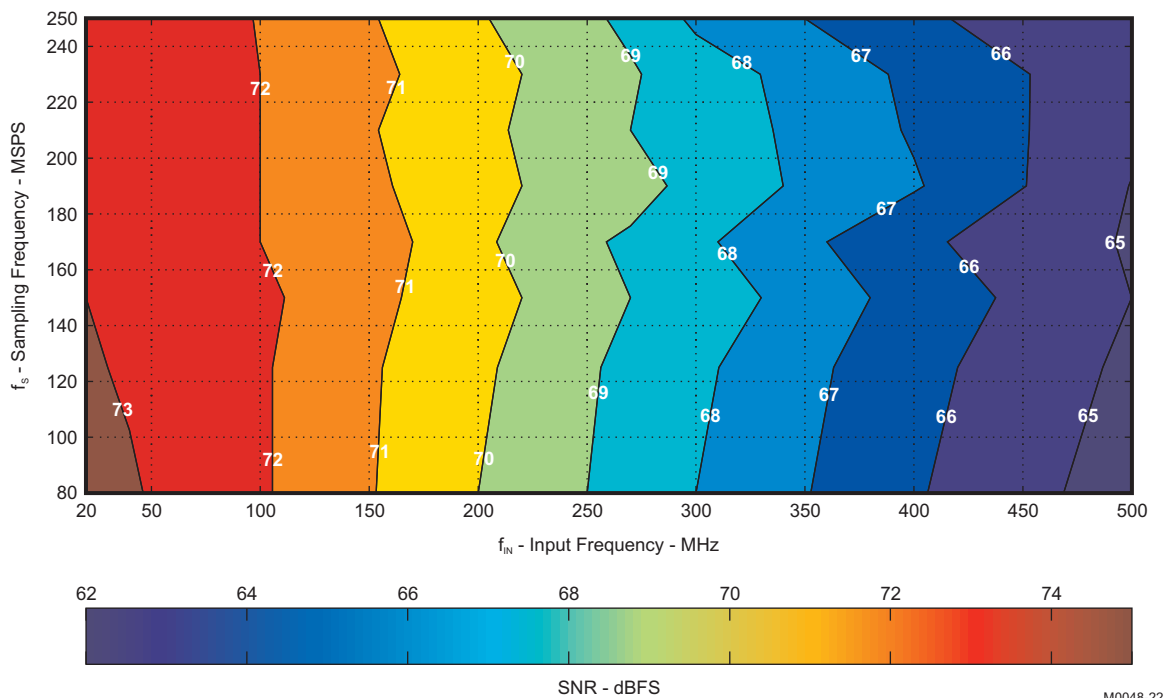


Figure 57. SNR Contour Plot (0-dB gain)

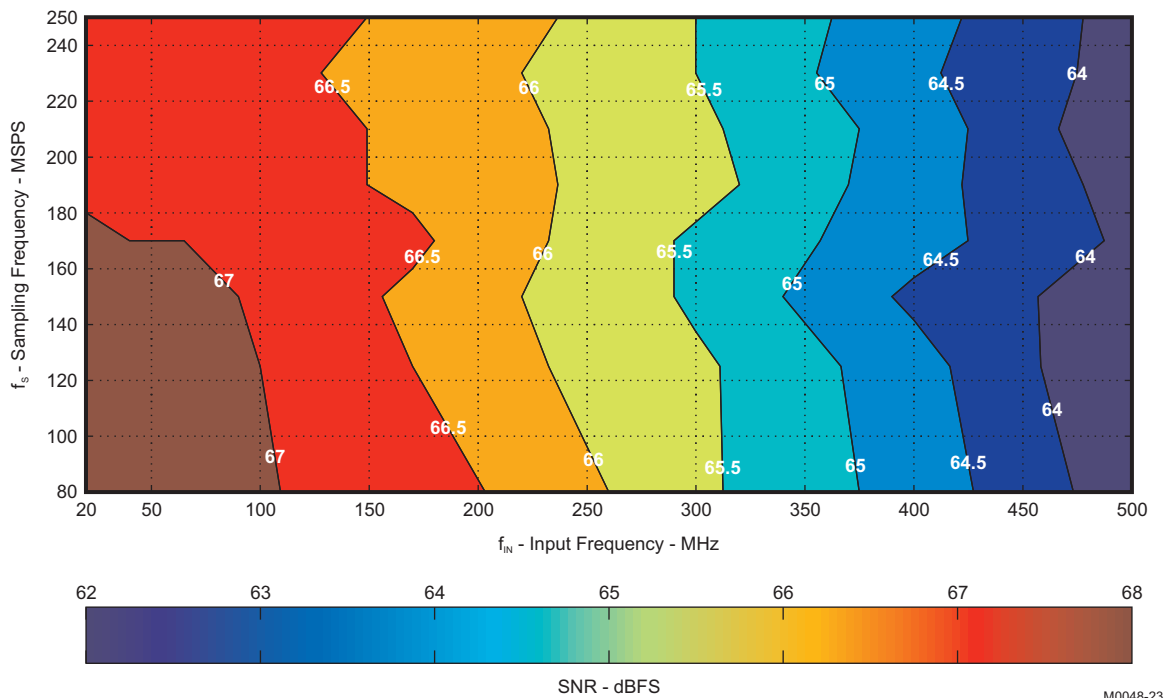
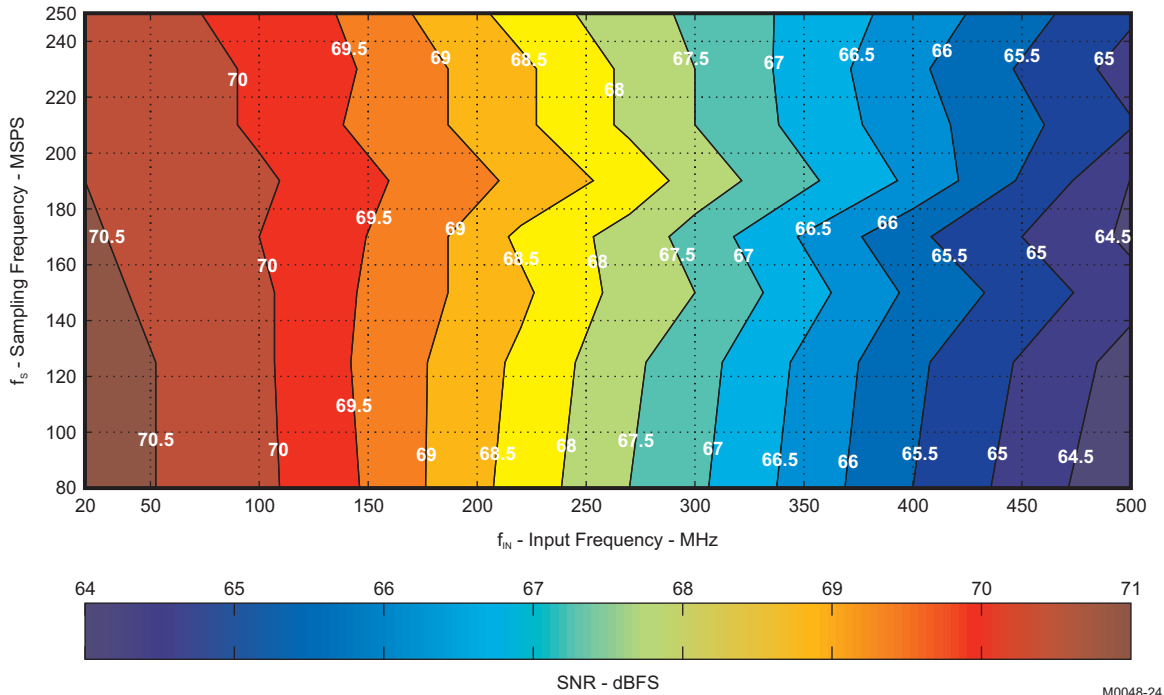


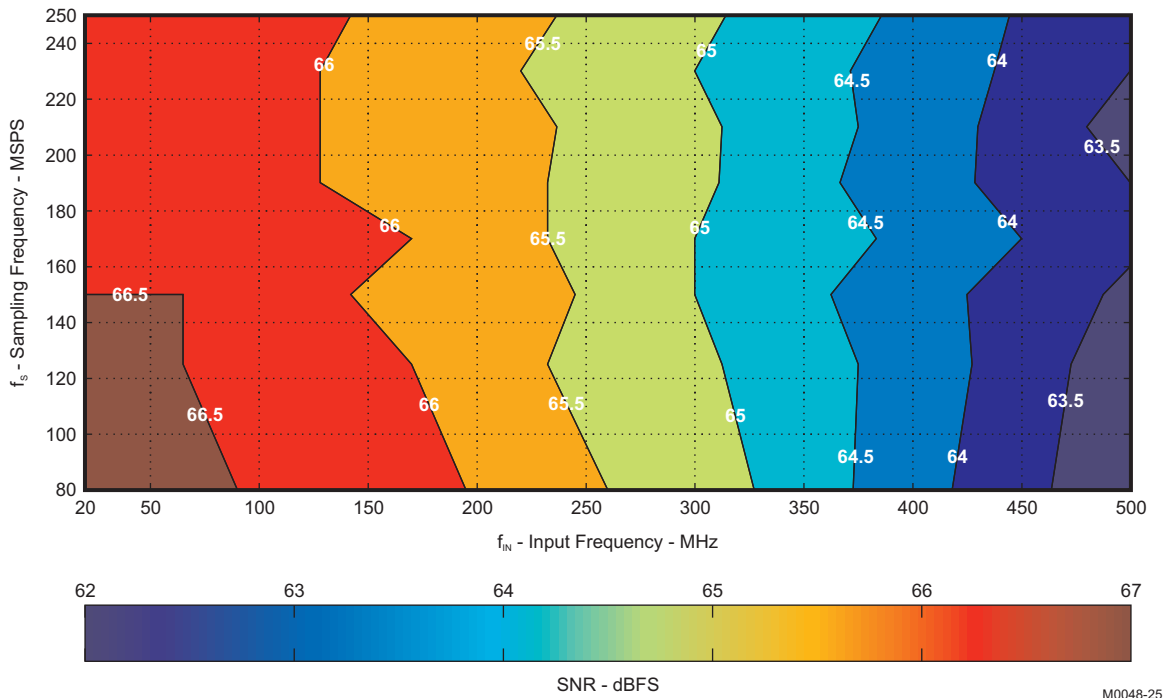
Figure 58. SNR Contour Plot (6-dB gain)

**CONTOUR PLOTS - ADS61B29**

Plots are at 25°C, AVDD = 3.3 V, DRVDD = 1.8 V, sine wave input clock, 1.5-V<sub>PP</sub> differential clock amplitude, 50% clock duty cycle, -1 dBFS differential analog input, internal reference mode, 0-dB gain, LVDS output interface (unless otherwise noted)



**Figure 59. SNR Contour Plot (0-dB gain)**



**Figure 60. SNR Contour Plot (6-dB gain)**



## APPLICATION INFORMATION

### THEORY OF OPERATION

The ADS61B49/29 are high performance, low power 14-bit and 12-bit A/D converters with maximum sampling rates up to 250 MSPS. The primary difference from the ADS6149/29 is the addition of an integrated analog buffer (hence B in the device name).

The conversion process is initiated by a rising edge of the external input clock and the analog input signal is sampled. The sampled signal is sequentially converted by a series of small resolution stages, with the outputs combined in a digital correction logic block. At every clock edge the sample propagates through the pipeline resulting in a data latency of 18 clock cycles. The output is available as 14-bit/12-bit data, in DDR LVDS or CMOS and coded in either straight offset binary or binary 2s complement format.

The dynamic offset of the first stage sub-ADC limits the maximum analog input frequency to about 500MHz (with 2-V<sub>pp</sub> amplitude) and about 800MHz (with 1-V<sub>pp</sub> amplitude) before the performance becomes ill-behaved. This is separate from the full power analog bandwidth of 750MHz, which is only an indicator of signal amplitude versus frequency.

### ANALOG INPUT

The analog input consists of an integrated input buffer followed by a switched-capacitor based differential sample and hold architecture. The addition of a buffer provides isolation from the non-linear impedance and switching transients of the switched-capacitor circuit. With a constant input impedance, the ADC is easier to drive and to reproduce data sheet measurements. For wide-band applications, like power amplifier linearization, the signal gain across frequency is more consistent. Spectral performance variance across frequency is also reduced.

This differential topology results in very good ac performance even for high input frequencies at high sampling rates. The INP and INM pins have to be externally biased around a common-mode voltage of 2.3 V, available on the VCM pin. For a full-scale differential input, each input pin INP, INM has to swing symmetrically between VCM+ 0.5 V and VCM – 0.5 V, resulting in a 2-V<sub>pp</sub> differential input swing.

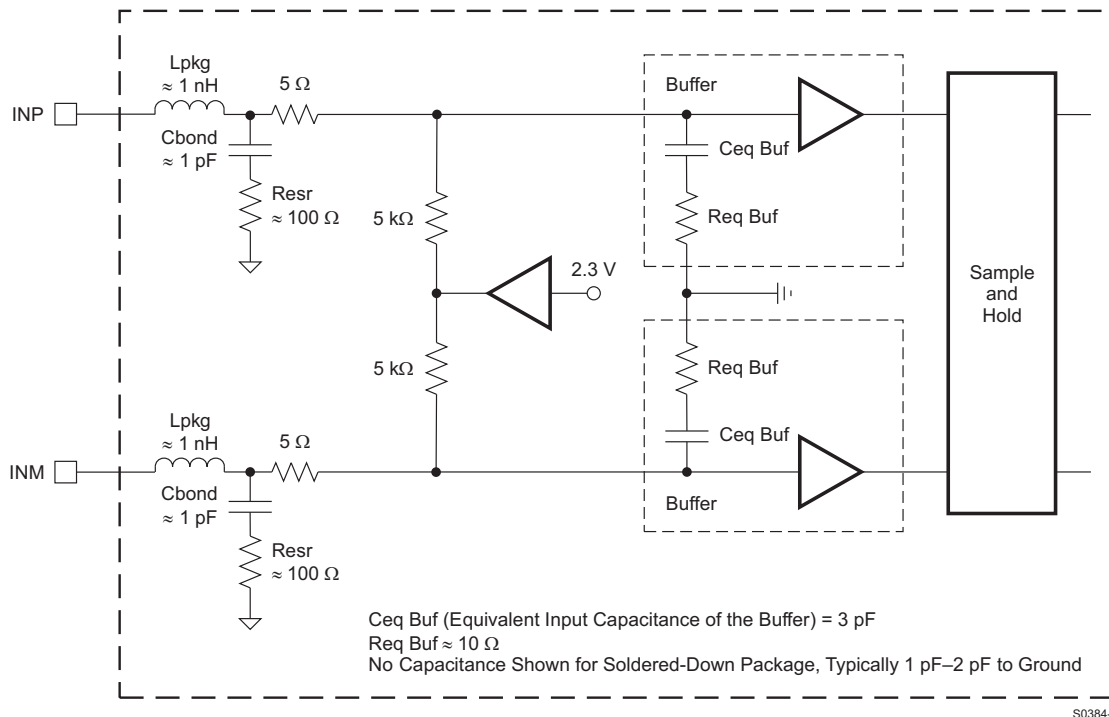


Figure 61. Analog Input Equivalent Circuit

The input sampling circuit has a high 3-dB bandwidth that extends up to 750 MHz (measured from the input pins to the sampled voltage).

### Drive Circuit Requirements

For optimum performance, the analog inputs must be driven differentially. This improves the common-mode noise immunity and even-order harmonic rejection. A 5-Ω resistor in series with each input pin is recommended to dampen out ringing caused by package parasitics.

Due to the integrated high impedance buffer in the ADS61B49/29 family, the filtering of the glitches with an external R-C-R filter suggested for the ADS6149/29 family is not required. The drive circuit may have to be designed to provide a low insertion loss over the desired frequency range and matched impedance to the source. While doing this, the ADC input impedance must be considered. Figure 62 and Figure 63 show the impedance ( $Z_{IN} = R_{IN} \parallel C_{IN}$ ) looking into the ADC input pins. These figures compare the buffered ADS61B49 to the non-buffered ADS6149.

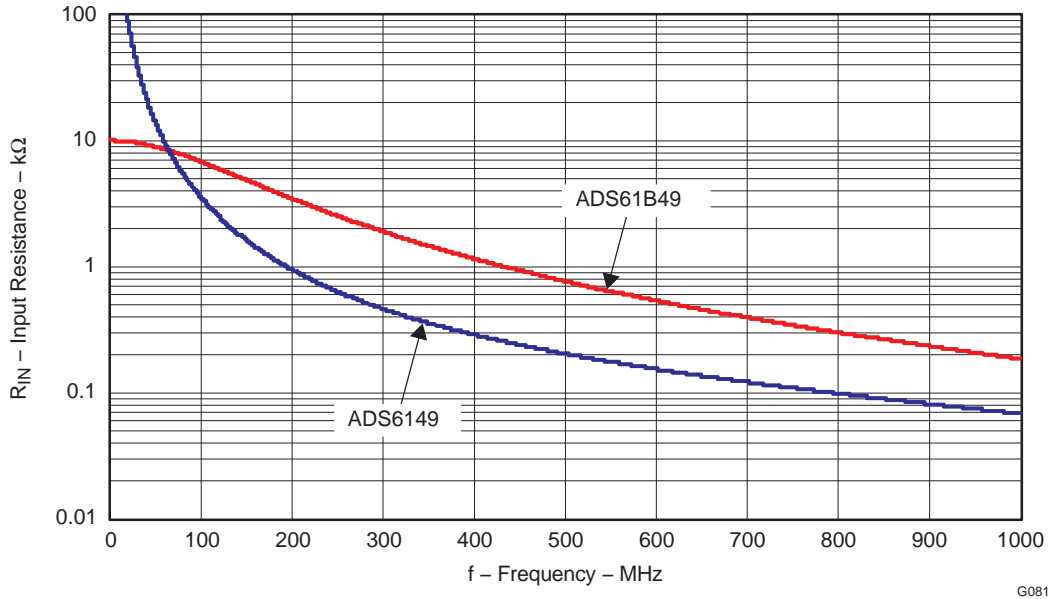


Figure 62. ADC Analog Input Resistance Across Frequency

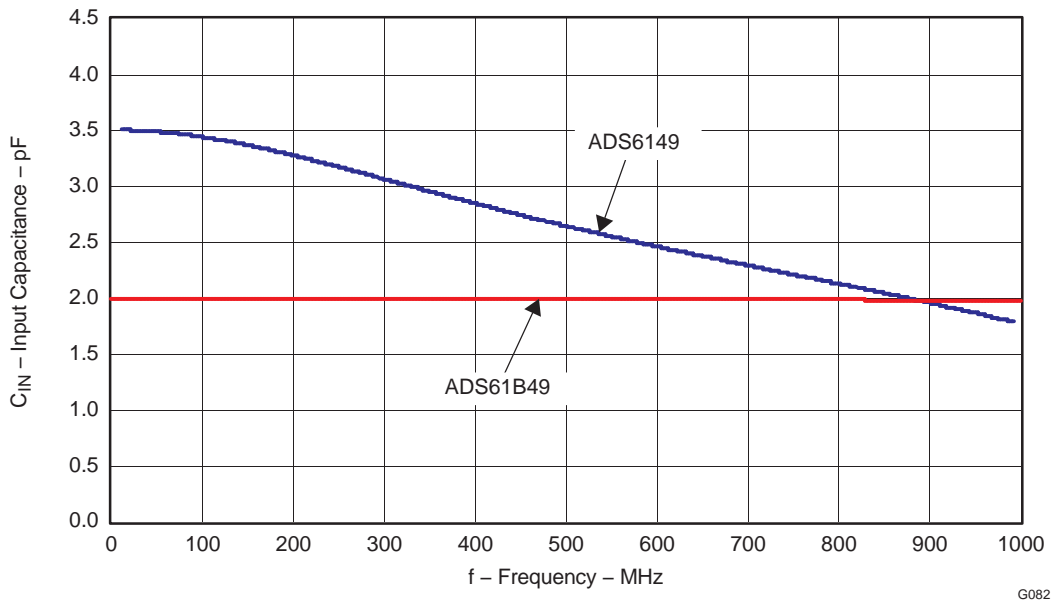


Figure 63. ADC Analog Input Capacitance Across Frequency

### Driving Circuit

Two example driving circuit configurations are shown in [Figure 64](#) and [Figure 65](#) – one optimized for low input frequencies and the other for high input frequencies. Notice in both cases that the board circuitry is simplified compared to the non-buffered ADS6149. In [Figure 64](#), a single transformer is used and is suited for low input frequencies and works for some high frequency applications as well. To optimize even-harmonic performance at high input frequencies (> 2nd Nyquist), the use of back-to-back transformers is recommended (see [Figure 65](#)).

Note that both drive circuits have been terminated by 50-Ω near the ADC side. The ac-coupling capacitors allow the analog inputs to self-bias around the required common-mode voltage.

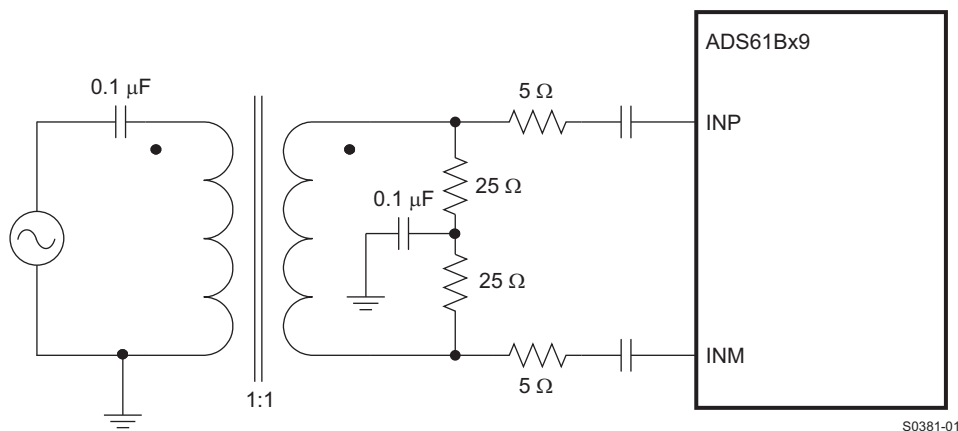


Figure 64. Drive Circuit for Low Frequencies

The mismatch in the transformer parasitic capacitance (between the windings) results in degraded even-order harmonic performance. Connecting two identical RF transformers back-to-back helps minimize this mismatch and good performance is obtained for high frequency input signals. An additional termination resistor pair may be required between the two transformers as shown in the figures. The center point of this termination is connected to ground to improve the balance between the P and M sides. The values of the terminations between the transformers and on the secondary side have to be chosen to achieve an effective 50-Ω (in the case of 50-Ω source impedance).

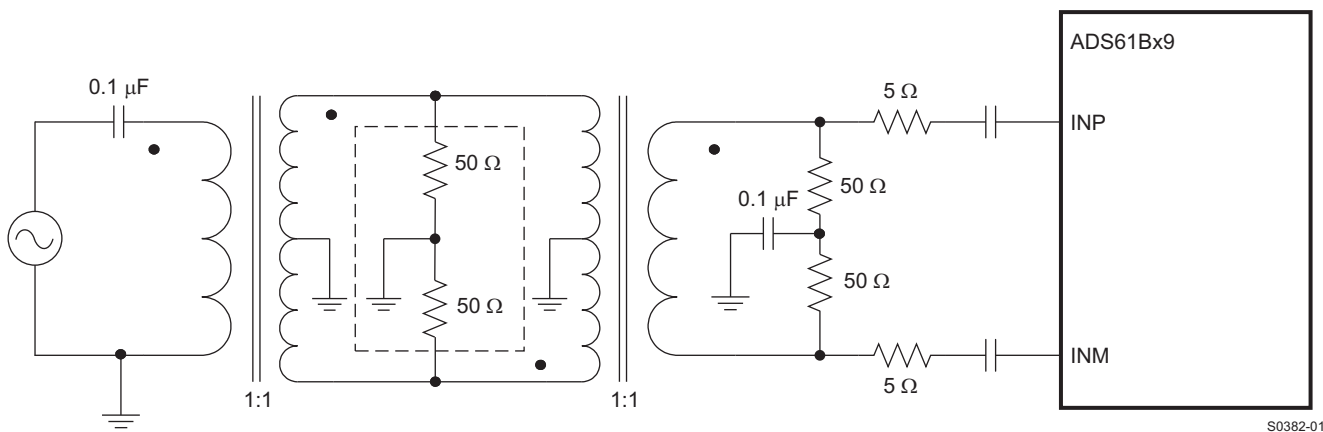


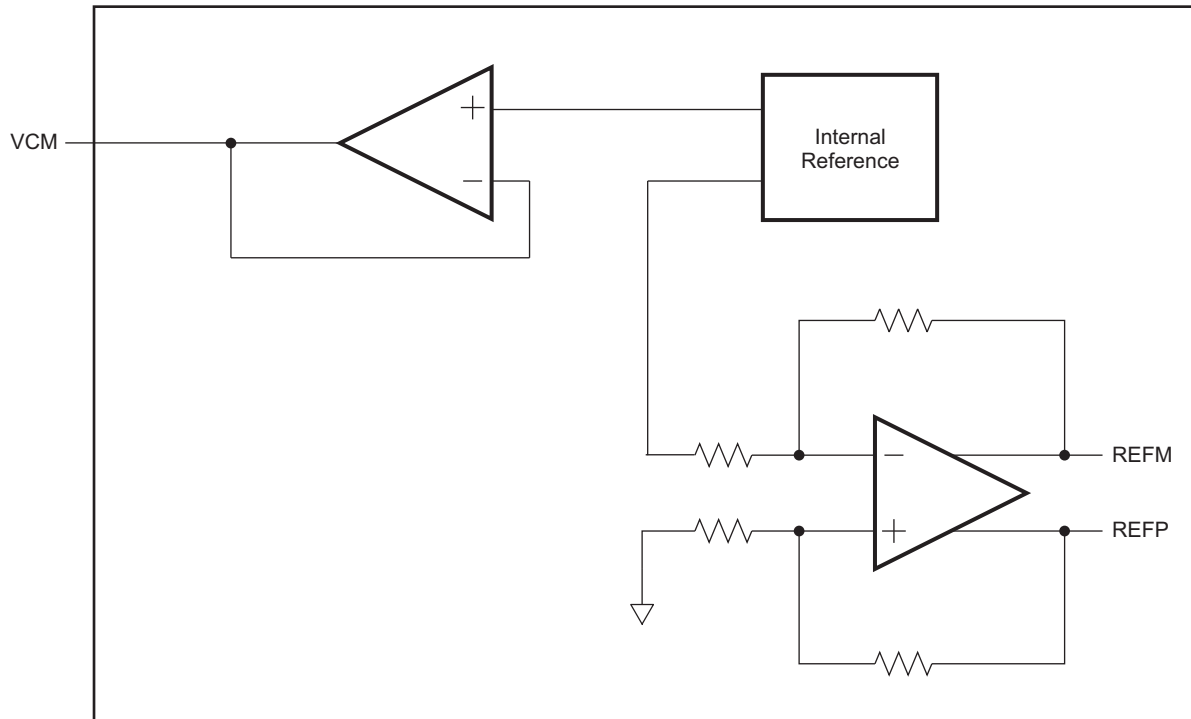
Figure 65. Drive Circuit for High Frequencies

### Input Common-Mode

To ensure a low-noise common-mode reference, the VCM pin is filtered with a 0.1-μF low-inductance capacitor connected to ground. The input common-mode voltage is nominally 2.3 V, which is 1.5 V for the ADS6149.

## REFERENCE

The ADS61B49/29 have built-in internal references REFP and REFM, requiring no external components. Design schemes are used to linearize the converter load seen by the references; this and the on-chip integration of the requisite reference capacitors eliminates the need for external decoupling. External reference mode is not supported. The reference generates the VCM output (2.3 V).

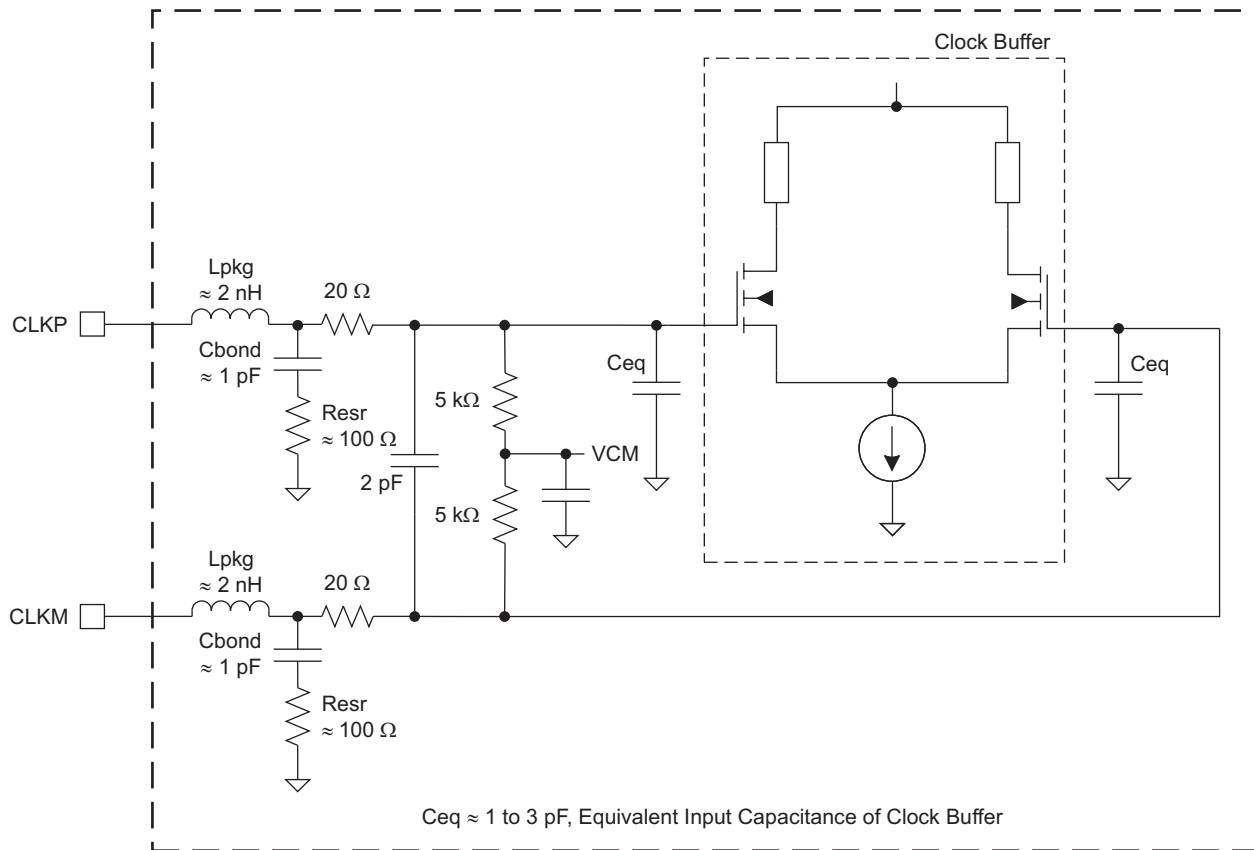


S0165-10

Figure 66. Reference Section

## CLOCK INPUT

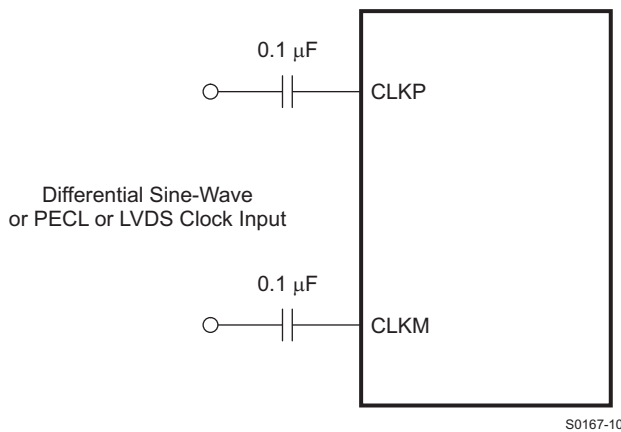
The ADS61B49/29 clock inputs can be driven differentially (sine, LVPECL, or LVDS) or single-ended (LVCMOS) with little or no difference in performance between them. The common-mode voltage of the clock inputs is set to VCM using internal 5-k $\Omega$  resistors. This allows using transformer-coupled drive circuits for sine wave clock or ac-coupling for LVPECL, LVDS clock sources.



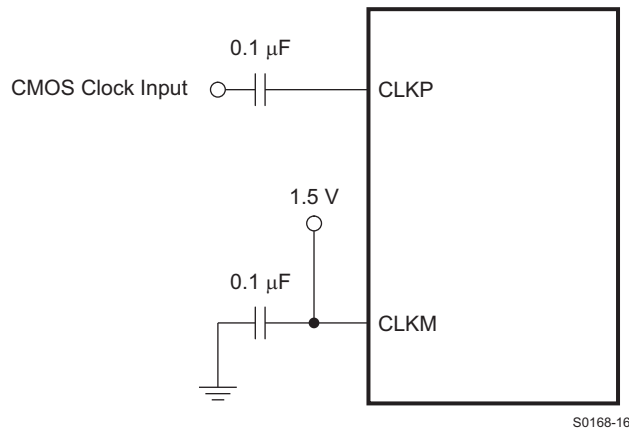
S0275-04

**Figure 67. Internal Clock Buffer**

A single-ended CMOS clock can be ac-coupled to the CLKP input, with CLKM connected to ground with a 0.1- $\mu\text{F}$  capacitor, as shown in Figure 69. For best performance, the clock inputs have to be driven differentially, reducing susceptibility to common-mode noise. For high input frequency sampling, it is recommended to use a clock source with very low jitter. Band-pass filtering of the clock source can help reduce the effect of jitter. There is no change in performance with a non-50% duty cycle clock input.



**Figure 68. Differential Clock Driving Circuit**



**Figure 69. Single-Ended Clock Driving Circuit**

## FINE GAIN CONTROL

The ADS61B49/29 include gain settings that can be used to get improved SFDR performance (compared to no gain) or to reduce the required full-scale input voltage. The gain is programmable from 0 dB to 6 dB (in 0.5-dB steps). For each gain setting, the analog input full-scale range scales proportionally, as shown in [Table 9](#).

The SFDR improvement is achieved at the expense of SNR; for each gain setting, the SNR degrades about 0.5–1 dB. The SNR degradation is less at high input frequencies. As a result, the fine gain is useful at high input frequencies as the SFDR improvement is significant with marginal degradation in SNR.

So, the fine gain can be used to trade-off between SFDR and SNR. Note that the default gain after reset is 0 dB.

**Table 9. Full-Scale Range Across Gains**

| GAIN, dB | TYPE                | FULL-SCALE, V <sub>PP</sub> |
|----------|---------------------|-----------------------------|
| 0        | Default after reset | 2 V                         |
| 1        | Fine, programmable  | 1.78                        |
| 2        |                     | 1.59                        |
| 3        |                     | 1.42                        |
| 4        |                     | 1.26                        |
| 5        |                     | 1.12                        |
| 6        |                     | 1.00                        |

## OFFSET CORRECTION

The ADS61B49/29 have an internal offset correction algorithm that estimates and corrects the dc offset up to ±10 mV. The correction can be enabled using the serial register bit <ENABLE OFFSET CORR>. Once enabled, the algorithm estimates the channel offset and applies the correction every clock cycle. The time constant of the correction loop is a function of the sampling clock frequency. The time constant can be controlled using register bits <OFFSET CORR TIME CONSTANT> as described in [Table 10](#).

After the offset is estimated, the correction can be locked in by setting <OFFSET CORR TIME CONSTANT> = 0. Once locked, the last estimated value is used for offset correction every clock cycle. Note that offset correction is disabled by default after a reset.

[Figure 70](#) shows the time response of the offset correction algorithm, after it is enabled.

**Table 10. Time Constant of Offset Correction Algorithm**

| <OFFSET CORR TIME CONSTANT> D3-D0 | TIME CONSTANT (T <sub>CCLK</sub> ), NUMBER OF CLOCK CYCLES | TIME CONSTANT, sec (T <sub>CCLK</sub> × 1/F <sub>s</sub> ) <sup>(1)</sup> |
|-----------------------------------|--|---|
| 0000                              | 256 k  | 1 ms  |
| 0001                              | 512 k  | 2 ms  |
| 0010                              | 1 M  | 4 ms  |
| 0011                              | 2 M  | 8 ms  |
| 0100                              | 4 M  | 17 ms   |
| 0101                              | 8 M  | 33 ms   |
| 0110                              | 16 M   | 67 ms   |
| 0111                              | 32 M   | 134 ms  |
| 1000                              | 64 M   | 268 ms  |
| 1001                              | 128 M  | 536 ms  |
| 1010                              | 256 M  | 1.1 s   |
| 1011                              | 512 M  | 2.2 s   |
| 1100                              | Reserved   | –   |
| 1101                              | Reserved   | –   |
| 1110                              | Reserved   | –   |

(1) Sampling frequency, F<sub>s</sub> = 250 MSPS

Table 10. Time Constant of Offset Correction Algorithm (continued)

| <OFFSET CORR TIME CONSTANT> D3-D0 | TIME CONSTANT (T <sub>CCLK</sub> ), NUMBER OF CLOCK CYCLES | TIME CONSTANT, sec (T <sub>CCLK</sub> × 1/F <sub>s</sub> ) <sup>(1)</sup> |
|-----------------------------------|--|---|
| 1111                              | Reserved   | –   |

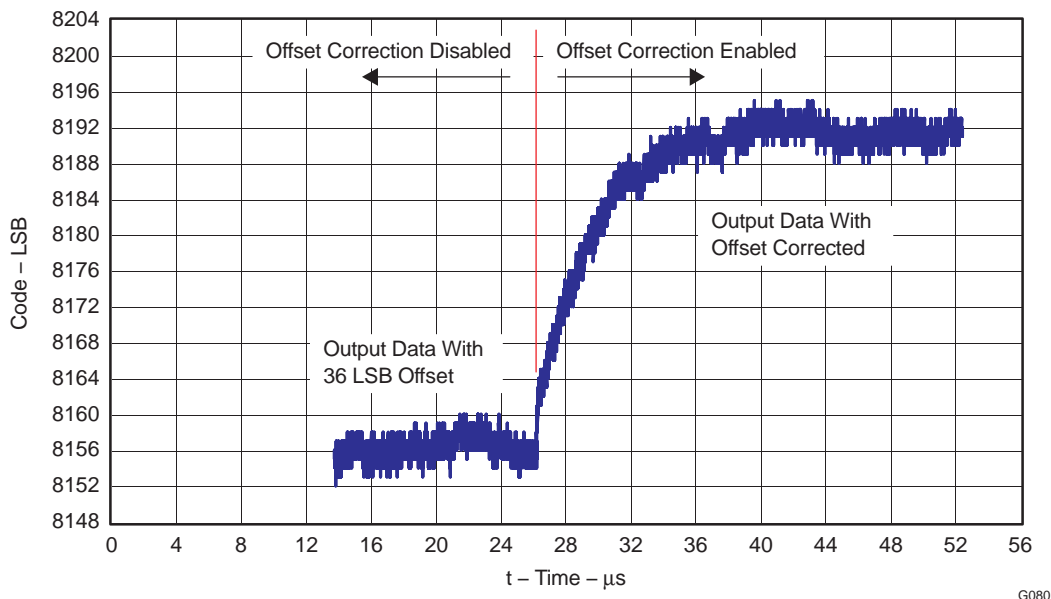


Figure 70. Output Code Time Response with Offset Correction Enabled

## POWER DOWN

The ADS61B49/29 have three power-down modes – power-down global, standby, and output buffer disable.

### Power-Down Global

In this mode, the entire chip including the A/D converter, the internal reference, and the output buffers are powered down resulting in reduced total power dissipation of about 20 mW. The output buffers are in a high impedance state. The wake-up time from global power down to data becoming valid in normal mode is typically 25 μs.

This can be controlled using register bit <PDN GLOBAL> or using the SDATA pin (in parallel configuration mode).

### Standby

Here, only the A/D converter is powered down and the internal references are active, resulting in a fast wake-up time of 300 ns. The total power dissipation in standby is about 120 mW.

This can be controlled using register bit <STANDBY>.

### Output Buffer Disable

The output buffers can be disabled and put in a high impedance state – wakeup time from this mode is fast, about 40 ns. This can be controlled using register bit <PDN OBUF>.

### Input Clock Stop

In addition to the above, the converter enters a low-power mode when the input clock frequency falls below 1 MSPS. The power dissipation is about 120 mW.

## POWER SUPPLY SEQUENCE

During power-up, the AVDD and DRVDD supplies can come up in any sequence. The two supplies are separated in the device.

## DIGITAL OUTPUT INFORMATION

The ADS61B49/29 provide 14-bit/12-bit data and an output clock synchronized with the data.

### Output Interface

Two output interface options are available – double data rate (DDR) LVDS and parallel CMOS. They can be selected using the serial interface register bit <ODI> or using the DFS pin in parallel configuration mode.

### DDR LVDS Outputs

In this mode, the data bits and clock are output using low voltage differential signal (LVDS) levels. Two data bits are multiplexed and output on each LVDS differential pair.

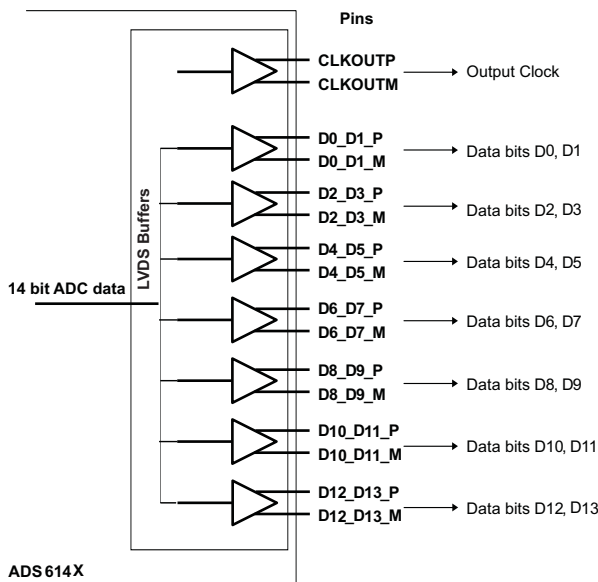


Figure 71. 14-Bit ADC LVDS Outputs

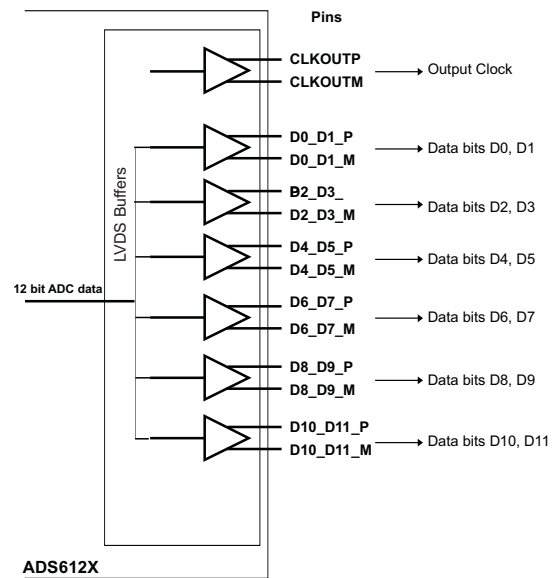


Figure 72. 12-Bit ADC LVDS Outputs

Even data bits D0, D2, D4... are output at the falling edge of CLKOUTP, and the odd data bits D1, D3, D5... are output at the rising edge of CLKOUTP. Both the rising and falling edges of CLKOUTP have to be used to capture all of the data bits (see [Figure 73](#)).



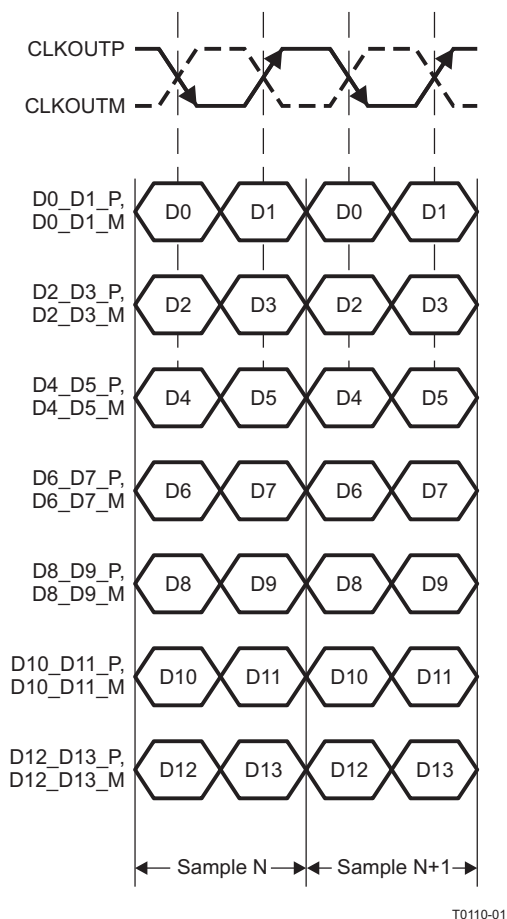
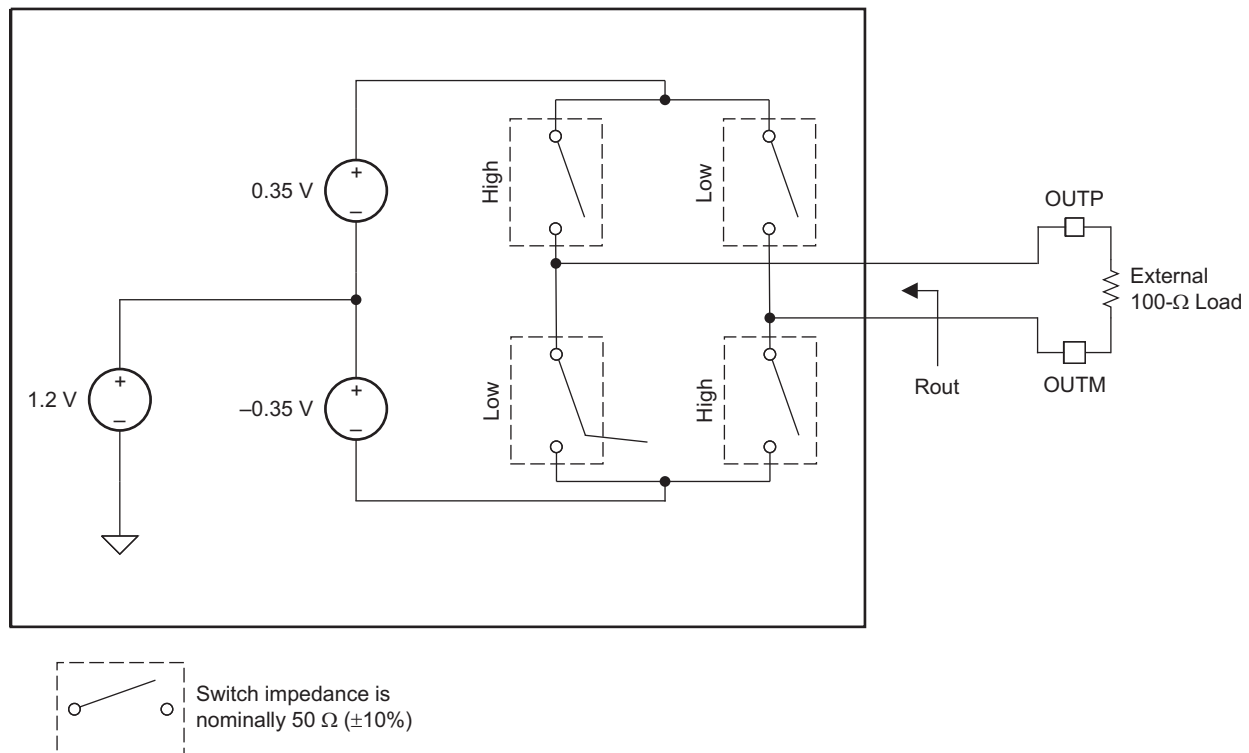


Figure 73. DDR LVDS Interface

### LVDS Buffer

The equivalent circuit of each LVDS output buffer is shown in [Figure 74](#). The buffer is designed to present an output impedance of 100 Ω (Rout). The differential outputs can be terminated at the receive end by a 100-Ω termination. The buffer output impedance behaves like a source-side series termination. By absorbing reflections from the receiver end, it helps to improve signal integrity. Note that this internal termination cannot be disabled and its value cannot be changed.



When the High switches are closed,  $OUTP = 1.375\text{ V}$ ,  $OUTM = 1.025\text{ V}$   
 When the Low switches are closed,  $OUTP = 1.025\text{ V}$ ,  $OUTM = 1.375\text{ V}$   
 When the High (or Low) switches are closed,  $R_{out} = 100\ \Omega$

S0374-02

Figure 74. LVDS Buffer Equivalent Circuit

### Parallel CMOS Interface

In CMOS mode, each data bit is output on a separate pin as a CMOS voltage level, every clock cycle. The rising edge of the output clock CLKOUT can be used to latch data in the receiver (**for sampling frequencies up to approximately 150 MSPS**).

Up to 150 MSPS, the setup and hold timings of the output data with respect to CLKOUT are specified. It is recommended to minimize the load capacitance seen by data and clock output pins by using short traces to the receiver. Also, match the output data and clock traces to minimize the skew between them.

**For sampling frequencies > 150 MSPS** in CMOS mode, it is recommended to use an external clock to capture data. The input clock to output data delay and data valid times are specified for the higher sampling frequencies. These timings can be used to delay the input clock appropriately and use it to capture the data (see Figure 4). It is recommended to consider using the LVDS output mode at high sample rates due to device and board noise generated by the CMOS mode.

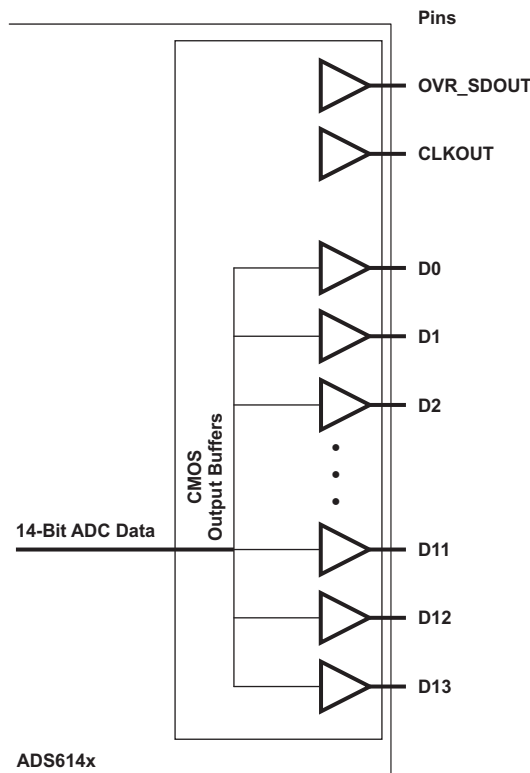


Figure 75. CMOS Output Interface

### Output Buffer Strength Programmability

Switching noise (caused by CMOS output data transitions) can couple into the analog inputs during the instant of sampling and degrade the SNR. The coupling and SNR degradation increases as the output buffer drive is made stronger. To minimize this, the CMOS output buffers are designed with a controlled drive strength to achieve the best SNR. The default drive strength also ensures a wide data stable window for load capacitances up to 5 pF.

### CMOS Interface Power Dissipation

With CMOS outputs, the DRVDD current scales with the sampling frequency and the load capacitance on every output pin. The maximum DRVDD current occurs when each output bit toggles between 0 and 1 every clock cycle. In an actual application, the DRVDD current would be determined by the average number of output bits switching, which is a function of the sampling frequency and the nature of the analog input signal.

$$\text{Digital current due to CMOS output switching} = C_L \times \text{DRVDD} \times (N \times F_{\text{AVG}}),$$

where

$C_L$  = load capacitance,

$N \times F_{\text{AVG}}$  = average number of output bits switching.

Figure 54 shows the current across the sampling frequencies with a 3-MHz analog input frequency.

### Output Data Format

Two output data formats are supported – 2s complement and offset binary. They can be selected using the serial interface register bit **<DATA FORMAT>** or controlling the DFS pin in parallel configuration mode.

In the event of an input voltage overdrive, the digital outputs go to the appropriate full-scale level. For a positive overdrive, the output code is 0x3FFF in offset binary output format, and 0x1FFF in 2s complement output format. For a negative input overdrive, the output code is 0x0000 in offset binary output format and 0x2000 in 2s complement output format.

## **BOARD DESIGN CONSIDERATIONS**

### **Grounding**

A single ground plane is sufficient to achieve good performance, provided the analog, digital, and clock sections of the board are cleanly partitioned. See the EVM User Guide for details on layout and grounding.

### **Supply Decoupling**

As the ADS61B49/29 already include internal decoupling, minimal external decoupling can be used without a loss in performance. Note that decoupling capacitors can help filter external power supply noise, so the optimum number of capacitors depends on the actual application. The decoupling capacitors should be placed very close to the converter supply pins.

### **Exposed Pad**

In addition to providing a path for heat dissipation, the pad is also electrically connected to digital ground internally. So, it is necessary to solder the exposed pad to the ground plane for best thermal and electrical performance.

For detailed information, see the application notes for QFN Layout Guidelines ([SLOA122](#)) and QFN/SON PCB Attachment ([SLUA271](#)).

## DEFINITION OF SPECIFICATIONS

**Analog Bandwidth** – The analog input frequency at which the power of the fundamental is reduced by 3 dB with respect to the low frequency value.

**Aperture Delay** – The delay in time between the rising edge of the input sampling clock and the actual time at which the sampling occurs. This delay will be different across channels. The maximum variation is specified as aperture delay variation (channel-channel).

**Aperture Uncertainty (Jitter)** – The sample-to-sample variation in aperture delay.

**Clock Pulse Width/Duty Cycle** – The duty cycle of a clock signal is the ratio of the time the clock signal remains at a logic high (clock pulse width) to the period of the clock signal. Duty cycle is typically expressed as a percentage. A perfect differential sine-wave clock results in a 50% duty cycle.

**Maximum Conversion Rate** – The maximum sampling rate at which certified operation is given. All parametric testing is performed at this sampling rate unless otherwise noted.

**Minimum Conversion Rate** – The minimum sampling rate at which the ADC functions.

**Differential Nonlinearity (DNL)** – An ideal ADC exhibits code transitions at analog input values spaced exactly 1 LSB apart. The DNL is the deviation of any single step from this ideal value, measured in units of LSBs.

**Integral Nonlinearity (INL)** – The INL is the deviation of the ADC transfer function from a best fit line determined by a least squares curve fit of that transfer function, measured in units of LSBs.

**Gain Error** – Gain error is the deviation of the ADC actual input full-scale range from its ideal value. The gain error is given as a percentage of the ideal input full-scale range. Gain error has two components: error due to reference inaccuracy and error due to the channel. Both these errors are specified independently as  $E_{GREF}$  and  $E_{GCHAN}$ .

To a first order approximation, the total gain error is  $E_{TOTAL} \sim E_{GREF} + E_{GCHAN}$ .

For example, if  $E_{TOTAL} = \pm 0.5\%$ , the full-scale input varies from  $(1 - 0.5/100) \times FS_{ideal}$  to  $(1 + 0.5/100) \times FS_{ideal}$ .

**Offset Error** – The offset error is the difference, given in number of LSBs, between the actual average idle channel output code and the ideal average idle channel output code of the ADC. This quantity is often mapped into mV.

**Temperature Drift** – The temperature drift coefficient (with respect to gain error and offset error) specifies the change per degree Celsius of the parameter from  $T_{MIN}$  to  $T_{MAX}$ . It is calculated by dividing the maximum deviation of the parameter across the  $T_{MIN}$  to  $T_{MAX}$  range by the difference  $T_{MAX} - T_{MIN}$ .

**Signal-to-Noise Ratio** – SNR is the ratio of the power of the fundamental ( $P_S$ ) to the noise floor power ( $P_N$ ), excluding the power at DC and the first nine harmonics.

$$SNR = 10 \log_{10} \frac{P_S}{P_N} \quad (1)$$

SNR is either given in units of dBc (dB to carrier) when the absolute power of the fundamental is used as the reference, or dBFS (dB to full scale) when the power of the fundamental is extrapolated to the full-scale range of the converter.

**Signal-to-Noise and Distortion (SINAD)** – SINAD is the ratio of the power of the fundamental ( $P_S$ ) to the power of all the other spectral components including noise ( $P_N$ ) and distortion ( $P_D$ ), but excluding dc.

$$SINAD = 10 \log_{10} \frac{P_S}{P_N + P_D} \quad (2)$$

SINAD is either given in units of dBc (dB to carrier) when the absolute power of the fundamental is used as the reference, or dBFS (dB to full scale) when the power of the fundamental is extrapolated to the full-scale range of the converter.

**Effective Number of Bits (ENOB)** – The ENOB is a measure of the converter performance as compared to the theoretical limit based on quantization noise.

$$\text{ENOB} = \frac{\text{SINAD} - 1.76}{6.02} \quad (3)$$

**Total Harmonic Distortion (THD)** – THD is the ratio of the power of the fundamental ( $P_S$ ) to the power of the first nine harmonics ( $P_N$ ).

$$\text{THD} = 10\text{Log}^{10} \frac{P_S}{P_N} \quad (4)$$

THD is typically given in units of dBc (dB to carrier).

**Spurious-Free Dynamic Range (SFDR)** – The ratio of the power of the fundamental to the highest other spectral component (either spur or harmonic). SFDR is typically given in units of dBc (dB to carrier).

**Two-Tone Intermodulation Distortion** – IMD3 is the ratio of the power of the fundamental (at frequencies  $f_1$  and  $f_2$ ) to the power of the worst spectral component at either frequency  $2f_1-f_2$  or  $2f_2-f_1$ . IMD3 is either given in units of dBc (dB to carrier) when the absolute power of the fundamental is used as the reference, or dBFS (dB to full scale) when the power of the fundamental is extrapolated to the converter's full-scale range.

**DC Power Supply Rejection Ratio (DC PSRR)** – The DC PSRR is the ratio of the change in offset error to a change in analog supply voltage. The DC PSRR is typically given in units of mV/V.

**AC Power Supply Rejection Ratio (AC PSRR)** – AC PSRR is the measure of rejection of variations in the supply voltage by the ADC. If  $\Delta V_{\text{SUP}}$  is the change in supply voltage and  $\Delta V_{\text{OUT}}$  is the resultant change of the ADC output code (referred to the input), then

$$\text{PSRR} = 20\text{Log}^{10} \frac{\Delta V_{\text{OUT}}}{\Delta V_{\text{SUP}}} \quad (\text{Expressed in dBc}) \quad (5)$$

**Voltage Overload Recovery** – The number of clock cycles taken to recover to less than 1% error after an overload on the analog inputs. This is tested by separately applying a sine wave signal with 6dB positive and negative overload. The deviation of the first few samples after the overload (from their expected values) is noted.

**Common Mode Rejection Ratio (CMRR)** – CMRR is the measure of rejection of variation in the analog input common-mode by the ADC. If  $\Delta V_{\text{CM\_IN}}$  is the change in the common-mode voltage of the input pins and  $\Delta V_{\text{OUT}}$  is the resultant change of the ADC output code (referred to the input), then

$$\text{CMRR} = 20\text{Log}^{10} \frac{\Delta V_{\text{OUT}}}{\Delta V_{\text{CM}}} \quad (\text{Expressed in dBc}) \quad (6)$$

**Cross-Talk (only for multi-channel ADC)**– This is a measure of the internal coupling of a signal from adjacent channel into the channel of interest. It is specified separately for coupling from the immediate neighboring channel (near-channel) and for coupling from channel across the package (far-channel). It is usually measured by applying a full-scale signal in the adjacent channel. Cross-talk is the ratio of the power of the coupling signal (as measured at the output of the channel of interest) to the power of the signal applied at the adjacent channel input. It is typically expressed in dBc.

**PACKAGING INFORMATION**

| Orderable Device | Status <sup>(1)</sup> | Package Type | Package Drawing | Pins | Package Qty | Eco Plan <sup>(2)</sup> | Lead/Ball Finish | MSL Peak Temp <sup>(3)</sup> |
|------------------|-----------------------|--------------|-----------------|------|-------------|-------------------------|------------------|------------------------------|
| ADS61B29IRGZR    | ACTIVE                | QFN          | RGZ             | 48   | 2500        | Green (RoHS & no Sb/Br) | CU NIPDAU        | Level-3-260C-168 HR          |
| ADS61B29IRGZT    | ACTIVE                | QFN          | RGZ             | 48   | 250         | Green (RoHS & no Sb/Br) | CU NIPDAU        | Level-3-260C-168 HR          |
| ADS61B49IRGZR    | ACTIVE                | QFN          | RGZ             | 48   | 2500        | Green (RoHS & no Sb/Br) | CU NIPDAU        | Level-3-260C-168 HR          |
| ADS61B49IRGZT    | ACTIVE                | QFN          | RGZ             | 48   | 250         | Green (RoHS & no Sb/Br) | CU NIPDAU        | Level-3-260C-168 HR          |

<sup>(1)</sup> The marketing status values are defined as follows:

**ACTIVE:** Product device recommended for new designs.

**LIFEBUY:** TI has announced that the device will be discontinued, and a lifetime-buy period is in effect.

**NRND:** Not recommended for new designs. Device is in production to support existing customers, but TI does not recommend using this part in a new design.

**PREVIEW:** Device has been announced but is not in production. Samples may or may not be available.

**OBSOLETE:** TI has discontinued the production of the device.

<sup>(2)</sup> Eco Plan - The planned eco-friendly classification: Pb-Free (RoHS), Pb-Free (RoHS Exempt), or Green (RoHS & no Sb/Br) - please check <http://www.ti.com/productcontent> for the latest availability information and additional product content details.

**TBD:** The Pb-Free/Green conversion plan has not been defined.

**Pb-Free (RoHS):** TI's terms "Lead-Free" or "Pb-Free" mean semiconductor products that are compatible with the current RoHS requirements for all 6 substances, including the requirement that lead not exceed 0.1% by weight in homogeneous materials. Where designed to be soldered at high temperatures, TI Pb-Free products are suitable for use in specified lead-free processes.

**Pb-Free (RoHS Exempt):** This component has a RoHS exemption for either 1) lead-based flip-chip solder bumps used between the die and package, or 2) lead-based die adhesive used between the die and leadframe. The component is otherwise considered Pb-Free (RoHS compatible) as defined above.

**Green (RoHS & no Sb/Br):** TI defines "Green" to mean Pb-Free (RoHS compatible), and free of Bromine (Br) and Antimony (Sb) based flame retardants (Br or Sb do not exceed 0.1% by weight in homogeneous material)

<sup>(3)</sup> MSL, Peak Temp. -- The Moisture Sensitivity Level rating according to the JEDEC industry standard classifications, and peak solder temperature.

**Important Information and Disclaimer:**The information provided on this page represents TI's knowledge and belief as of the date that it is provided. TI bases its knowledge and belief on information provided by third parties, and makes no representation or warranty as to the accuracy of such information. Efforts are underway to better integrate information from third parties. TI has taken and continues to take reasonable steps to provide representative and accurate information but may not have conducted destructive testing or chemical analysis on incoming materials and chemicals. TI and TI suppliers consider certain information to be proprietary, and thus CAS numbers and other limited information may not be available for release.

In no event shall TI's liability arising out of such information exceed the total purchase price of the TI part(s) at issue in this document sold by TI to Customer on an annual basis.

**TAPE AND REEL INFORMATION**



**QUADRANT ASSIGNMENTS FOR PIN 1 ORIENTATION IN TAPE**



\*All dimensions are nominal

| Device        | Package Type | Package Drawing | Pins | SPQ  | Reel Diameter (mm) | Reel Width W1 (mm) | A0 (mm) | B0 (mm) | K0 (mm) | P1 (mm) | W (mm) | Pin1 Quadrant |
|---------------|--------------|-----------------|------|------|--------------------|--------------------|---------|---------|---------|---------|--------|---------------|
| ADS61B29IRGZR | QFN          | RGZ             | 48   | 2500 | 330.0              | 16.4               | 7.3     | 7.3     | 1.5     | 12.0    | 16.0   | Q2            |
| ADS61B29IRGZT | QFN          | RGZ             | 48   | 250  | 330.0              | 16.4               | 7.3     | 7.3     | 1.5     | 12.0    | 16.0   | Q2            |
| ADS61B49IRGZR | QFN          | RGZ             | 48   | 2500 | 330.0              | 16.4               | 7.3     | 7.3     | 1.5     | 12.0    | 16.0   | Q2            |
| ADS61B49IRGZT | QFN          | RGZ             | 48   | 250  | 330.0              | 16.4               | 7.3     | 7.3     | 1.5     | 12.0    | 16.0   | Q2            |



**TAPE AND REEL BOX DIMENSIONS**

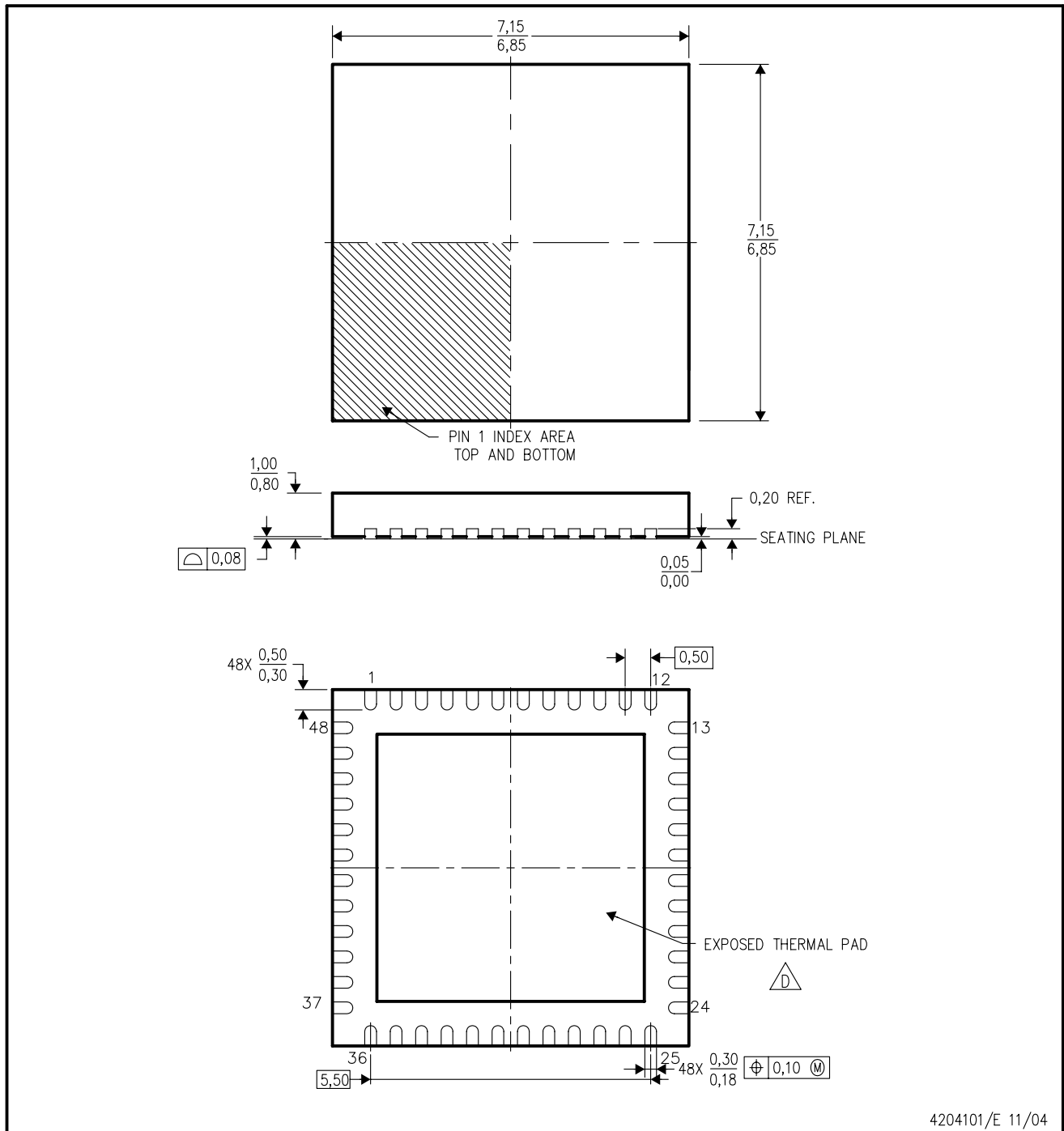


\*All dimensions are nominal

| Device        | Package Type | Package Drawing | Pins | SPQ  | Length (mm) | Width (mm) | Height (mm) |
|---------------|--------------|-----------------|------|------|-------------|------------|-------------|
| ADS61B29IRGZR | QFN          | RGZ             | 48   | 2500 | 333.2       | 345.9      | 28.6        |
| ADS61B29IRGZT | QFN          | RGZ             | 48   | 250  | 333.2       | 345.9      | 28.6        |
| ADS61B49IRGZR | QFN          | RGZ             | 48   | 2500 | 333.2       | 345.9      | 28.6        |
| ADS61B49IRGZT | QFN          | RGZ             | 48   | 250  | 333.2       | 345.9      | 28.6        |

RGZ (S-PQFP-N48)

PLASTIC QUAD FLATPACK



4204101/E 11/04

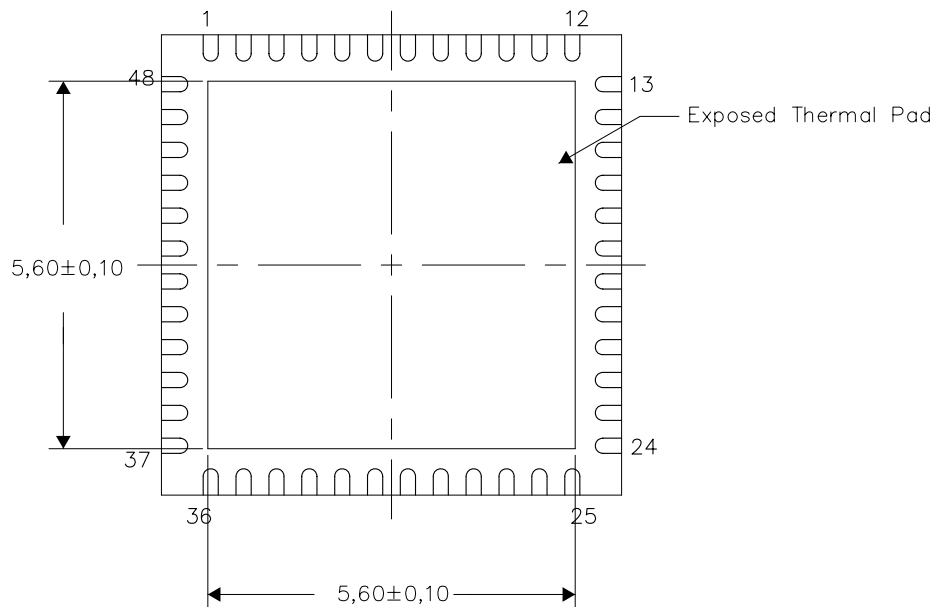
- NOTES:
- A. All linear dimensions are in millimeters. Dimensioning and tolerancing per ASME Y14.5M-1994.
  - B. This drawing is subject to change without notice.
  - C. Quad Flatpack, No-leads (QFN) package configuration.
  - D. The package thermal pad must be soldered to the board for thermal and mechanical performance. See the Product Data Sheet for details regarding the exposed thermal pad dimensions.
  - E. Falls within JEDEC MO-220.

**THERMAL INFORMATION**

This package incorporates an exposed thermal pad that is designed to be attached directly to an external heatsink. The thermal pad must be soldered directly to the printed circuit board (PCB). After soldering, the PCB can be used as a heatsink. In addition, through the use of thermal vias, the thermal pad can be attached directly to the appropriate copper plane shown in the electrical schematic for the device, or alternatively, can be attached to a special heatsink structure designed into the PCB. This design optimizes the heat transfer from the integrated circuit (IC).

For information on the Quad Flatpack No-Lead (QFN) package and its advantages, refer to Application Report, QFN/SON PCB Attachment, Texas Instruments Literature No. SLUA271. This document is available at www.ti.com.

The exposed thermal pad dimensions for this package are shown in the following illustration.

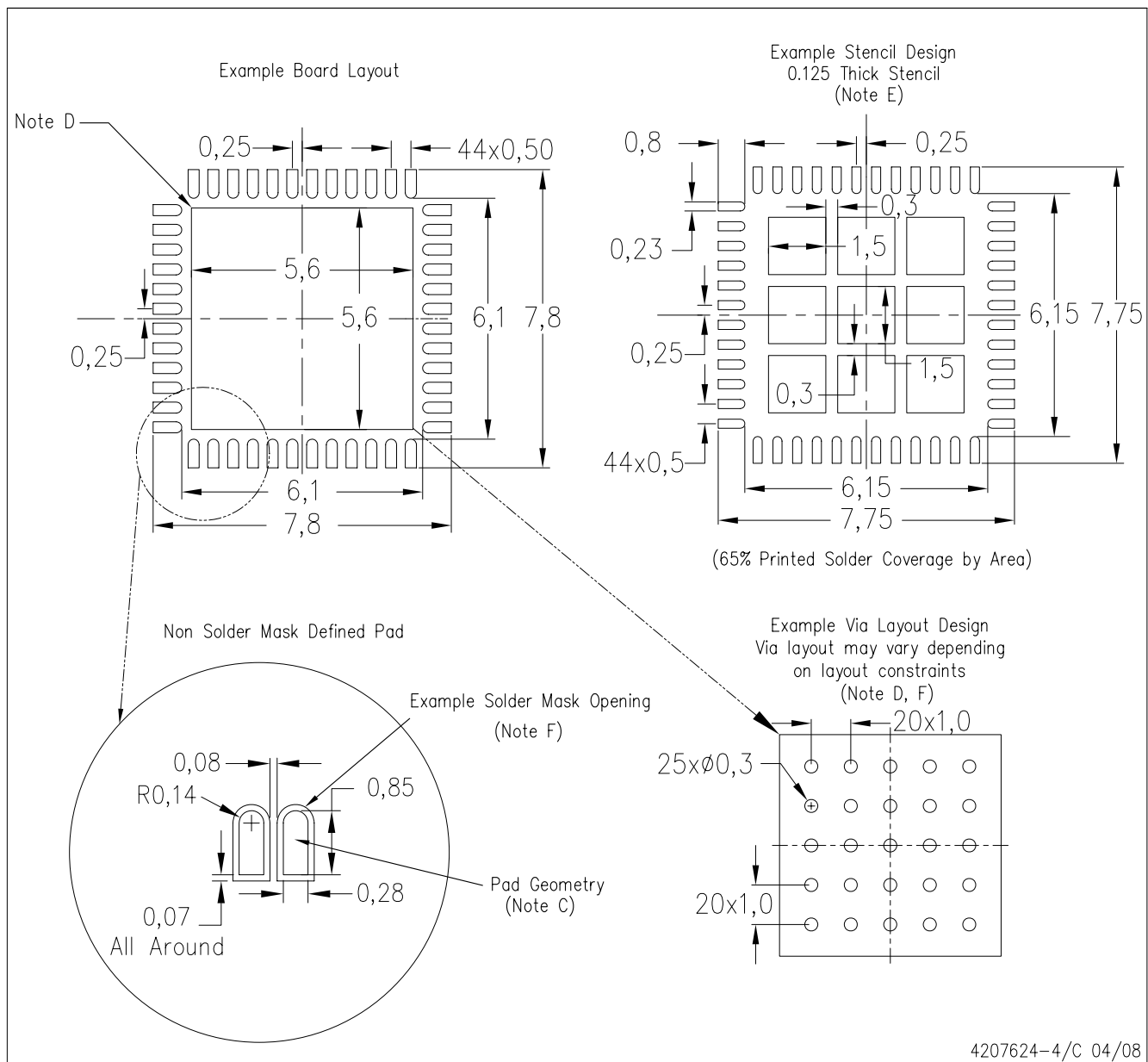


Bottom View

NOTE: All linear dimensions are in millimeters

Exposed Thermal Pad Dimensions

RGZ (S-PVQFN-N48)



4207624-4/C 04/08

- NOTES:
- A. All linear dimensions are in millimeters.
  - B. This drawing is subject to change without notice.
  - C. Publication IPC-7351 is recommended for alternate designs.
  - D. This package is designed to be soldered to a thermal pad on the board. Refer to Application Note, Quad Flat-Pack Packages, Texas Instruments Literature No. SCBA017, SLUA271, and also the Product Data Sheets for specific thermal information, via requirements, and recommended board layout. These documents are available at [www.ti.com](http://www.ti.com) <<http://www.ti.com>>.
  - E. Laser cutting apertures with trapezoidal walls and also rounding corners will offer better paste release. Customers should contact their board assembly site for stencil design recommendations. Refer to IPC 7525 for stencil design considerations.
  - F. Customers should contact their board fabrication site for recommended solder mask tolerances and via tenting recommendations for vias placed in the thermal pad.

## IMPORTANT NOTICE

Texas Instruments Incorporated and its subsidiaries (TI) reserve the right to make corrections, modifications, enhancements, improvements, and other changes to its products and services at any time and to discontinue any product or service without notice. Customers should obtain the latest relevant information before placing orders and should verify that such information is current and complete. All products are sold subject to TI's terms and conditions of sale supplied at the time of order acknowledgment.

TI warrants performance of its hardware products to the specifications applicable at the time of sale in accordance with TI's standard warranty. Testing and other quality control techniques are used to the extent TI deems necessary to support this warranty. Except where mandated by government requirements, testing of all parameters of each product is not necessarily performed.

TI assumes no liability for applications assistance or customer product design. Customers are responsible for their products and applications using TI components. To minimize the risks associated with customer products and applications, customers should provide adequate design and operating safeguards.

TI does not warrant or represent that any license, either express or implied, is granted under any TI patent right, copyright, mask work right, or other TI intellectual property right relating to any combination, machine, or process in which TI products or services are used. Information published by TI regarding third-party products or services does not constitute a license from TI to use such products or services or a warranty or endorsement thereof. Use of such information may require a license from a third party under the patents or other intellectual property of the third party, or a license from TI under the patents or other intellectual property of TI.

Reproduction of TI information in TI data books or data sheets is permissible only if reproduction is without alteration and is accompanied by all associated warranties, conditions, limitations, and notices. Reproduction of this information with alteration is an unfair and deceptive business practice. TI is not responsible or liable for such altered documentation. Information of third parties may be subject to additional restrictions.

Resale of TI products or services with statements different from or beyond the parameters stated by TI for that product or service voids all express and any implied warranties for the associated TI product or service and is an unfair and deceptive business practice. TI is not responsible or liable for any such statements.

TI products are not authorized for use in safety-critical applications (such as life support) where a failure of the TI product would reasonably be expected to cause severe personal injury or death, unless officers of the parties have executed an agreement specifically governing such use. Buyers represent that they have all necessary expertise in the safety and regulatory ramifications of their applications, and acknowledge and agree that they are solely responsible for all legal, regulatory and safety-related requirements concerning their products and any use of TI products in such safety-critical applications, notwithstanding any applications-related information or support that may be provided by TI. Further, Buyers must fully indemnify TI and its representatives against any damages arising out of the use of TI products in such safety-critical applications.

TI products are neither designed nor intended for use in military/aerospace applications or environments unless the TI products are specifically designated by TI as military-grade or "enhanced plastic." Only products designated by TI as military-grade meet military specifications. Buyers acknowledge and agree that any such use of TI products which TI has not designated as military-grade is solely at the Buyer's risk, and that they are solely responsible for compliance with all legal and regulatory requirements in connection with such use.

TI products are neither designed nor intended for use in automotive applications or environments unless the specific TI products are designated by TI as compliant with ISO/TS 16949 requirements. Buyers acknowledge and agree that, if they use any non-designated products in automotive applications, TI will not be responsible for any failure to meet such requirements.

Following are URLs where you can obtain information on other Texas Instruments products and application solutions:

### Products

|                             |  |
|-----------------------------|--|
| Amplifiers                  | <a href="http://amplifier.ti.com">amplifier.ti.com</a>             |
| Data Converters             | <a href="http://dataconverter.ti.com">dataconverter.ti.com</a>     |
| DSP                         | <a href="http://dsp.ti.com">dsp.ti.com</a>                         |
| Clocks and Timers           | <a href="http://www.ti.com/clocks">www.ti.com/clocks</a>           |
| Interface                   | <a href="http://interface.ti.com">interface.ti.com</a>             |
| Logic                       | <a href="http://logic.ti.com">logic.ti.com</a>                     |
| Power Mgmt                  | <a href="http://power.ti.com">power.ti.com</a>                     |
| Microcontrollers            | <a href="http://microcontroller.ti.com">microcontroller.ti.com</a> |
| RFID                        | <a href="http://www.ti-rfid.com">www.ti-rfid.com</a>               |
| RF/IF and ZigBee® Solutions | <a href="http://www.ti.com/lprf">www.ti.com/lprf</a>               |

### Applications

|                    |  |
|--------------------|--|
| Audio              | <a href="http://www.ti.com/audio">www.ti.com/audio</a>                   |
| Automotive         | <a href="http://www.ti.com/automotive">www.ti.com/automotive</a>         |
| Broadband          | <a href="http://www.ti.com/broadband">www.ti.com/broadband</a>           |
| Digital Control    | <a href="http://www.ti.com/digitalcontrol">www.ti.com/digitalcontrol</a> |
| Medical            | <a href="http://www.ti.com/medical">www.ti.com/medical</a>               |
| Military           | <a href="http://www.ti.com/military">www.ti.com/military</a>             |
| Optical Networking | <a href="http://www.ti.com/opticalnetwork">www.ti.com/opticalnetwork</a> |
| Security           | <a href="http://www.ti.com/security">www.ti.com/security</a>             |
| Telephony          | <a href="http://www.ti.com/telephony">www.ti.com/telephony</a>           |
| Video & Imaging    | <a href="http://www.ti.com/video">www.ti.com/video</a>                   |
| Wireless           | <a href="http://www.ti.com/wireless">www.ti.com/wireless</a>             |

Mailing Address: Texas Instruments, Post Office Box 655303, Dallas, Texas 75265  
Copyright © 2008, Texas Instruments Incorporated