

### Description

YB7000 charge high voltage photoflash capacitors quickly and efficiently. Designed for use in digital and film cameras, these devices use flyback topology to achieve efficiencies up to four times better than competing flash modules. A unique peak inductor current control mechanism maintains current-limited mode transformer operation throughout the entire charge cycle, eliminating the high inrush current often found in modules. YB7000 output voltage sensing scheme monitors the flyback voltage to directly regulate the output voltage. This feature allows the capacitor to be held at a fully charged state without excessive power consumption. Adjustable refresh time is fully controllable by the user with a resistor. The DONE pin signals that the capacitor is full charged.

### Features

- Charge Any Size Photoflash Capacitor
- Support Operation from Two AA Cells or Any Supply from 1.8V to 16V
- Use Standard transformers
- No High Voltage Zener Diode Required
- Built in 40V output switch
- Adjustable Output Voltage
- Adjustable Peak Switch Current
- Automatic Refresh with adjustable timer
- Charge Complete Indicator
- Small 8-Lead MSOP Packages

### Applications

- Digital Camera Flash unit
- Film Camera Flash Unit
- High Voltage Power Supplies
- Photoflash module for cell phone

### Typical Application Circuit

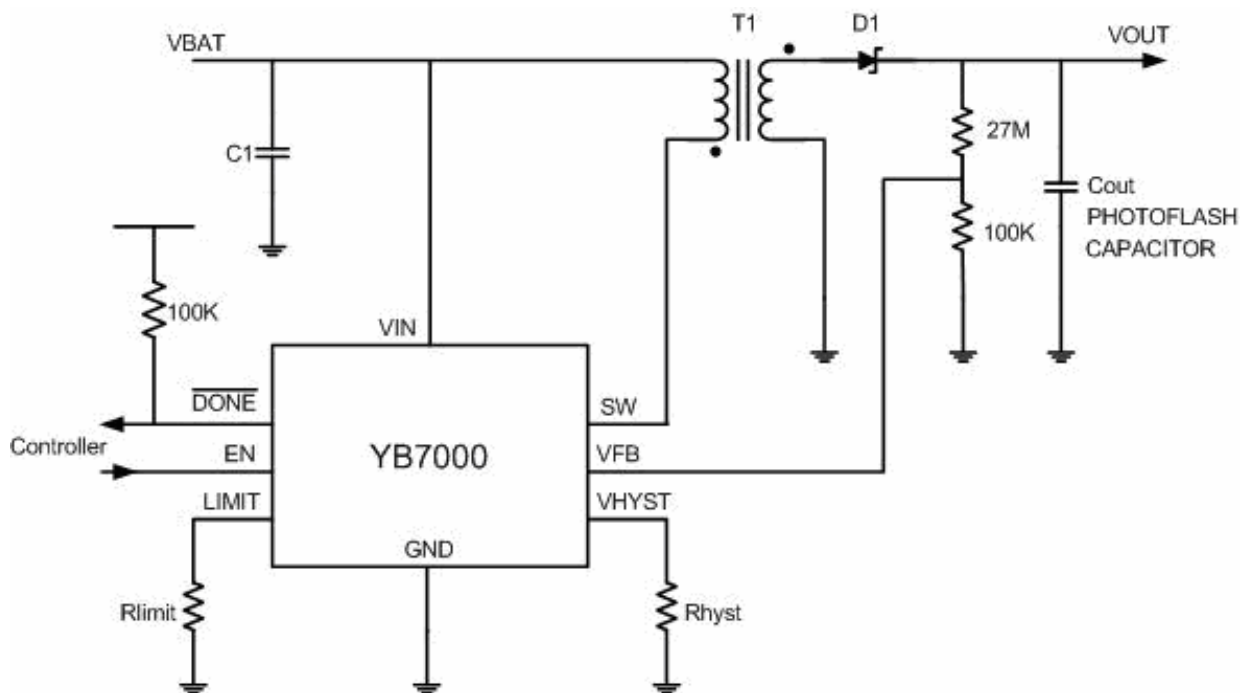


Figure 1 : Typical Application Circuit