
TRIPLE 8-/10-BIT 165-/110-MSPS, VIDEO AND GRAPHICS DIGITIZER WITH HORIZONTAL PLL

FEATURES

- **Analog Channels**
 - –6-dB to 6-dB Analog Gain
 - Analog Input Multiplexers (MUXs)
 - Automatic Video Clamp
 - Three Digitizing Channels, Each With Independently Controllable Clamp, Gain, Offset, and Analog-to-Digital Converter (ADC)
 - Clamping: Selectable Clamping Between Bottom Level and Mid-Level
 - Offset: 1024-Step Programmable RGB or YPbPr Offset Control
 - Gain: 8-Bit Programmable Gain Control
 - ADC: 8-/10-Bit 165-/110-MSPS ADC
 - Automatic Level Control (ALC) Circuit
 - Composite Sync: Integrated Sync-on-Green Extraction From Green/Luminance Channel
 - Support for DC- and AC-Coupled Input Signals
 - Supports Component Video Standards 480i, 576i, 480p, 576p, 720p, 1080i, and 1080p
 - Supports PC Graphics Inputs up to UXGA
 - Programmable RGB-to-YCbCr Color Space Conversion
- **Horizontal PLL**
 - Fully Integrated Horizontal PLL for Pixel Clock Generation
 - 12-MHz to 165-MHz Pixel Clock Generation From HSYNC Input
 - Adjustable Horizontal PLL Loop Bandwidth for Minimum Jitter
 - 5-Bit Programmable Subpixel Accurate Positioning of Sampling Phase
- **Output Formatter**
 - Supports 20-bit 4:2:2 Outputs With Embedded Syncs
 - Support for RGB/YCbCr 4:4:4 and YCbCr 4:2:2 Output Modes to Reduce Board Traces
 - Dedicated DATACLK Output With Programmable Output Polarity for Easy Latching of Output Data
- **System**
 - Industry-Standard Normal/Fast I²C Interface With Register Readback Capability
 - Space-Saving 100-Pin TQFP Package
 - Thermally-Enhanced PowerPAD™ Package for Better Heat Dissipation
 - Glueless Interface to TVP9000/9001 Video Processor Back-End Devices

APPLICATIONS

- LCD TV/Monitors/Projectors
- DLP TV/Projectors
- PDP TV/Monitors
- LCOS TV/Monitors
- PCTV Set-Top Boxes
- Digital Image Processing
- Video Capture/Video Editing
- Scan Rate/Image Resolution Converters
- Video Conferencing
- Video/Graphics Digitizing Equipment



Please be aware that an important notice concerning availability, standard warranty, and use in critical applications of Texas Instruments semiconductor products and disclaimers thereto appears at the end of this data sheet.

PowerPAD is a trademark of Texas Instruments.
All other trademarks are the property of their respective owners.

DESCRIPTION

TVP7002 is a complete solution for digitizing video and graphic signals in RGB or YPbPr color spaces. The device supports pixel rates up to 165 MHz. Therefore, it can be used for PC graphics digitizing up to the VESA standard of UXGA (1600 × 1200) resolution at 60-Hz screen refresh rate, and in video environments for the digitizing of digital TV formats, including HDTV up to 1080p.

The TVP7002 is powered from 3.3-V and 1.9-V supply and integrates a triple high-performance analog-to-digital (A/D) converter with clamping functions and variable gain, independently programmable for each channel. The clamp timing window is provided by an external pulse or can be generated internally. The TVP7002 includes analog slicing circuitry on the SOG inputs to support sync-on-luminance or sync-on-green extraction. In addition, TVP7002 can extract discrete HSYNC and VSYNC from composite sync using a sync slicer.

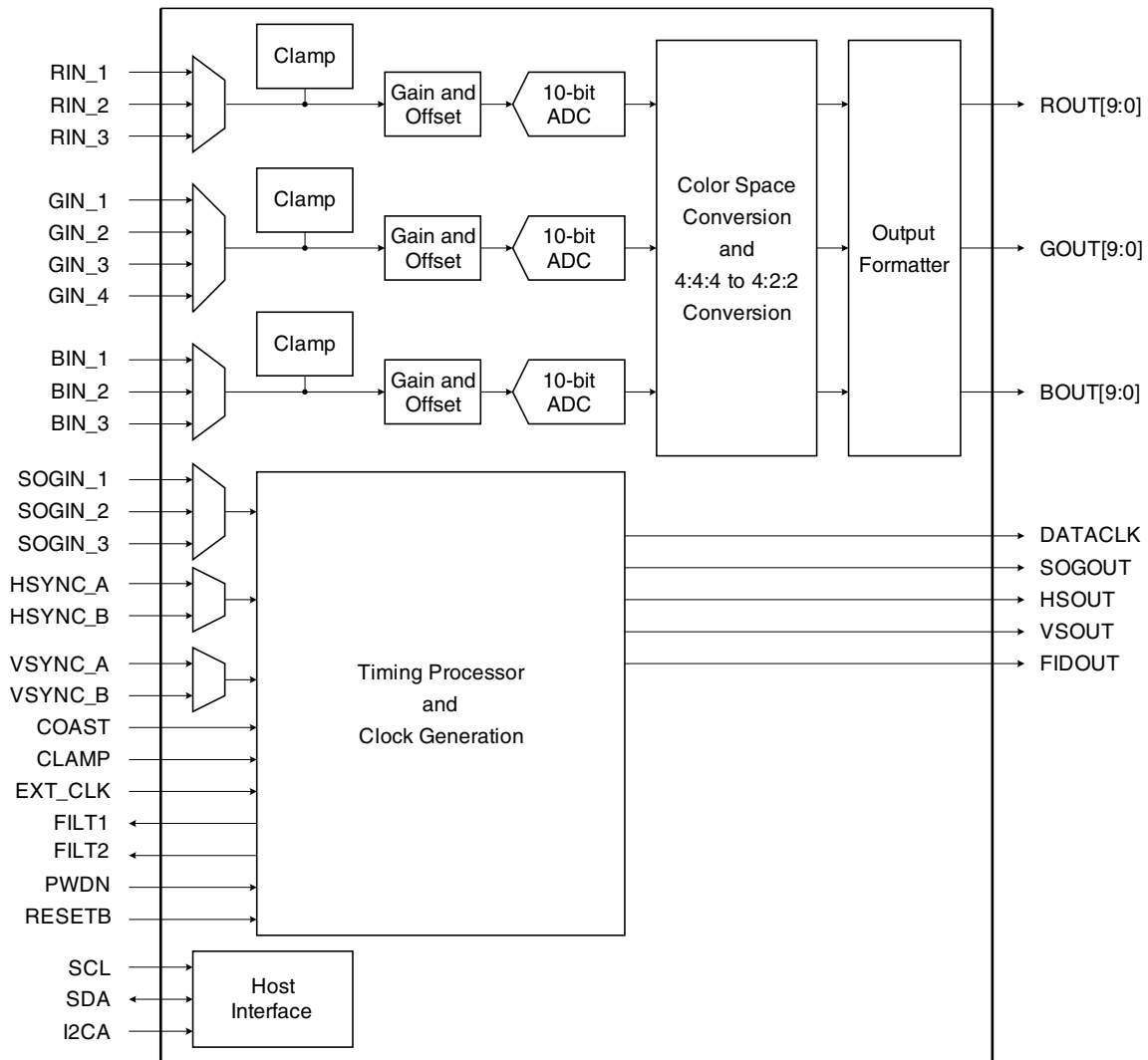
TVP7002 also contains a complete horizontal PLL block to generate a pixel clock from the HSYNC input. Pixel clock output frequencies range from 12 MHz to 165 MHz.

All programming of the part is done via an industry-standard I²C interface, which supports both reading and writing of register settings. The TVP7002 is available in a space-saving 100-pin TQFP PowerPAD package.

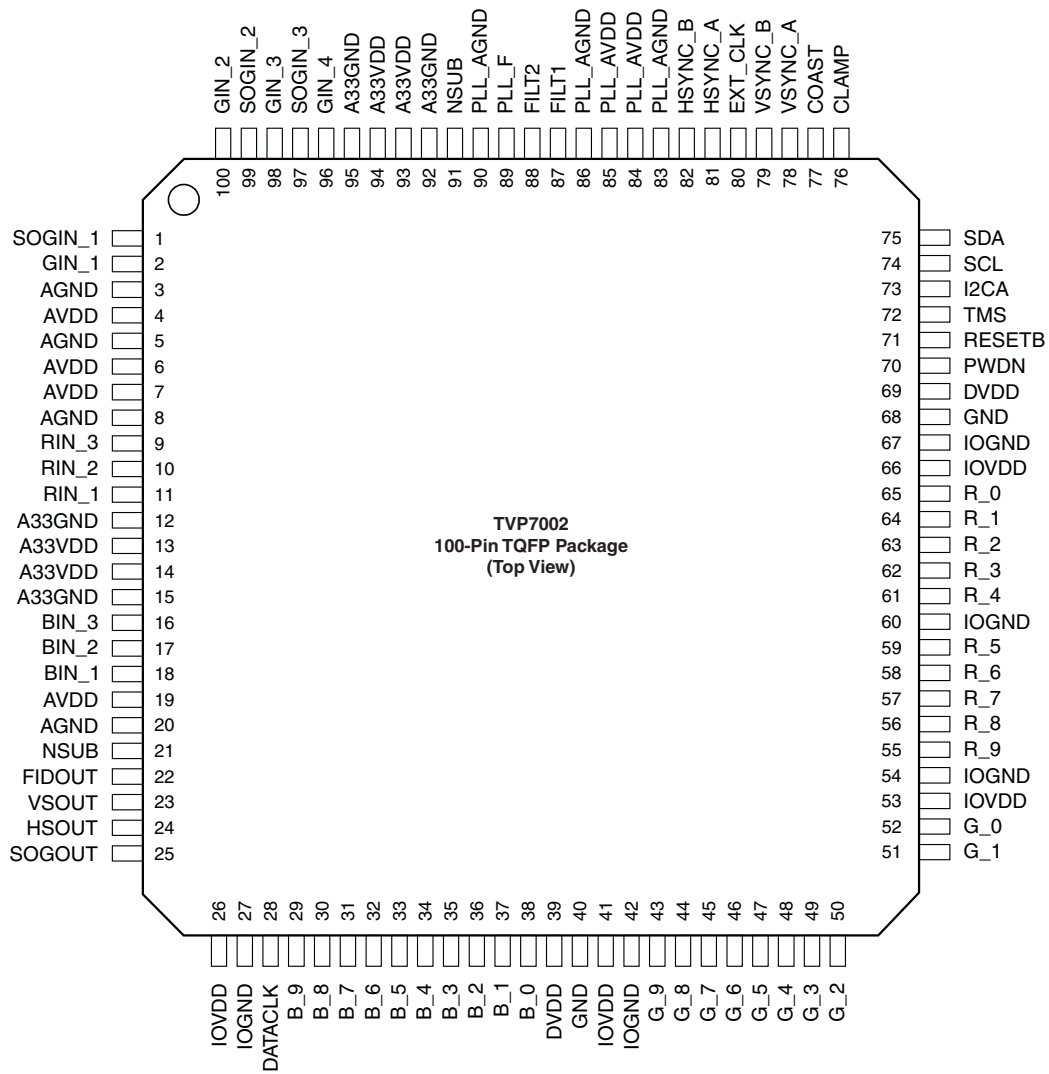
ORDERING INFORMATION

T _A	PACKAGED DEVICES	PACKAGE OPTION
	100-PIN PLASTIC FLATPACK PowerPAD™	
0°C to 70°C	TVP7002PZP	Tray
	TVP7002PZPR	Reel

FUNCTIONAL BLOCK DIAGRAM



TERMINAL ASSIGNMENTS



TERMINAL FUNCTIONS

TERMINAL		I/O	DESCRIPTION
NAME	NO.		
ANALOG VIDEO			
RIN_1	11	I	Analog video input for R/Pr 1
RIN_2	10	I	Analog video input for R/Pr 2
RIN_3	9	I	Analog video input for R/Pr 3
GIN_1	2	I	Analog video input for G/Y 1
GIN_2	100	I	Analog video input for G/Y 2
GIN_3	98	I	Analog video input for G/Y 3
GIN_4	96	I	Analog video input for G/Y 4
BIN_1	18	I	Analog video input for B/Pb 1
BIN_2	17	I	Analog video input for B/Pb 2
BIN_3	16	I	Analog video input for B/Pb 3
The inputs must be AC coupled. The recommended coupling capacitor is 0.1 μ F. Unused analog inputs should be connected to ground using a 10-nF capacitor.			
CLOCK SIGNALS			
DATACLK	28	O	Data clock output
EXT_CLK	80	I	External clock input. May be used as a timing reference for the mode detection block instead of the internal clock reference. May also be used as the ADC sample clock instead of the H-PLL generated clock.
DIGITAL VIDEO			
ROUT[9:0]	55–59, 61–65	O	Digital video output of R/Cr, ROUT[9] is the most-significant bit (MSB).
GOUT[9:0]	43–52	O	Digital video output of G/Y, GOUT[9] is the MSB.
BOUT[9:0]	29–38	O	Digital video output of B/Cb, BOUT[9] is the MSB.
For 4:2:2 mode, multiplexed CbCr data is output on BOUT[9:0]. Unused outputs can be left unconnected.			
MISCELLANEOUS SIGNALS			
PWDN	70	I	Power down input 0 = Normal mode 1 = Power down
RESETB	71	I	Reset input, active low. Outputs are placed in a high-impedance mode during reset (see Table 8).
TMS	72	I	Test mode select input, active high. Used to enable scan test mode. For normal operation, connect to ground.
FILT1	87	O	External filter connection for the horizontal PLL. A 0.1- μ F capacitor in series with a 1.5-k Ω resistor should be connected from this pin to pin 89 (see Figure 4).
FILT2	88	O	External filter connection for the horizontal PLL. A 4.7-nF capacitor should be connected from this pin to pin 89 (see Figure 4).
PLL_F	89	I	Horizontal PLL filter internal supply connection
HOST INTERFACE			
I2CA	73	I	I ² C slave address input. Has internal pulldown resistor (see Table 7). 0 = Slave address = B8h 1 = Slave address = BAh
SCL	74	I	I ² C clock input
SDA	75	I/O	I ² C data bus

TERMINAL FUNCTIONS (continued)

TERMINAL		I/O	DESCRIPTION
NAME	NO.		
POWER SUPPLIES			
NSUB	21, 91	I	Substrate ground. Connect to analog ground.
A33VDD	13, 14, 93, 94	I	Analog power. Connect to 3.3 V.
A33GND	12, 15, 92, 95	I	Analog 3.3-V return. Connect to ground.
AGND	3, 5, 8, 20	I	Analog 1.9-V return. Connect to ground.
AVDD	4, 6, 7, 19	I	Analog power. Connect to 1.9 V.
PLL_AVDD	84, 85	I	PLL analog power. Connect to 1.9 V.
PLL_AGND	83, 86, 90	I	PLL analog power return. Connect to ground.
DGND	40, 68	I	Digital return. Connect to ground.
DVDD	39, 69	I	Digital power. Connect to 1.9 V.
IOGND	27, 42, 54, 60, 67	I	Digital power return. Connect to ground.
IOVDD	26, 41, 53, 66	I	Digital power. Connect to 3.3 V or less for reduced noise.
SYNC SIGNALS			
CLAMP	76	I	External Clamp input. Unused inputs can be connected to ground.
COAST	77	I	External PLL COAST signal input. Unused inputs can be connected to ground.
VSYNC_A	78	I	Vertical sync input A
VSYNC_B	79	I	Vertical sync input B Unused inputs can be connected to ground.
HSYNC_A	81	I	Horizontal sync input A
HSYNC_B	82	I	Horizontal sync input B Unused inputs can be connected to ground.
SOGIN1	1	I	Sync-on-green input 1
SOGIN2	99	I	Sync-on-green input 2
SOGIN3	97	I	Sync-on-green input 3 Unused inputs should be connected to ground using a 1-nF capacitor.
FIDOUT	22	O	Field ID output. Using bits 2 and 3 of register 16h, this pin may also be programmed to be the internal sync processing clock output, coast output, clamp pulse output, or data enable.
VSOUT	23	O	Vertical sync output
HSOUT	24	O	Horizontal sync output
SOGOUT	25	O	Sync-on-green slicer output

ABSOLUTE MAXIMUM RATINGS

over operating free-air temperature range (unless otherwise noted)⁽¹⁾

Supply voltage range	IOVDD to IOGND	–0.5 V to 4.5 V
	DVDD to DGND	–0.5 V to 2.3 V
	PLL_AVDD to PLL_AGND and AVDD to AGND	–0.5 V to 2.3 V
	A33VDD to A33GND	–0.5 V to 4.5 V
Digital input voltage range	V _I to DGND	–0.5 V to 4.5 V
Analog input voltage range	A _I to A33GND	–0.2 V to 2.3 V
Digital output voltage range	V _O to DGND	–0.5 V to 4.5 V
T _A	Operating free-air temperature range	0°C to 70°C
T _{stg}	Storage temperature range	–65°C to 150°C

(1) Stresses beyond those listed under *Absolute Maximum Ratings* may cause permanent damage to the device. These are stress ratings only and functional operation of the device at these or any other conditions beyond those indicated under *Recommended Operating Conditions* is not implied. Exposure to absolute-maximum-rated conditions for extended periods may affect device reliability.

RECOMMENDED OPERATING CONDITIONS

		MIN	NOM	MAX	UNIT
IOVDD	Digital I/O supply voltage	3	3.3	3.6	V
DVDD	Digital supply voltage	1.8	1.9	2	V
PLL_AVDD	Analog supply voltage for horizontal PLL	1.8	1.9	2	V
AVDD	Analog supply voltage	1.8	1.9	2	V
A33VDD	Analog supply voltage	3	3.3	3.6	V
V _{I(P-P)}	Analog input voltage (ac-coupling necessary)	0.5		2	V
V _{IH}	Digital input voltage high	0.7 IOVDD			V
V _{IL}	Digital input voltage low			0.3 IOVDD	V
I _{OH}	High-level output current			2	mA
I _{OL}	Low-level output current			–2	mA
I _{OH_DATACLK}	DATACLK high-level output current			4	mA
I _{OL_DATACLK}	DATACLK low-level output current			–4	mA
	ADC conversion rate	12		162	MHz
T _A	Operating free-air temperature	0		70	°C

ELECTRICAL CHARACTERISTICSIOVDD = 3.3 V, DVDD = 1.9 V, PLL_AVDD = 1.9 V, AVDD = 1.9 V, A33VDD = 3.3 V, T_A = 25°C

PARAMETER		TEST CONDITIONS ⁽¹⁾	TYP ⁽²⁾	TYP ⁽³⁾	UNIT
POWER SUPPLY					
I _{A33VDD}	3.3-V supply current	78.75 MHz, BC = 5	67	67	mA
I _{IOVDD}	3.3-V supply current	78.75 MHz, BC = 5	21	56	mA
I _{AVDD}	1.9-V supply current	78.75 MHz, BC = 5	206	209	mA
I _{PLL_VDD}	1.9-V supply current	78.75 MHz, BC = 5	16	16	mA
I _{DVDD}	1.9-V supply current	78.75 MHz, BC = 5	30	46	mA
P _{TOT}	Total power dissipation, normal mode	78.75 MHz, BC = 5	743	893	mW
I _{A33VDD}	3.3-V supply current	162 MHz, BC = 8	110	110	mA
I _{IOVDD}	3.3-V supply current	162 MHz, BC = 8	35	102	mA
I _{AVDD}	1.9-V supply current	162 MHz, BC = 8	275	279	mA
I _{PLL_VDD}	1.9-V supply current	162 MHz, BC = 8	22	23	mA
I _{DVDD}	1.9-V supply current	162 MHz, BC = 8	56	89	mA
P _{TOT}	Total power dissipation, normal mode	162 MHz, BC = 8	1112	1403	mW
P _{DOWN}	Total power dissipation, power-down mode		15	15	mW

- (1) BC = ADC bias control setting in I²C register, 2Ch.
(2) SMPTE color bar RGB input pattern used.
(3) Worst-case vertical line RGB input pattern used.

ELECTRICAL CHARACTERISTICS

 IOVDD = 3.3 V, DVDD = 1.9 V, PLL_AVDD = 1.9 V, AVDD = 1.9 V, A33VDD = 3.3 V, T_A = 0°C to 70°C (unless otherwise noted)

PARAMETER		TEST CONDITIONS ⁽¹⁾	MIN	TYP	MAX	UNIT
ANALOG INTERFACE						
	Input voltage range	By design	0.5	1	2	V _{pp}
Z _I	Input impedance, analog video inputs	By design		500		kΩ
DIGITAL LOGIC INTERFACE						
C _I	Input capacitance	By design		10		pF
Z _I	Input impedance	By design		500		kΩ
V _{OH}	Output voltage high	I _{OH} = 2 mA	0.8 IOVDD			V
V _{OL}	Output voltage low	I _{OL} = –2 mA		0.2 IOVDD		V
V _{OH_SCLK}	DATACLK output voltage high	I _{OH} = 4 mA	0.8 IOVDD			V
V _{OL_SCLK}	DATACLK output voltage low	I _{OH} = –4 mA		0.2 IOVDD		V
V _{IH}	High-level input voltage	By design	0.7 IOVDD			V
V _{IL}	Low-level input voltage	By design		0.3 IOVDD		V
ADCs						
	ADC full scale input range	Clamp disabled	0.95	1	1.05	V _{pp}
	ADC resolution	10-bit range			10	bits
DNL	DC differential nonlinearity	10 bit, 110 MHz, BC = 5	–1	±0.5	+1	LSB
		8 bit, 162 MHz, BC = 8	–1	±0.5	+1	
INL	DC integral nonlinearity	10 bit, 110 MHz, BC = 5	–4	±1	+4	LSB
		8 bit, 162 MHz, BC = 8	–4	±1	+4	
	Missing code	10 bit, 110 MHz, BC = 5		none		
		8 bit, 162 MHz, BC = 8		none		
SNR	Signal-to-noise ratio	10 MHz, 1 V _{P-P} at 110 MSPS		55		dB
	Analog 3-dB bandwidth	By design	350	500		MHz
HORIZONTAL PLL						
	Clock jitter			500		ps
	Phase adjustment			11.6		degree
	VCO frequency range	By design	12		162	MHz
ANALOG ADC CHANNEL						
	Coarse gain full-scale control range	Gain control value N _G = 15		±6		dB
	Coarse offset full-scale control range	Referred to 10-bit ADC output		±124		counts
	Coarse offset step size	Referred to 10-bit ADC output		4		counts
SYNC PROCESSING						
	Internal clock reference frequency	By design		6.3		MHz

 (1) BC = ADC bias control setting in I²C register, 2Ch.

TIMING REQUIREMENTS

PARAMETER	TEST CONDITIONS ⁽¹⁾	MIN	TYP	MAX	UNIT
CLOCKS, VIDEO DATA, SYNC TIMING					
Duty cycle DATACLK (CLK POL=0)			51		%
Duty cycle DATACLK (CLK POL=1)			44		%
t1 DATACLK rise time	10% to 90%		1		ns
t2 DATACLK fall time	90% to 10%		1		ns
t3 Output delay time		0		2.5	ns

(1) Measured at 162 MHz with 22-Ω series termination resistor and 10-pF load. Specified by characterization only.

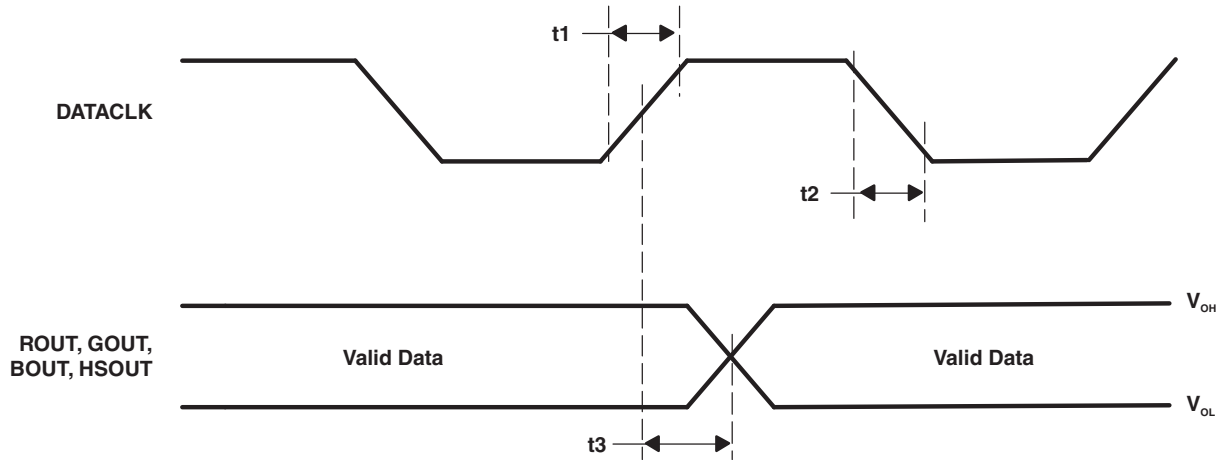


Figure 1. Clock, Video Data, and Sync Timing

TIMING REQUIREMENTS

PARAMETER	TEST CONDITIONS	MIN	TYP	MAX	UNIT	
I²C HOST PORT TIMING						
t1	Bus free time between STOP and START	Specified by design		1.3	μs	
t2	Setup time for a (repeated) START condition	Specified by design		0.6	μs	
t3	Hold time (repeated) START condition	Specified by design		0.6	μs	
t4	Setup time for a STOP condition	Specified by design		0.6	ns	
t5	Data setup time	Specified by design		100	ns	
t6	Data hold time	Specified by design		0	0.9	μs
t7	Rise time SDA and SCL signal	Specified by design		250	ns	
t8	Fall time SDA and SCL signal	Specified by design		250	ns	
C _b	Capacitive load for each bus line	Specified by design		400	pF	
f _{I2C}	I ² C clock frequency	Specified by design		400	kHz	

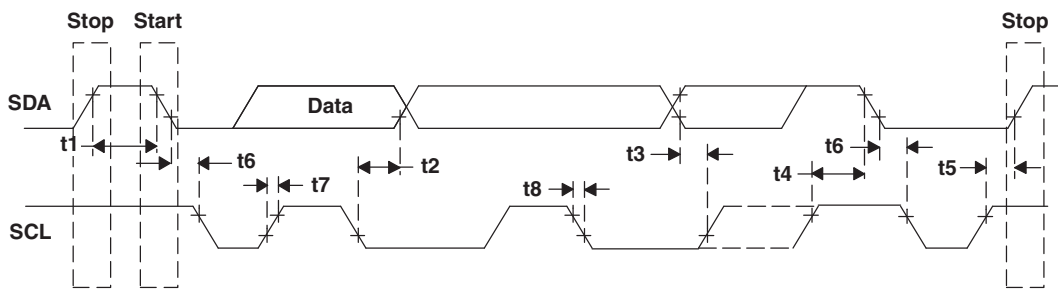


Figure 2. I²C Host Port Timing

FUNCTIONAL DESCRIPTION

Analog Channel

The TVP7002 contains three identical analog channels that are independently programmable. Each channel consists of a clamping circuit, programmable gain control, programmable offset control, and an ADC.

Analog Input Switch Control

TVP7002 has three analog channels that accept up to ten video inputs. The user can configure the internal analog video switches via the I²C interface. The ten analog video inputs can be used for different input configurations, some of which are:

- Up to three SDTV, EDTV, or HDTV component video inputs (limited by number of SOG inputs)
- Up to two 5-wire PC graphics inputs (limited by number of HSYNC and VSYNC inputs)

The input selection is performed by the input select register at I²C subaddress 19h a 1Ah (see Input Mux Select 1 and Input Mux Select 2).

Video Formats Supported

The TVP7002 supports A/D conversion of SDTV (480i, 576i), EDTV (480p, 765p), and HDTV (720p, 1080i, 1080p) YPbPr component video inputs. The TVP7002 also supports A/D conversion and color space conversion of all standard PC graphics formats (RGB) from VGA up to UXGA.

A summary of the analog video standards supported by the TVP7002 module is show in [Table 1](#).

Table 1. Analog Video Standards

VIDEO FORMAT	VIDEO STANDARDS
SDTV (YPbPr Component)	480i, 576i
EDTV (YPbPr Component)	480p, 576p
HDTV (YPbPr Component)	720p, 1080i, 1080p
PC Graphics (RGB Component)	VGA to UXGA
SCART (RGB Component)	576i

Analog Input Clamping

The TVP7002 provides dc restoration for all analog video inputs including the SOG slicer inputs. The dc restoration circuit (a.k.a. clamp circuit) restores the ac-coupled video signal to a fixed dc level. One dc restoration circuit is implemented prior to each of the three ADC, and a fourth one is located prior to the SOG slicer. The dc restoration circuit can be programmed to operate as either a sync-tip clamp (a.k.a. coarse clamp) or a back-porch clamp (a.k.a. fine clamp). The sync-tip clamp always clamps the video sync-tip level near the bottom of the ADC range. The back-porch type clamp supports two clamping levels (bottom-level and mid-level) that are selectable using bits 0, 1, and 2 of register 10h. When using the fine bottom-level clamp, an optional 300-mV common-mode offset may be selected using bit 7 of register 2Ah.

In general, the analog video input being used for horizontal synchronization purposes should always use the sync-tip clamp; all other analog video inputs should use the back-porch clamp. The advantage of the back-porch clamp is that it has negligible video droop or tilt across a video line.

The selection between bottom- and mid-level clamping is performed by I²C subaddress 10h (see *Sync-On-Green Threshold*). The fine clamps must also be enabled via I²C register 2Ah for proper operation. The internal clamping time can be adjusted using the I²C clamp start and width registers at subaddress 05h and 06h, respectively (see *Clamp Start* and *Clamp Width*).

Table 2. Recommended Clamp Setting by Video Mode

Video Mode	SOG Input (Y/G)	Green ADC Ch (Y/G)	Red ADC Ch (Pr/R)	Blue ADC Ch (Pb/B)
YPbPr Component	Coarse	Fine Bottom-Level	Fine Mid-Level	Fine Mid-Level
PC Graphics	Coarse	Fine Bottom-Level	Fine Bottom-Level	Fine Bottom-Level
SCART-RGB	Coarse	Fine Bottom-Level	Fine Bottom-Level	Fine Bottom-Level

A single-pole low-pass filter with three selectable cutoff frequencies (0.5, 1.7, and 4.8 MHz) is implemented in the feedback loop of the sync-tip clamp circuit.

Programmable Gain Control

The TVP7002 provides a 4-bit coarse analog gain control (before A/D conversion) and an 8-bit fine digital gain control (after A/D conversion). The coarse analog gain and the fine digital gain are both independently programmable for each ADC channel.

Coarse Gain Control

The 4-bit coarse analog gain control has a 4:1 linear gain control range defined by the following equation.

$$\text{Coarse Gain} = 0.5 + N_{CG}/10, \text{ where } 0 \leq N_{CG} \leq 15$$

$$0.5 \leq \text{Coarse_Gain} \leq 2.0$$

$$\text{Default: } N_{CG} = 7 \text{ (Coarse_Gain} = 1.2)$$

The 4-bit coarse gain control can scale a signal with a voltage-input compliance of 0.5-V_{pp} to 2-V_{pp} to a full-scale 10-bit A/D output code range. The minimum gain corresponds to a code 0h (2-V_{pp} full-scale input, –6-dB gain) while the maximum gain corresponds to code Fh (0.5-V_{pp} full-scale, +6 dB gain). The 4-bit coarse gain control is independently controllable for each ADC channel (Red Coarse Gain, Green Coarse Gain, and Blue Coarse Gain).

Fine Gain Control

The 8-bit fine digital gain control has a 2:1 linear gain control range defined by the following equation.

$$\text{Fine Gain} = 1.0 + N_{FG}/256 \text{ where } 0 \leq N_{FG} \leq 255$$

$$1.0 \leq \text{Fine Gain} < 2.0$$

$$\text{Default: } N_{FG} = 0 \text{ (Fine Gain} = 1.0)$$

The 8-bit fine gain control is independently controllable for each ADC channel (Red Fine Gain, Green Fine Gain, and Blue Fine Gain). For a normal PC graphics input, the fine gain is used mostly.

Programmable Offset Control

The TVP7002 provides a 6-bit coarse analog offset control (before A/D conversion) and a 10-bit fine digital offset control (after A/D conversion). The coarse analog offset and the fine digital offset are both independently programmable for each ADC channel.

Coarse Offset Control

A 6-bit code sets the coarse offset (Red Coarse Offset, Green Coarse Offset, Blue Coarse Offset) with individual adjustment per channel. The coarse offset ranges from –32 counts to +31 counts. The coarse offset registers apply before the ADC.

Fine Offset Control

A 10-bit fine offset registers (Red Fine Offset, Green Fine Offset, Blue Fine Offset) apply after the ADC. The fine offset ranges from –512 counts to +511 counts.

Automatic Level Control (ALC)

The ALC circuit maintains the level of the signal to be set at a value which is programmed at fine offset I²C register. It consists of pixel averaging filter and feedback loop. This ALC function can be enabled or disabled by the I²C register at subaddress 26h.

The ALC circuit needs a timing pulse generated internally but the user should program the position properly. The ALC pulse must be positioning after the clamp pulse. The position of ALC pulse is controlled by ALC placement I²C register at address 31h. This is available only for internal ALC pulse timing. When using an external clamp pulse, the fine clamp and the ALC both start on the leading edge of the external clamp pulse. Therefore, it is recommended to keep the external clamp pulse as long as possible.

Analog-to-Digital Converters (ADCs)

All ADCs have a resolution of 10 bits and can operate up to 165 MSPS. All A/D channels receive an identical clock from the on-chip phase-locked loop (PLL) at a frequency between 12 MHz and 165 MHz. All ADC reference voltages are generated internally. Also the external sampling clock can be used.

Horizontal PLL

The horizontal PLL generates a high-frequency internal clock used by the ADC sampling and data clocking out to derive the pixel output frequency with programmable phase. The reference signal for this PLL is the horizontal sync signal supplied on the HSYNC input or from extracted horizontal sync of the sync slicer block for embedded sync signals. The horizontal PLL consisted of phase detector, charge pump, loop filter, voltage controlled oscillator (VCO), phase select, feedback divider, and post divider. The horizontal PLL block diagram is shown in [Figure 3](#).

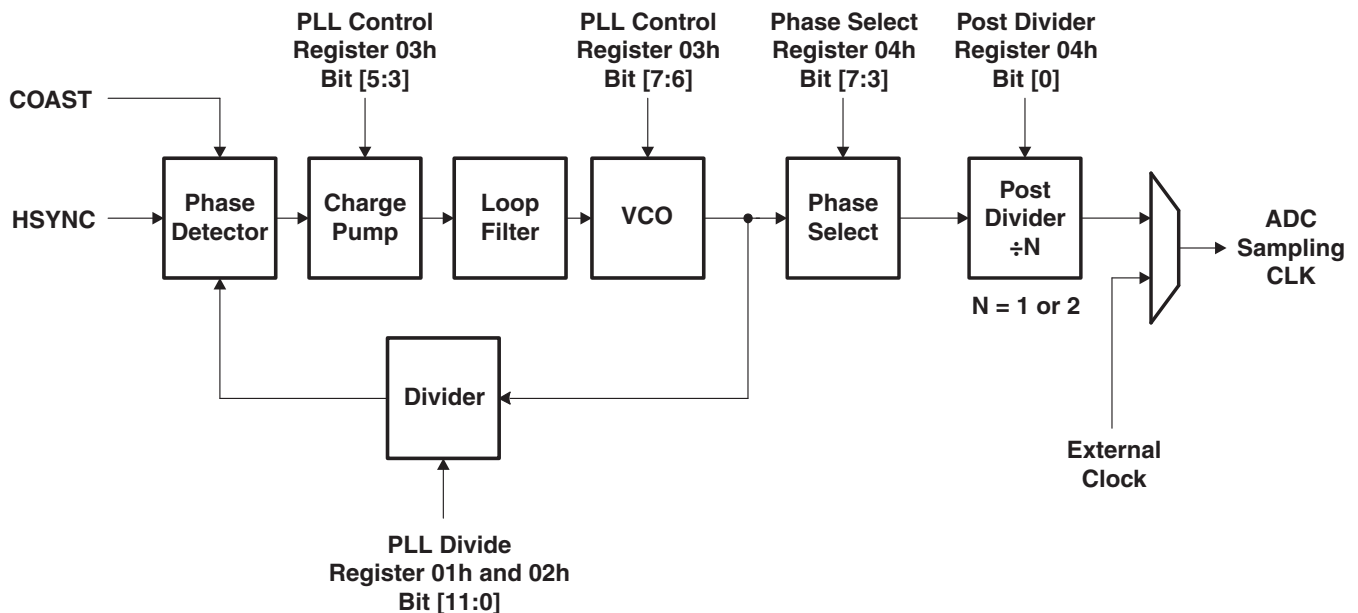


Figure 3. Horizontal PLL Block Diagram

The COAST signal is used to allow the PLL to keep running at the same frequency, in the absence of the incoming HSYNC signal or disordered HSYNC period. This is useful during the vertical sync period, or any other time that the HSYNC is not available.

There are several PLL controls to produce the correct sampling clock. The 12-bit feedback divider register is programmable to select exact multiplication number to generate the pixel clock in the range of 12 MHz to 165 MHz. The 3-bit loop filter current control register is to control the charge pump current that drives the low-pass loop filter. The applicable current values are listed in the [Table 3](#).

The purpose of the 2-bit VCO range control is to improve the noise performance of the TVP7002. The frequency ranges for the VCO are shown in Table 3. The phase of the ADC sample clock generated by the horizontal PLL can be accurately controlled in 32 uniform steps over a single clock period ($360/32 = 11.25$ degrees phase resolution) using the phase select register located at subaddress 04h.

The horizontal PLL characteristics are determined by the loop filter design, the PLL charge pump current, and the VCO range setting. The loop filter design is shown in Figure 4. Supported settings of VCO range and charge pump current for VESA standard display modes are listed in Table 3.

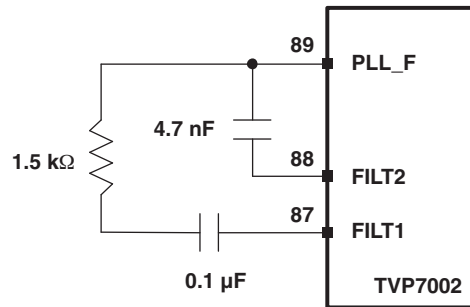


Figure 4. Horizontal PLL Loop Filter

In addition to sourcing the ADC sample clock from the horizontal PLL, an external pixel clock can be used (from pin 80).

Table 3. Recommended VCO Range and Charge Pump Current Settings for Supporting Standard Display Formats

STANDARD	RESOLUTION	FRAME RATE (Hz)	LINE RATE (kHz)	PIXEL RATE (MHz)	PLL DIVIDER TOTAL PIX/LINE	PLLDIV [11:4] REG 01h [7:0]	PLLDIV [3:0] REG 02h [7:4]	REG 03h	OUTPUT DIVIDER REG 04h [0]	VCO RANGE REG 03h [7:6]	CP CURRENT REG 03h [5:3]
VGA	640 × 480	59.94	31.469	25.175	800	32h	00h	20h	0	ULow (00b)	100b
	640 × 480	72.809	37.861	31.5	832	34h	00h	20h	0	ULow (00b)	100b
	640 × 480	75	37.5	31.5	840	34h	80h	20h	0	ULow (00b)	100b
	640 × 480	85.008	43.269	36	832	34h	00h	60h	0	Low (01b)	100b
SVGA	800 × 600	56.25	35.156	36	1024	40h	00h	58h	0	Low (01b)	011b
	800 × 600	60.317	37.879	40	1056	42h	00h	58h	0	Low (01b)	011b
	800 × 600	72.188	48.077	50	1040	41h	00h	58h	0	Low (01b)	011b
	800 × 600	75	46.875	49.5	1056	42h	00h	58h	0	Low (01b)	011b
	800 × 600	85.061	53.674	56.25	1048	41h	80h	58h	0	Low (01b)	011b
XGA	1024 × 768	60.004	48.363	65	1344	54h	00h	58h	0	Low (01b)	011b
	1024 × 768	70.069	56.476	75	1328	53h	00h	A8h	0	Med (10b)	101b
	1024 × 768	75.029	60.023	78.75	1312	52h	00h	A8h	0	Med (10b)	101b
	1024 × 768	84.997	68.677	94.5	1376	56h	00h	A0h	0	Med (10b)	100b
WXGA (I)	1280 × 768	59.995	47.396	68.25	1440	5Ah	00h	50h	0	Low (01b)	010b
	1280 × 768	59.87	47.776	79.5	1664	68h	00h	A0h	0	Med (10b)	100b
	1280 × 768	74.893	60.289	102.25	1696	6Ah	00h	A0h	0	Med (10b)	100b
	1280 × 768	84.837	68.633	117.5	1712	6Bh	00h	A0h	0	Med (10b)	100b
SXGA	1280 × 1024	60.02	63.981	108	1688	69h	80h	A0h	0	Med (10b)	100b
	1280 × 1024	75.025	79.976	135	1688	69h	80h	E8h	0	High (11b)	101b
	1280 × 1024	85.024	91.146	157.5	1728	6Ch	00h	E8h	0	High (11b)	101b
SXGA+	1400 × 1050	59.948	64.744	101	1560	61h	80h	A0h	0	Med (10b)	100b
	1400 × 1050	59.978	65.317	121.75	1864	74h	80h	98h	0	Med (10b)	011b
	1400 × 1050	74.867	82.278	156	1896	76h	80h	E0h	0	High (11b)	100b
WXGA (II)	1440 × 900	59.901	55.469	88.75	1600	64h	00h	A0h	0	Med (10b)	100b
	1440 × 900	59.887	55.935	106.5	1904	77h	00h	98h	0	Med (10b)	011b
	1440 × 900	74.984	70.635	136.75	1936	79h	00h	E0h	0	High (11b)	100b
	1440 × 900	84.842	80.43	157	1952	7Ah	00h	E0h	0	High (11b)	100b
UXGA	1600 × 1200	60	75	162	2160	87h	00h	E0h	0	High (11b)	100b

Table 3. Recommended VCO Range and Charge Pump Current Settings for Supporting Standard Display Formats (continued)

STANDARD	RESOLUTION	FRAME RATE (Hz)	LINE RATE (kHz)	PIXEL RATE (MHz)	PLL DIVIDER TOTAL PIX/LINE	PLLDIV [11:4] REG 01h [7:0]	PLLDIV [3:0] REG 02h [7:4]	REG 03h	OUTPUT DIVIDER REG 04h [0]	VCO RANGE REG 03h [7:6]	CP CURRENT REG 03h [5:3]
Video	720 × 480i	29.97	15.374	13.5	858	35h	A0h	18h	0	ULow (00b)	011b
	720 × 576i	25	15.625	13.5	864	36h	00h	18h	0	ULow (00b)	011b
	720 × 480p	59.94	31.469	27	858	35h	A0h	18h	0	ULow (00b)	011b
	720 × 576p	50	31.25	27	864	36h	00h	18h	0	ULow (00b)	011b
	1280 × 720p	60	45	74.25	1650	67h	20h	A0h	0	Med (10b)	100b
	1280 × 720p	50	37.5	74.25	1980	7Bh	C0h	98h	0	Med (10b)	011b
	1920 × 1080i	60	33.75	74.25	2200	89h	80h	98h	0	Med (10b)	011b
	1920 × 1080i	50	28.125	74.25	2640	A5h	00h	90h	0	Med (10b)	010b
	1920 × 1080p	60	67.5	148.5	2200	89h	80h	E0h	0	High (11b)	100b
1920 × 1080p	50	56.25	148.5	2640	A5h	00h	D8h	0	High (11b)	011b	

RGB-to-YCbCr Color Space Conversion

The TVP7002 supports RGB-to-YCbCr color space conversion (CSC) with I²C programmable coefficients. The TVP7002 should default to the CSC coefficients required for HDTV component video inputs. The TVP7002 supports the ability to bypass the CSC block and defaults to the bypass mode (bit 4 of subaddress 18h).

RGB-to-YCbCr CSC coefficients for HDTV component video (see CEA-770.3-C, ITU-R BT.709) (default coefficients):

	G'	B'	R'
Y	00000016E3	000000024F	00000006CE
Pb	FFFFFFF3AB	0000001000	FFFFFFF5C5
Pr	FFFFFFF178	FFFFFFFE88	0000001000

RGB-to-YCbCr CSC coefficients for SDTV component video (see CEA-770.2-C, ITU-R BT.601) (informative only):

	G'	B'	R'
Y	00000012C9	00000003A6	0000000991
Pb	FFFFFFF566	0000001000	FFFFFFFA9A
Pr	FFFFFFF29A	FFFFFFFD66	0000001000

4:4:4 to 4:2:2 Conversion

For 4:4:4 YPbPr component video inputs, the TVP7002 can downsample the chroma samples (CbCr) from 1x to 0.5x using a 27-tap half-band filter.

NOTE:

- Selection between the 30-bit 4:4:4 output format and the 20-bit 4:2:2 output format is made using bit 1 of register 15h.
- Multiplexed CbCr data is output on BOUT [9:0] in the 20-bit 4:2:2 output format.
- 4:4:4 to 4:2:2 conversion is implemented after RGB to YCbCr color space conversion.

Sync Processing

Horizontal Sync Selection

The TVP7002 provides two HSYNC inputs and three analog SOG inputs for HDTV and PC graphics inputs. The sync input used by the horizontal PLL is automatically selected based on activity detection.

Sync Slicer

TVP7002 includes a circuit that compares the input signal on Green channel to a level 150 mV (typical value) above the clamped level (sync tip). The slicing level is programmable by I²C register subaddress at 10h. The digital output of the composite sync slicer is available on the SOGOUT pin.

Noise Immunity

In general, noise on a slowly varying input signal (i.e., sync falling edge) may cause a voltage comparator to false trigger as the input passes through the linear range of the comparator. To improve the overall performance of the TVP7002 sync slicer in the presence of noise on the SOG input, the voltage comparator includes hysteresis. Maintaining a 50% slice level using the I²C programmable slice level control can further improve the noise immunity of the Sync slicer. The slice level is programmable in 11.2-mV increments over a 350-mV range as follows.

$$\text{slice_level} = (350 \text{ mV}) \times (N_{\text{TH}}/31)$$

where $0 \leq N_{\text{TH}} \leq 31$, default: 11

$$0 \leq \text{slice_level} \leq 350 \text{ mV}$$

Glitch Immunity

During white to black transitions, the input video waveform may undershoot below the sync slicer threshold. To help attenuate the amplitude of such glitches, a single-pole low-pass filter with three selectable cutoff frequencies (2.5, 10, and 33 MHz) is provided at the input of the SOG voltage comparator circuit. This filter is bypassed in the default mode.

NOTE:

Although the low-pass filter may attenuate the amplitude of glitches present on the SOG input, it also makes the sync falling edge less sharp.

Sync Separator

The sync separator automatically extracts VSYNC and HSYNC from the sliced composite sync input supplied at the SOG input. The G or Y input containing the composite sync must be ac coupled to the SOG input pin using a 1-nF capacitor. Support for PC graphics, SDTV, EDTV, and HDTV up to 1080p is provided.

Sync Activity Detection (Informative)

The TVP7002 provides activity detection on the sync inputs (VSYNC, HSYNC) to enable the host processor to determine whether the PC graphics source is configured as a 3-wire, 4-wire, or 5-wire interface as defined here:

- 5 wire (G, B, R, HSYNC, VSYNC)
- 4 wire (G, B, R, CSYNC)
- 3 wire (G, B, R with SOG)

If activity is detected on the VSYNC input, the host processor should assume that the PC graphics input is configured as a standard 5-wire interface. In this case, the HSYNC input of the TVP7002 should be configured as an HSYNC input.

If activity is detected on the HSYNC input but not on the VSYNC input, the host processor should assume that the PC graphics input is configured as a standard 4-wire interface. In this case, the HSYNC input of the TVP7002 should be configured as a CSYNC input. The TVP7002 supports the following two types of CSYNC inputs.

$$\text{CSYNC} = \text{VSYNC XOR HSYNC (default)}$$

$$\text{CSYNC} = \text{VSYNC OR HSYNC}$$

If activity is not detected on either the HSYNC input or the VSYNC input, the host processor should assume that the PC graphics input is configured as a standard 3-wire interface. In this case, the TVP7002 is automatically configured for a SOG input.

VSYNC Input Activity Detect	HSYNC Input Activity Detect	PC Graphics Input Type
1	1	5 wire (default)
1	0	Undefined (assume 5 wire)
0	1	4 wire
0	0	3 wire

The activity detection status for the VSYNC and HSYNC inputs is written to the I²C status register at subaddress 14h.

NOTE:

Pin 13 of a standard 15-pin VGA video connect can be either a horizontal sync (HSYNC) or a composite sync (CSYNC).

NOTE:

For component video inputs, the active HSYNC and VSYNC should always be derived from the selected SOG input. This can most easily be ensured by setting the AHSO, AVSO, AHSS and AVSS bit fields in register 0Eh to logic 1.

NOTE:

For proper operation when separate HSYNC and VSYNC inputs are used, the leading edge of VSYNC must not be precisely aligned with the leading edge of HSYNC. A simple RC delay circuit will provide adequate delay in most applications.

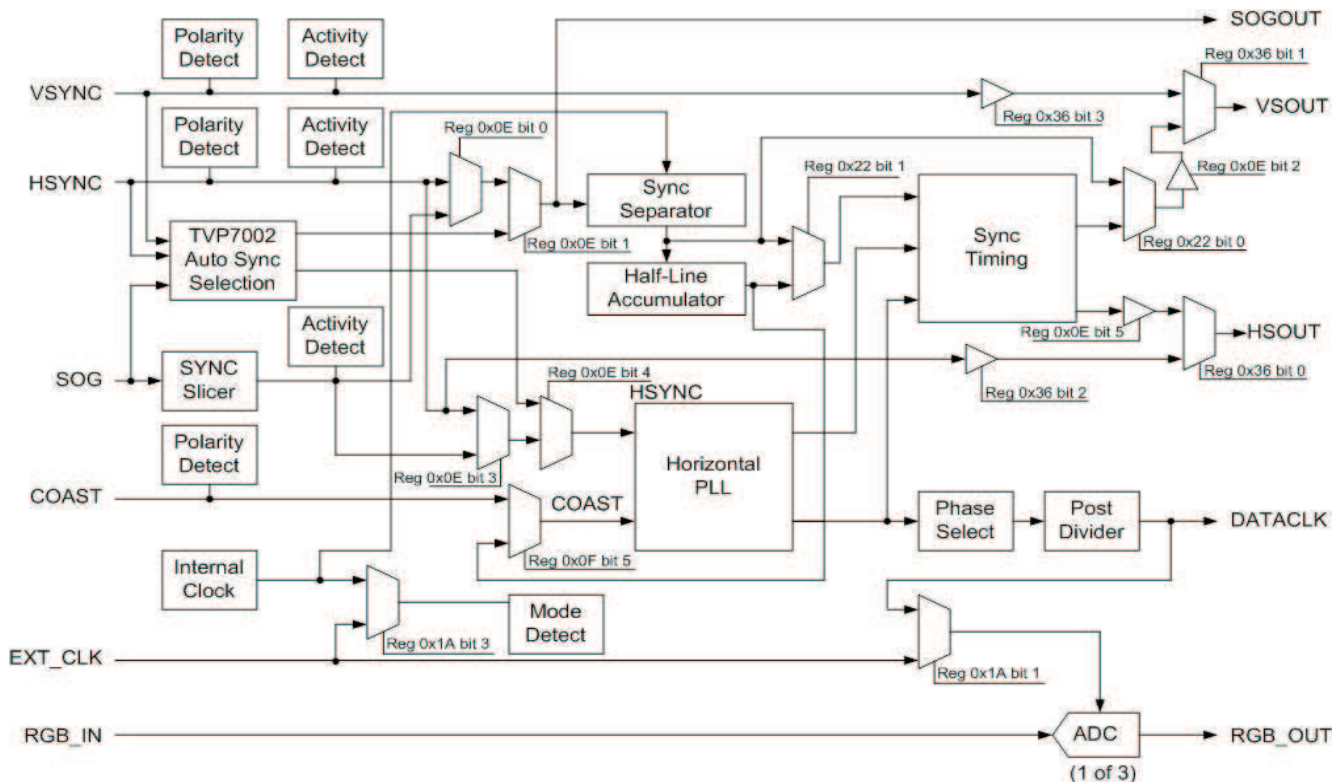


Figure 5. Sync Processing

Output Formatter

The output formatter sets how the data is formatted for output on the TVP7002 output buses. [Table 4](#) shows the available component video output modes.

Table 4. YCbCr Component Video Output Formats⁽¹⁾

TERMINAL NAME	TERMINAL NUMBER	30-BIT 4:2:2 YCbCr	20-BIT 4:2:2 YCbCr
G_9	43	Y9	Y9
G_8	44	Y8	Y8
G_7	45	Y7	Y7
G_6	46	Y6	Y6
G_5	47	Y5	Y5
G_4	48	Y4	Y4
G_3	49	Y3	Y3
G_2	50	Y2	Y2
G_1	51	Y1	Y1
G_0	52	Y0	Y0
B_9	29	Cb9	Cb9, Cr9
B_8	30	Cb8	Cb8, Cr8
B_7	31	Cb7	Cb7, Cr7
B_6	32	Cb6	Cb6, Cr6
B_5	33	Cb5	Cb5, Cr5
B_4	34	Cb4	Cb4, Cr4
B_3	35	Cb3	Cb3, Cr3
B_2	36	Cb2	Cb2, Cr2
B_1	37	Cb1	Cb1, Cr1
B_0	38	Cb0	Cb0, Cr0
R_9	29	Cr9	
R_8	30	Cr8	
R_7	31	Cr7	
R_6	32	Cr6	
R_5	33	Cr5	
R_4	34	Cr4	
R_3	35	Cr3	
R_2	36	Cr2	
R_1	37	Cr1	
R_0	38	Cr0	

(1) 10-bit 4:2:2 YCbCr output format (i.e., ITU-R BT.656) is not supported by the TVP7002.

NOTE:

In the 20-bit 4:2:2 YCbCr output mode, the unused red outputs (Cr[9:0]) are placed in a high-impedance state.

Embedded Syncs

Standard with embedded syncs insert SAV and EAV codes into the data stream on the rising and falling edges of AVID. These codes contain the V and F bits which also define vertical timing. Table 5 gives the format of the SAV and EAV codes.

H equals 1 always indicates EAV. H equals 0 always indicates SAV. The alignment of V and F to the line and field counter varies depending on the standard. The P bits are protection bits:

$$\begin{aligned} P3 &= V \text{ xor } H \\ P2 &= F \text{ xor } H \\ P1 &= F \text{ xor } V \\ P0 &= F \text{ xor } V \text{ xor } H \end{aligned}$$

Table 5. EAV and SAV Sequence

	Y9 (MSB)	Y8	Y7	Y6	Y5	Y4	Y3	Y2	Y1	Y0
Preamble	1	1	1	1	1	1	1	1	1	1
Preamble	0	0	0	0	0	0	0	0	0	0
Preamble	0	0	0	0	0	0	0	0	0	0
Status	1	F	V	H	P3	P2	P1	P0	0	0

The insertion location of the SAV/EAV codes on a video line is programmable using the AVID start/stop pixel values located at subaddresses 40h through 43h.

NOTE:

When enabled (bit 0 of subaddress 15h), embedded syncs are present in both the Y and C outputs.

Output Range Limits

The TVP7002 provides selectable output range limits in I2C subaddress 15h:

- 00 = RGB coding range (Y, Cb, and Cr range from 0 to 1023) (default)
- 01 = Extended coding range (Y, Cb, and Cr range from 4 to 1019)
- 10 = ITU-R BT.601 coding range (Y ranges from 64 to 940, Cb and Cr range from 64 to 960)
- 11 = Reserved

NOTE:

RGB coding range not allowed with embedded syncs.

Power Management

The TVP7002 supports both automatic and manual power-down modes. The automatic power-down mode can be selected by setting bit 2 of subaddress 0Fh to logic 0.

In the automatic power-down mode, the TVP7002 powers down the ADCs, the ADC reference, and horizontal PLL when activity is not detected on both the selected HSYNC input and the selected SOG input (VSYNC is no longer used). The TVP7002 restores power whenever activity is detected on either the selected HSYNC input or the selected SOG input.

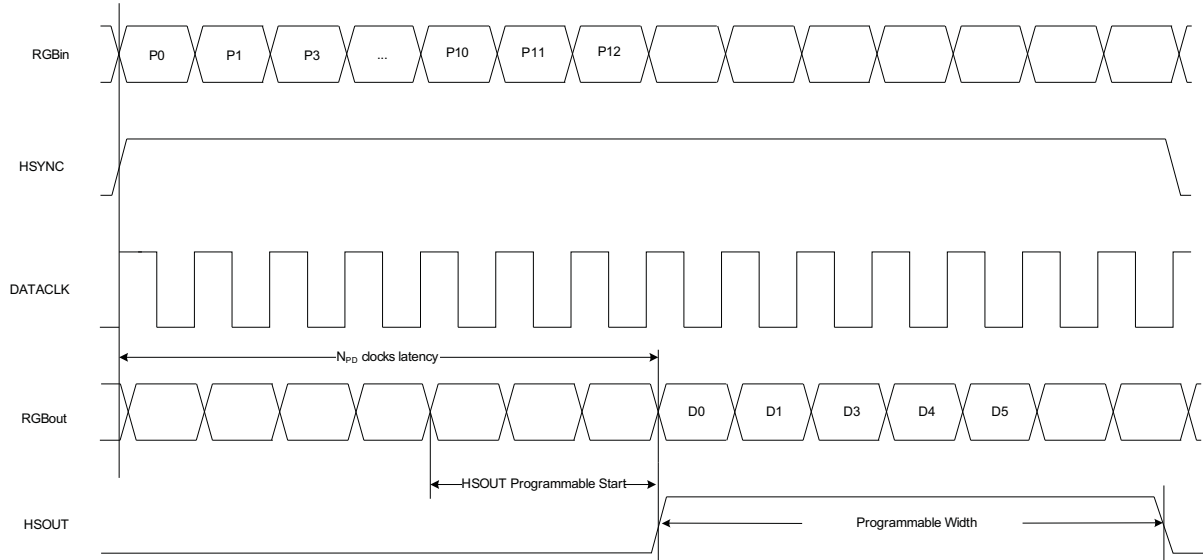
The TVP7002 can also be placed in power down mode via the active high PWDN input (pin 70). When the PWDN input is driven high, the TVP7002 powers down everything including the I²C interface and the digital outputs are not placed in a high-impedance mode.

The TVP7002 can also be placed in a power down mode using bit 1 of register 0Fh.

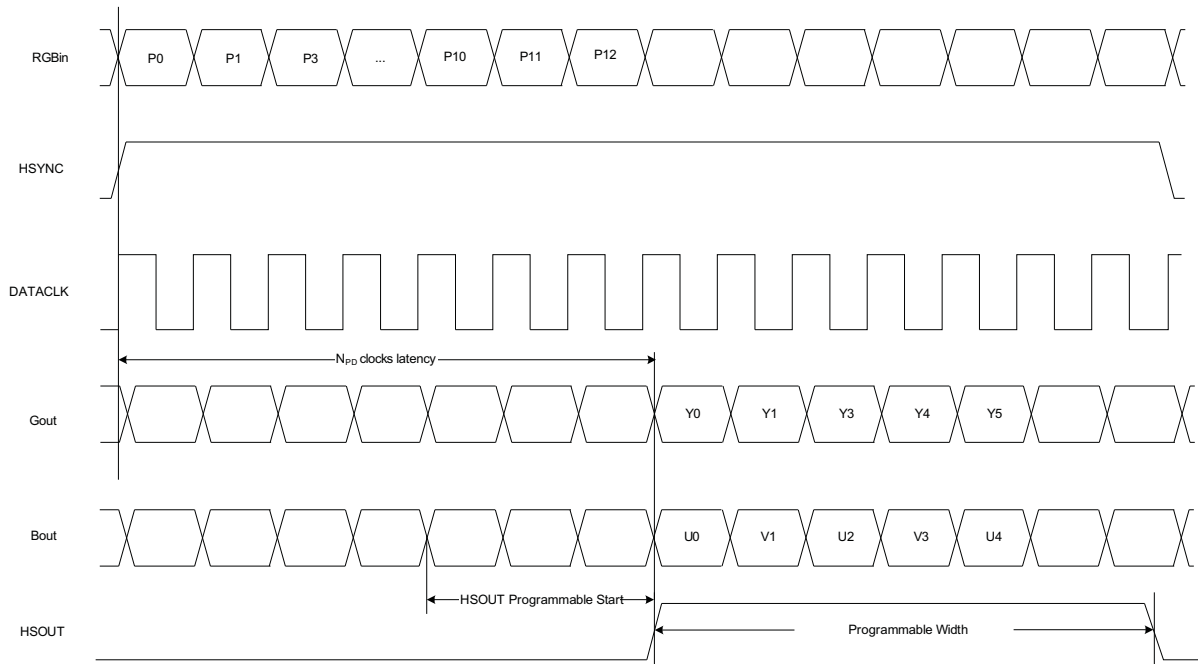
Individual blocks of the TVP7002 can be independently powered down using register 2Bh.

Timing

The TVP7002 supports RGB/YCbCr 4:4:4 and YCbCr 4:2:2 modes. Output timing is shown in Figure 6. All timing diagrams are shown for operation with internal PLL clock at phase 0 and HSOUT Output Start = 0. For the 4:2:2 mode, CbCr data output is on the BOUT[9:0] output port.



4:4:4 RGB/YCbCr Output Timing. $N_{pd} = 18$ clock cycles. HSOUT start is programmable in register 21h.



4:2:2 YCbCr Output Timing. $N_{pd} = 39$ clock cycles. HSOUT start is programmable in register 21h.

Figure 6. Output Timing Diagram

I²C Host Interface

Communication with the TVP7002 device is via an I²C host interface. The I²C standard consists of two signals, serial input/output data (SDA) line and input clock line (SCL), which carry information between the devices connected to the bus. A third signal (I2CA) is used for slave address selection. Although an I²C system can be multi-mastered, the TVP7002 can function as a slave device only.

Since SDA and SCL are kept open-drain at logic high output level or when the bus is not driven, the user should connect SDA and SCL to a positive supply voltage via a pullup resistor on the board. SDA is implemented bidirectional. The slave addresses select, terminal 73 (I2CA), enables the use of two TVP7002 devices tied to the same I²C bus, as it controls the least-significant bit of the I²C device address

Table 6. I²C Host Interface Terminal Description

SIGNAL	TYPE	DESCRIPTION
I2CA	I	Slave address selection
SCL	I	Input clock line
SDA	I/O	Input/output data line

Reset and I²C Bus Address Selection

TVP7002 can respond to two possible chip addresses. The address selection is made at reset by an externally supplied level on the I2CA pin. The TVP7002 device samples the level of terminal 73 at power up or at the trailing edge of RESETB and configures the I²C bus address bit A0. The I2CA terminal has an internal pulldown resistor to pull the terminal low to set a zero.

Table 7. I²C Host Interface Device Addresses

A6	A5	A4	A3	A2	A1	A0 (I ² C A)	R/W	HEX
1	0	1	1	1	0	0 (default)	1/0	B9h/B8h
1	0	1	1	1	0	1 ⁽¹⁾	1/0	BBh/BAh

(1) If terminal 73 is strapped to DVDD via a 2.2-k Ω resistor, I²C device address A0 is set to 1.

I²C Operation

Data transfers occur utilizing the following illustrated formats.

S	10111000	ACK	Subaddress	ACK	Send data	ACK	P
---	----------	-----	------------	-----	-----------	-----	---

Read from I²C control registers

S	10111000	ACK	Subaddress	ACK	S	10111001	ACK	Receive data	NAK	P
---	----------	-----	------------	-----	---	----------	-----	--------------	-----	---

S = I²C bus Start condition

P = I²C bus Stop condition

ACK = Acknowledge generated by the slave

NAK = Acknowledge generated by the master, for multiple byte read master with ACK each byte except last byte

Subaddress = Subaddress byte

Data = Data byte, if more than one byte of DATA is transmitted (read and write), the subaddress pointer is automatically incremented

I²C bus address = Example shown that I2CA is in default mode; write (B8h), read (B9h).

Power Up, Reset, and Initialization

No specific power-up sequence is required, but all power supplies should be active and stable within 500 ms of each other. Reset may be low during power up, but must remain low for at least 1 μ s after the power supplies become stable. Alternatively, reset may be asserted any time with minimum 5-ms delay after power-up and must remain asserted for at least 1 μ s. Reset timing is shown in Figure 7. It is also recommended that any I²C operation starts 1 μ s after reset ended. Table 8 describes the status of the TVP7002 terminals during and immediately after reset.

Table 8. Output Mode Per Reset Sequence State

SIGNAL NAME	OUTPUT MODE	
	DURING RESET	RESET COMPLETED
ROUT[9:0], BOUT[9:0], GOUT[9:0]	High impedance	Default Condition (see bit 0 of subaddress 17h)
HSOUT, VSOUT, FIDOUT, DATACLK	High impedance	Default Condition (see bit 0 of subaddress 17h)
SOGOUT	High impedance	Default Condition (see bit 1 of subaddress 17h)

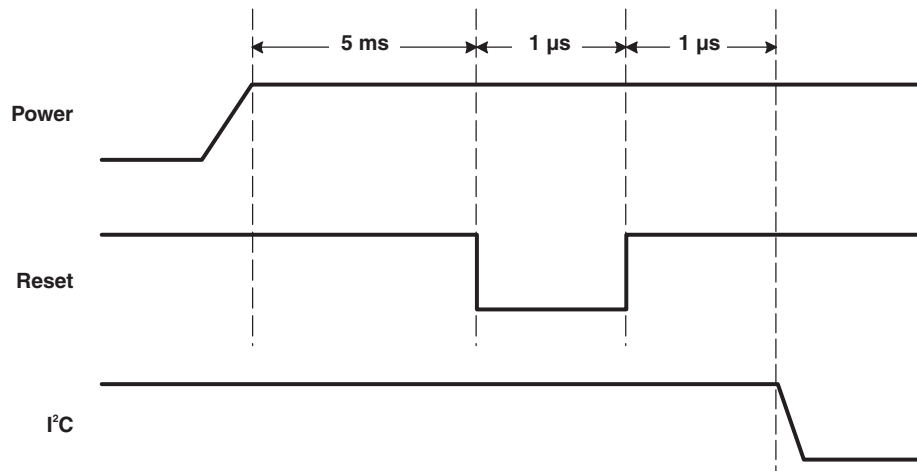


Figure 7. Reset Timing

CONTROL REGISTERS

The TVP7002 is initialized and controlled by a set of internal registers that define the operating parameters of the entire device. Communication between the external controller and the TVP7002 is through a standard I²C host port interface, as previously described.

Table 9 shows the summary of these registers. Detailed programming information for each register is described in the following sections.

Table 9. Control Registers Summary⁽¹⁾⁽²⁾

REGISTER NAME	I ² C SUBADDRESS	DEFAULT	R/W ⁽³⁾
Chip Revision	00h	02h	R
H-PLL Feedback Divider MSBs	01h	67h	R/W
H-PLL Feedback Divider LSBs	02h	20h	R/W
H-PLL Control	03h	A8h	R/W
H-PLL Phase Select	04h	80h	R/W
Clamp Start	05h	32h	R/W
Clamp Width	06h	20h	R/W
HSYNC Output Width	07h	20h	R/W
Blue Fine Gain	08h	00h	R/W
Green Fine Gain	09h	00h	R/W
Red Fine Gain	0Ah	00h	R/W
Blue Fine Offset MSBs	0Bh	80h	R/W
Green Fine Offset MSBs	0Ch	80h	R/W
Red Fine Offset MSBs	0Dh	80h	R/W
Sync Control 1	0Eh	5Bh	R/W
H-PLL and Clamp Control	0Fh	2Eh	R/W
Sync On Green Threshold	10h	5Dh	R/W
Sync Separator Threshold	11h	20h	R/W
H-PLL Pre-Coast	12h	00h	R/W
H-PLL Post-Coast	13h	00h	R/W
Sync Detect Status	14h		R
Output Formatter	15h	04h	R/W
MISC Control 1	16h	11h	R/W
MISC Control 2	17h	03h	R/W
MISC Control 3	18h	00h	R/W
Input Mux Select 1	19h	00h	R/W
Input Mux Select 2	1Ah	C2h	R/W
Blue and Green Coarse Gain	1Bh	77h	R/W
Red Coarse Gain	1Ch	07h	R/W
Fine Offset LSBs	1Dh	00h	R/W
Blue Coarse Offset	1Eh	10h	R/W
Green Coarse Offset	1Fh	10h	R/W
Red Coarse Offset	20h	10h	R/W
HSOUT Output Start	21h	0Dh	R/W
MISC Control 4	22h	08h	R/W
Blue Digital ALC Output LSBs	23h		R
Green Digital ALC Output LSBs	24h		R

(1) For proper operation of the TVP7002 device, the default settings for all register locations designated as "Reserved" in the register map summary should never be changed from the values provided.

(2) For registers with reserved bits, a 0b must be written to reserved bit locations, unless otherwise stated.

(3) R = Read only, W = Write only, R/W = Read Write

CONTROL REGISTERS (continued)
Table 9. Control Registers Summary (continued)

REGISTER NAME	I ² C SUBADDRESS	DEFAULT	R/W ⁽³⁾
Red Digital ALC Output LSBs	25h		R
Automatic Level Control Enable	26h	80h	R/W
Digital ALC Output MSBs	27h		R
Automatic Level Control Filter	28h	53h	R/W
Reserved	29h	08h	R/W
Fine Clamp Control	2Ah	07h	R/W
Power Control	2Bh	00h	R/W
ADC Setup	2Ch	50h	R/W
Coarse Clamp Control	2Dh	00h	R/W
SOG Clamp	2Eh	80h	R/W
RGB Coarse Clamp Control	2Fh	8Ch	R/W
SOG Coarse Clamp Control	30h	04h	R/W
ALC Placement	31h	5Ah	R/W
Reserved	32h	18h	R/W
Reserved	33h	60h	R/W
Reserved	34h	03h	R/W
VSYNC Alignment	35h	10h	R/W
Sync Bypass	36h	00h	R/W
Lines Per Frame Status	37h–38h		R
Clocks Per Line Status	39h–3Ah		R
HSYNC Width	3Bh		R
VSYNC Width	3Ch		R
Line Length Tolerance	3Dh	03h	R/W
Reserved	3Eh	04h	R/W
Video Bandwidth Control	3Fh	00h	R/W
AVID Start Pixel	40h–41h	012Ch	R/W
AVID Stop Pixel	42h–43h	062Ch	R/W
VBLK Field 0 Start Line Offset	44h	05h	R/W
VBLK Field 1 Start Line Offset	45h	05h	R/W
VBLK Field 0 Duration	46h	1Eh	R/W
VBLK Field 1 Duration	47h	1Eh	R/W
F-bit Field 0 Start Line Offset	48h	00h	R/W
F-bit Field 1 Start Line Offset	49h	00h	R/W
1st CSC Coefficient	4Ah–4Bh	16E3h	R/W
2nd CSC Coefficient	4Ch–4Dh	024Fh	R/W
3rd CSC Coefficient	4Eh–4Fh	06CEh	R/W
4th CSC Coefficient	50h–51h	F3ABh	R/W
5th CSC Coefficient	52h–53h	1000h	R/W
6th CSC Coefficient	54h–55h	FC55h	R/W
7th CSC Coefficient	56h–57h	F178h	R/W
8th CSC Coefficient	58h–59h	FE88h	R/W
9th CSC Coefficient	5Ah–5Bh	1000h	R/W
Reserved	5Ch–5Dh	0000h	R/W
Reserved	5Eh–FFh	0000h	R/W

Register Definitions

Chip Revision

Subaddress 00h Read Only

7	6	5	4	3	2	1	0
Chip revision [7:0]							

Chip revision [7:0]: Chip revision number

H-PLL Feedback Divider MSBs

Subaddress 01h Default (67h)

7	6	5	4	3	2	1	0
PLL divide [11:4]							

PLL divide [11:0]: Controls the 12-bit horizontal PLL feedback divider value which determines the number of pixels per line. PLL divide [11:4] bits should be loaded first whenever a change is required.

H-PLL Feedback Divider LSBs

Subaddress 02h Default (20h)

7	6	5	4	3	2	1	0
PLL divide [3:0]				Reserved			

PLL divide [11:0]: Controls the 12-bit horizontal PLL feedback divider value which determines the number of pixels per line. PLL divide [11:4] bits should be loaded first whenever a change is required.

H-PLL Control

Subaddress 03h Default (A8h)

7	6	5	4	3	2	1	0
VCO[1:0]		Charge Pump Current [2:0]			Reserved		

VCO [1:0]: Selects VCO frequency range

VCO Gain (K_{VCO})	VCO Range	Pixel Clock Frequency (PCLK)
00 = 75	Ultra low	PCLK < 36 MHz
01 = 85	Low	36 MHz ≤ PCLK < 70 MHz
10 = 150	Medium (default)	70 MHz ≤ PCLK < 135 MHz
11 = 200	High	135 MHz ≤ PCLK ≤ 165 MHz

Charge Pump Current [2:0]: Selects PLL charge pump current setting. The recommended charge pump current setting (ICP) can be determined using the following equation.

$$I_{CP} = 40 \times K_{VCO} / (\text{pixels per line})$$

- 000 = 0: Small
- 101 = 5 (default)
- 111 = 7: Large

Note: Also see the "PLL and CLAMP Control" register at subaddress 0Fh.

H-PLL Phase Select

Subaddress 04h Default (80h)

7	6	5	4	3	2	1	0
Phase Select [4:0]					Reserved		DIV2

Phase Select [4:0]: ADC sampling clock phase select. (1 LSB = 360/32 = 11.25°). A host-based automatic phase control algorithm can be used to control this setting to optimize graphics sampling phase.

- 00h = 0 degrees
- 10h = 180 degrees (default)
- 1Fh = 348.75 degrees

DIV2: DATACLK Divide-by-2. H-PLL post divider (internal use only)

- 0 = DATACLK/1 (default)
- 1 = DATACLK/2

Note: Phase wrap-around and phase instability can occur with phase settings of 00h or 01h. These settings are therefore not recommended for use. Not all 32 phase settings are available when using the DATACLK/2 setting. This setting is therefore not recommended for PC graphics inputs.

Clamp Start

Subaddress 05h Default (32h)

7	6	5	4	3	2	1	0
Clamp Start [7:0]							

Clamp Start [7:0]: Positions the clamp signal an integer number of clock periods after the HSYNC signal. If external clamping is selected this value has no meaning. Clamp Start must be correctly positioned for proper operation. See [Table 10](#) for the recommended settings.

Clamp Width

Subaddress 06h Default (20h)

7	6	5	4	3	2	1	0
Clamp Width [7:0]							

Clamp Width [7:0]: Sets the width in pixels for the fine clamp. See also register Clamp Start (subaddress 05h).

Table 10. Recommended Fine Clamp Settings

VIDEO STANDARD	CLAMP START	CLAMP WIDTH
HDTV (tri-level)	50 (32h)	32 (20h)
SDTV (bi-level)	6 (06h)	16 (10h)
PC Graphics	6 (06h)	16 (10h)

HSYNC Output Width

Subaddress 07h Default (20h)

7	6	5	4	3	2	1	0
HSOUT Width [7:0]							

HSOUT Width [7:0]: Sets the width in pixels for HSYNC output.

Blue Fine Gain

Subaddress 08h Default (00h)

7	6	5	4	3	2	1	0
Blue Fine Gain [7:0]							

Blue Fine Gain [7:0]: 8-bit fine digital gain (contrast) for Blue channel (applied after the ADC). Offset binary value.

Blue Fine Gain = 1 + Blue Fine Gain [7:0]/256

Blue Fine Gain [7:0]	Blue Fine Gain
00h	1.0 (default)
80h	1.5
FFh	2.0

Green Fine Gain**Subaddress** 09h

Default (00h)

7	6	5	4	3	2	1	0
Green Fine Gain [7:0]							

Green Fine Gain [7:0]: 8-bit fine digital gain (contrast) for Green channel (applied after the ADC). Offset binary value.

Green Fine Gain = 1 + Green Fine Gain [7:0]/256

Green Fine Gain [7:0]	Green Fine Gain
00h	1.0 (default)
80h	1.5
FFh	2.0

Red Fine Gain**Subaddress** 0Ah

Default (00h)

7	6	5	4	3	2	1	0
Red Fine Gain [7:0]							

Red Fine Gain [7:0]: 8-bit fine digital gain (contrast) for Red channel (applied after the ADC). Offset binary value.

Red Fine Gain = 1 + Red Fine Gain [7:0]/256

Red Fine Gain [7:0]	Red Fine Gain
00h	1.0 (default)
80h	1.5
FFh	2.0

Blue Fine Offset MSBs**Subaddress** 0Bh

Default (80h)

7	6	5	4	3	2	1	0
Blue Fine Offset [9:2]							

Blue Fine Offset [9:2]: Eight MSBs of 10-bit fine digital offset (brightness) for Blue channel (applied after ADC). Corresponding two LSBs located at register 1Dh. Offset binary value.

The default setting of 80h places the bottom-level (RGB) clamped output blank levels at 0 and mid-level clamped (PbPr) output blank levels at 512.

FFh = Maximum fine offset
 81h = 1 LSB
 80h = 0 (default)
 7Fh = -1 LSB
 00h = Minimum fine offset

Green Fine Offset MSBs**Subaddress** 0Ch

Default (80h)

7	6	5	4	3	2	1	0
Green Fine Offset [9:2]							

Green Fine Offset [9:2]: Eight MSBs of 10-bit fine digital offset (brightness) for Green channel (applied after ADC). Corresponding two LSBs located at register 1Dh. Offset binary value.

The default setting of 80h places the bottom-level (RGB) clamped output blank levels at 0 and mid-level clamped (PbPr) output blank levels at 512.

FFh = Maximum fine offset
 81h = 1 LSB
 80h = 0 (default)
 7Fh = -1 LSB
 00h = Minimum fine offset

Red Fine Offset MSBs

Subaddress	0Dh							Default (80h)
7	6	5	4	3	2	1	0	
Red Fine Offset [9:2]								

Red Fine Offset [9:2]: 8 MSBs of 10-bit fine digital offset (brightness) for Red channel (applied after ADC). Corresponding two LSBs located at register 1Dh. Offset binary value.

The default setting of 80h places the bottom-level (RGB) clamped output blank levels at 0 and mid-level clamped (PbPr) output blank levels at 512.

- FFh = Maximum fine offset
- 81h = 1 LSB
- 80h = 0 (default)
- 7Fh = -1 LSB
- 00h = Minimum fine offset

Sync Control 1

Subaddress	0Eh							Default (5Bh)
7	6	5	4	3	2	1	0	
HSPO	HSIP	HSOP	AHSO	AHSS	VSOP	AVSO	AVSS	

HSPO: HSYNC polarity override

- 0 = Polarity determined by chip (default)
- 1 = Polarity set by bit 6 in register 0Eh (not recommended)

HSIP: HSYNC input polarity

- 0 = Indicates input HSYNC polarity active low
- 1 = Indicates input HSYNC polarity active high (default)

HSOP: HSYNC output polarity

- 0 = Active low HSYNC output (default)
- 1 = Active high HSYNC output

Note: HSOP has no effect in raw sync bypass mode. See register 36h.

AHSO: Active HSYNC override

- 0 = Active HSYNC is automatically selected by TVP7002. If selected SOG and HSYNC inputs both have active inputs, HSYNC is selected as the active sync source. The selected active HSYNC is provided via the AHS status bit (bit 6 of register 14h).
- 1 = Active HSYNC is manually selected via the AHSS control bit (bit 3 of register 0Eh). (default)

Note: Automatic sync selection should be enabled only for 5-wire PC graphics inputs.

AHSS: Active HSYNC select. The indicated HSYNC is used only if the AHSO control bit (bit 4) is set to 1 or if activity is detected on both the selected HSYNC input and the selected SOG input (bits 1, 7 = 1 in register 14h).

- 0 = Active HSYNC is derived from the selected HSYNC input
- 1 = Active HSYNC is derived from the selected SOG input (default)

VSOP: VSYNC output polarity

- 0 = Active low VSYNC output (default)
- 1 = Active high VSYNC output

AVSO: Active VSYNC override

- 0 = Active VSYNC is automatically selected by TVP7002. If selected SOG and VSYNC inputs both have active inputs, VSYNC is selected as the active sync source. The selected active VSYNC is provided via the AVS status bit (bit 3 of register 14h).
- 1 = Active VSYNC is manually selected via the AVSS control bit (bit 0 of register 0Eh). (default)

Note: Automatic sync selection should be enabled only for 5-wire PC graphics inputs.

AVSS: Active VSYNC select. This bit is effective when the AVSO control bit (bit 1) is set to 1.

- 0 = Active VSYNC is derived from the selected VSYNC input
- 1 = Active VSYNC is derived from the Sync separated VSYNC (default)

H-PLL and Clamp Control

Subaddress 0Fh Default (2Eh)

7	6	5	4	3	2	1	0
CF	CP	Coast Sel	CPO	CPC	SMO	FCPD	ADC Test

Clamp Function: Clamp pulse select. This control bit determines whether the timing for both the fine clamp and the ALC circuit are generated internally or externally.

- 0 = Internal fine clamp and ALC timing (default)
- 1 = External fine clamp and ALC timing (pin 76)

Clamp Polarity: External clamp polarity select

- 0 = Active high clamp pulse (default)
- 1 = Active low clamp pulse

Coast Select: Coast signal select. This control bit determines whether the timing for H-PLL coast signal is generated internally or externally.

- 0 = External H-PLL coast timing (pin 77)
- 1 = Internal H-PLL coast timing (default)

Coast Polarity Override:

- 0 = Polarity determined by chip (default)
- 1 = Polarity set by Bit 3 in register 0Fh

Coast Polarity Change: External coast polarity select

- 0 = Active low coast signal
- 1 = Active high coast signal (default)

Seek Mode Override: Places the TVP7002 in a low power mode whenever no activity is detected on the selected sync inputs.

- 0 = Enable automatic power management mode
- 1 = Disable automatic power management mode (default)

Note: Digital outputs are not high impedance and may be in a random state during low power mode. Outputs can be put in high impedance state by I²C register 17h.

Full Chip Power-Down: Active low power down. FCPD powers down all blocks except I²C. The I²C register values are retained.

- 0 = Power-down mode
- 1 = Normal operation (default)

Note: Digital outputs are not high impedance and may be in random state during FCPD. Outputs can be put in high impedance state by I²C register 17h.

ADC Test: Active high ADC test mode select. When placed in the ADC test mode, the TVP7002 disables the fine clamp, enables the coarse clamp, and selects the external clock input (pin 80) for each ADC channel.

- 0 = ADC test mode disabled (default)
- 1 = ADC test mode enabled

Note: Also see the Horizontal PLL Control register at subaddress 03h.

Sync-On-Green Threshold

Subaddress 10h Default (5Dh)

7	6	5	4	3	2	1	0
SOG Threshold [4:0]					Blue CS	Green CS	Red CS

SOG Threshold [4:0]: Sets the voltage level of the SOG slicer comparator according to the following equation.

$$\text{slice_level} = (350 \text{ mV}) \times (N_{TH}/31)$$

- 00h = 0 mV
- 0Bh = 124 mV (default)
- 1Fh = 350 mV

Blue Clamp Select: This bit has no effect when the Blue channel fine clamp is disabled (bit 2 of subaddress 2Ah).

- 0 = Bottom-level fine clamp
- 1 = Mid-level fine clamp (default)

Green Clamp Select: This bit has no effect when the Green channel fine clamp is disabled (bit 1 of subaddress 2Ah).

- 0 = Bottom-level fine clamp (default)
- 1 = Mid level fine clamp

Red Clamp Select: This bit has no effect when the Red channel fine clamp is disabled (bit 0 of subaddress 2Ah).

- 0 = Bottom-level fine clamp
- 1 = Mid-level fine clamp (default)

Note: Bottom-level clamping is required for Y and RGB inputs, while mid-level clamping is required for Pb and Pr inputs. The internal clamp pulse must also be correctly positioned for proper clamp operation. See register 05h.

Sync Separator Threshold

Subaddress 11h

Default (20h)

7	6	5	4	3	2	1	0
Sync Separator Threshold [7:0]							

Sync Separator Threshold [7:0]: Sets how many internal clock reference periods the sync separator counts to before toggling high or low. Sync Separator Threshold [7:0] × (minimum clock period) must be greater than the width of the negative sync pulse. This setting can also affect the position of the VSOUT. See register 22h.

Note: The internal clock reference is typically 6.3 MHz, but a minimum clock period of 133 ns is recommended to allow for clock variation.

H-PLL Pre-Coast

Subaddress 12h

Default (00h)

7	6	5	4	3	2	1	0
Pre-Coast [7:0]							

Pre-Coast [7:0]: Sets the number of HSYNC periods that coast becomes active prior to VSYNC leading edge.

H-PLL Post-Coast

Subaddress 13h

Default (00h)

7	6	5	4	3	2	1	0
Post-Coast [7:0]							

Post-Coast [7:0]: Sets the number of HSYNC periods that coast stays active following VSYNC trailing edge. Post-Coast settings must be extended to include Macrovision pseudo syncs when Macrovision is present.

Table 11. Recommended H-PLL Pre-Coast and H-PLL Post-Coast Settings

STANDARD	H-PLL PRE_COAST	H-PLL POST-COAST
480i/p with Macrovision	3	0Ch
576i/p with Macrovision	3	0Ch
1080i	0	0
1080p	0	0
720p	0	0

Sync Detect Status

Subaddress 14h Read Only

7	6	5	4	3	2	1	0
HSD	AHS	IHSPD	VSD	AVS	VSPD	SOGD	ICPD

HSYNC Detect: HSYNC activity detection for selected HSYNC input (pin 81 or 82).

- 0 = No HSYNC activity detected
- 1 = HSYNC activity detected

Active HSYNC: Indicates whether the active HSYNC is derived from the selected HSYNC input or the selected SOG input.

- 0 = HSYNC from selected HSYNC input (pin 81 or 82)
- 1 = HSYNC from selected SOG input (pin 1, 99, or 97)

Input HSYNC Polarity Detect: HSYNC polarity detection for selected HSYNC input (pin 81 or 82).

- 0 = Active low HSYNC
- 1 = Active high HSYNC

VSYNC Detect: VSYNC activity detection for selected VSYNC input (pin 78 or 79).

- 0 = No VSYNC activity detected
- 1 = VSYNC activity detected

Active VSYNC: Indicates whether the active VSYNC is derived from the selected VSYNC input or the sync separator.

- 0 = VSYNC from selected VSYNC input (pin 78 or 79)
- 1 = VSYNC from sync separator

Input VSYNC Polarity Detect: VSYNC polarity detection for selected VSYNC input (pin 78 or 79).

- 0 = Active low VSYNC
- 1 = Active high VSYNC

SOG Detect: SOG activity detection for selected SOG input (pin 1, 99, or 97).

- 0 = No SOG activity detected
- 1 = SOG activity detected

Input Coast Polarity Detect: Coast signal polarity detection.

- 0 = Active low coast signal
- 1 = Active high coast signal

Output Formatter

Subaddress	15h							Default (04h)
7	6	5	4	3	2	1	0	
Reserved	Output code range [1:0]		Reserved	Clamp REF	CbCr order	422/444	Sync En	

Reserved [7]:

0 = Required (default)

Output code range [1:0]:

00 = RGB coding range (Y, Cb, and Cr range from 0 to 1023) (default)

01 = Extended coding range (Y, Cb, and Cr range from 4 to 1019.)

10 = ITU-R BT.601 coding range (Y ranges from 64 to 940, Cb and Cr range from 64 to 960)

11 = Reserved

Reserved [4]:

0 = Required (default)

Clamp REF: Selects which edge of HSYNC is used as the timing reference for the fine clamp pulse placement and also the ALC placement.

0 = Clamp pulse placement referred to the trailing edge of HSYNC (default)

1 = Clamp pulse placement referred to the leading edge of HSYNC

CbCr order: This bit is only effective in the 4:2:2 output mode (i.e., bit 1 is set to 1).

0 = CbCr order

1 = CrCb order (default)

422/444: Active high 4:4:4 to 4:2:2 decimation filter enable

0 = 30-bit 4:4:4 output format (default)

1 = 20-bit 4:2:2 output format

Notes:

1. Multiplexed CbCr data is output on BOUT [9:0] in the 20-bit 4:2:2 output format.

2. 10-bit 4:2:2 output format is not supported.

Sync En: Active high embedded sync enable

0 = Embedded sync disabled (default)

1 = Embedded sync enabled

Notes:

1. Embedded syncs are not supported when the RGB coding range (0 to 1023) is selected.

2. Embedded syncs are not supported when the 30-bit 4:4:4 output format is selected.

3. Discrete syncs are always enabled except when outputs are placed in the high-impedance mode.

4. When enabled, embedded syncs are present in both the Y and C outputs.

MISC Control 1

Subaddress	16h							Default (11h)
7	6	5	4	3	2	1	0	
Reserved			CbCr Align	Reserved		PLL PD	STRTB	

CbCr Align: CbCr alignment

0 = Alternative operation

1 = Normal operation (default)

PLL PD: Active high H-PLL power down

0 = Normal operation (default)

1 = H-PLL powered down

STRTB: Active high H-PLL start-up circuit enable

0 = H-PLL start-up circuit disabled

1 = H-PLL start-up circuit enabled (default)

MISC Control 2**Subaddress 17h**

Default (03h)

7	6	5	4	3	2	1	0
Reserved	Test output control [2:0]			Reserved		SOG En	Output En

Test output control [2:0]: Selects which signal is output on pin 22. Output polarity control is also provided using bit 2 of subaddress 18h.

- 000 = Field ID output (default)
- 001 = Data Enable output
- 010 = Reserved
- 011 = Reserved
- 100 = Internal clock reference output (~6.3 MHz typical)
- 101 = Coast output
- 110 = Clamp pulse output
- 111 = High-impedance mode

SOG En: Active low output enable for SOGOUT output.

- 0 = SOG output enabled
- 1 = SOG output placed in high-impedance mode (default)

Output En: Active low output enable for RGB, DATACLK, HSOUT, VSOUT, and FIDOUT outputs. This control bit allows selecting a high-impedance output mode for multiplexing the output of the TVP7002 with another device.

- 0 = Outputs enabled
- 1 = Outputs placed in high-impedance mode (default)

Note: Data Enable output is equivalent to the internal active video signal that is controlled by the AVID start/stop pixel values and the VBLK offset/duration line values.

MISC Control 3**Subaddress 18h**

Default (00h)

7	6	5	4	3	2	1	0
Reserved	Reserved	Blank En	CSC En	Reserved	FID POL	SOG POL	CLK POL

Reserved [7]:

- 0 = Required (default)

Blank En: Active high blank level enable. Forces the video blank level to a standard value when using embedded syncs.

- 0 = Normal operation (default)
- 1 = Force standard blank levels

CSC En: Active high CSC enable. When disabled, the CSC block is bypassed.

- 0 = CSC disabled (default)
- 1 = CSC enabled

FID POL: Active high Field ID output polarity control. Under normal operation, the field ID output is set to logic 1 for an odd field (field 1) and set to logic 0 for an even field (field 0).

- 0 = Normal operation (default)
- 1 = FID output polarity inverted

Note: This control bit also affects the polarity of the data enable output when selected (see Test output control [2:0] at subaddress 17h).

SOG POL: Active high SOG output polarity control

- 0 = Normal operation (default)
- 1 = SOG output polarity inverted

CLK POL: Allows selecting the polarity of the output data clock.

- 0 = Data is clocked out on rising edge of DATACLK (default)
- 1 = Data is clocked out on falling edge of DATACLK

Input Mux Select 1

Subaddress 19h

Default (00h)

7	6	5	4	3	2	1	0
SOG Select [1:0]		Red Select [1:0]		Green Select [1:0]		Blue Select [1:0]	

SOG Select [1:0]: Selects one of three SOG inputs.

- 00 = SOGIN_1 input selected (default)
- 01 = SOGIN_2 input selected
- 10 = SOGIN_3 input selected
- 11 = Reserved

Red Select [1:0]: Selects one of three R/Pr inputs.

- 00 = RIN_1 input selected (default)
- 01 = RIN_2 input selected
- 10 = RIN_3 input selected
- 11 = Reserved

Green Select [1:0]: Selects one of four G/Y inputs.

- 00 = GIN_1 input selected (default)
- 01 = GIN_2 input selected
- 10 = GIN_3 input selected
- 11 = GIN_4 input selected

Blue Select [1:0]: Selects one of three B/Pb inputs.

- 00 = BIN_1 input selected (default)
- 01 = BIN_2 input selected
- 10 = BIN_3 input selected
- 11 = Reserved

Input Mux Select 2

Subaddress 1Ah

Default (C2h)

7	6	5	4	3	2	1	0
SOG LPF SEL [1:0]		CLP LPF SEL [1:0]		CLK SEL	VS SEL	PCLK SEL	HS SEL

SOG LPF SEL [1:0]: SOG low-pass filter selection. The SOG low-pass filter is used to attenuate any glitches present on the SOG input.

- 00 = 2.5-MHz low-pass filter
- 01 = 10-MHz low-pass filter
- 10 = 33-MHz low-pass filter
- 11 = Low-pass filter bypass (default)

CLP LPF SEL [1:0]: Coarse clamp low-pass filter selection. This filter effects the operation of all enabled coarse clamps which is generally the SOG coarse clamp only.

- 00 = 4.8-MHz low-pass filter (default)
- 01 = 0.5-MHz low-pass filter
- 10 = 1.7-MHz low-pass filter
- 11 = Reserved

CLK SEL: Clock reference select for Sync Processing block. The internal reference clock is typically 6.3 MHz, but it should not be considered a precise clock. An external 27-MHz reference clock is therefore recommended for accurate mode detection. Note: The I²C interface, Sync Separator, and activity detection circuitry always uses the internal clock reference.

- 0 = Internal clock reference (default)
- 1 = External clock reference (EXT_CLK)

Note: The external clock input can also be selected as the sample clock for the ADCs (see bit 1).

VS SEL: VSYNC input select

- 0 = VSYNC_A input selected (default)
- 1 = VSYNC_B input selected

PCLK SEL: Pixel clock selection. When the external clock input (pin 80) is selected as the ADC sample clock, the external clamp pulse (pin 76) should also be selected (Bit 7 of subaddress 0Fh).

- 0 = ADC samples data using external clock input (pin 80)
- 1 = ADC samples data using H-PLL generated clock (default)

Note: The external clock input can also be selected as the reference clock for the Sync Processing block (see bit 3).

HS SEL: HSYNC input select

- 0 = HSYNC_A input selected (default)
- 1 = HSYNC_B input selected

Note: See the Sync Control register at subaddress 0Eh.

Blue and Green Coarse Gain

Subaddress 1Bh Default (77h)

7	6	5	4	3	2	1	0
Green Coarse Gain [3:0]				Blue Coarse Gain [3:0]			

Green Coarse Gain [3:0]: 4-bit coarse analog gain for Green channel (applied before the ADC). To avoid clipping at the ADC, $V_{P,P}$ in X Gain must be less than $1 V_{P,P}$.

Gain [3:0]	Description
0000 = 0.5	
0001 = 0.6	
0010 = 0.7	
0011 = 0.8	
0100 = 0.9	
0101 = 1.0	
0110 = 1.1	
0111 = 1.2	Default
1000 = 1.3	Maximum recommended gain for 700 mV _{P,P} input
1001 = 1.4	
1010 = 1.5	
1011 = 1.6	
1100 = 1.7	
1101 = 1.8	
1110 = 1.9	
1111 = 2.0	

Blue Coarse Gain [3:0]: 4-bit coarse analog gain for Blue channel (applied before the ADC).

Red Coarse Gain

Subaddress 1Ch Default (07h)

7	6	5	4	3	2	1	0
Reserved				Red Coarse Gain [3:0]			

Red Coarse Gain [3:0]: 4-bit coarse analog gain for Red channel (applied before ADC).

Fine Offset LSBs

Subaddress 1Dh Default (00h)

7	6	5	4	3	2	1	0
Reserved		Red Fine Offset [1:0]		Green Fine Offset [1:0]		Blue Fine Offset [1:0]	

Red Fine Offset [1:0]: Two LSBs of 10-bit fine digital offset for Red channel (applied after ADC). Corresponding eight MSBs located at register 0Dh. Offset binary value

Green Fine Offset [1:0]: Two LSBs of 10-bit fine digital offset for Green channel (applied after ADC). Corresponding eight MSBs located at register 0Ch. Offset binary value.

Blue Fine Offset [1:0]: Two LSBs of 10-bit fine digital offset for Blue channel (applied after ADC). Corresponding eight MSBs located at register 0Bh. Offset binary value.

Blue Coarse Offset

Subaddress 1Eh Default (10h)

7	6	5	4	3	2	1	0
Reserved		Blue Coarse Offset [5:0]					

Blue Coarse Offset [5:0]: 6-bit coarse analog offset for blue channel (applied before ADC). 6-bit sign magnitude value.

- 1Fh = +124 counts
- 10h = +64 counts referred to ADC output (default)
- 01h = +4 counts
- 00h = +0 counts
- 20h = -0 counts
- 21h = -4 counts
- 3Fh = -124 LSB

Green Coarse Offset**Subaddress** 1Fh

Default (10h)

7	6	5	4	3	2	1	0
Reserved		Green Coarse Offset [5:0]					

Green Coarse Offset [5:0]: 6-bit coarse analog offset for Green channel (applied before ADC). 6-bit sign magnitude value.

Red Coarse Offset**Subaddress** 20h

Default (10h)

7	6	5	4	3	2	1	0
Reserved		Red Coarse Offset [5:0]					

Red Coarse Offset [5:0]: 6-bit coarse analog offset for Red channel (applied before ADC). 6-bit sign magnitude value.

HSOUT Output Start**Subaddress** 21h

Default (0Dh)

7	6	5	4	3	2	1	0
HSOUT Start [7:0]							

HSOUT Start [7:0]: Adjusts the leading edge of the HSYNC output relative to the leading edge of the HSYNC input in pixel or clock cycles.

MISC Control 4**Subaddress** 22h

Default (08h)

7	6	5	4	3	2	1	0
SP Reset	Yadj_delay [2:0]			MAC_EN	Coast Dis	VS Select	VS Bypass

SP Reset: Active high reset for Sync Processing block. This bit may be used to manually reset the sync separator, sync accumulator, activity and polarity detectors, and line and pixels counters.

0 = Normal operation (default)

1 = Sync processing reset

Yadj_delay [2:0]: Adjusts the phase delay of the luma output relative to the chroma output. Used to compensate for the chroma delay associated with the 4:4:4 to 4:2:2 chroma sample conversion.

0h = Minimum delay (default)

7h = Maximum delay

MAC_EN: Toggling of the MAC_EN bit was required for TVP7000 and TVP7001 Macrovision support. This is no longer required with the TVP7002.

0 = Macrovision stripper disabled (recommended)

1 = Macrovision stripper enabled (default)

Note: For correct ALC and fine clamp pulse placement, the MAC_EN bit must be set to 0 in the TVP7002.

Coast Dis: Active high internal coast signal disable for 5-wire PC graphics inputs. Has no effect when the external coast signal is selected. See bit 5 of register 0Fh.

0 = Internal coast signal enabled (default)

1 = Internal coast signal disabled

VS Select: VSYNC select

0 = VSOUT is generated by the sync separator.

1 = VSOUT is generated by the half line accumulator (default).

VS Bypass: VSYNC timing bypass

0 = Normal operation (default). VS is derived from the sync separator or half line accumulator based on VS select, and the internal pixel/line counters. Register 35h can be used to adjust VSOUT alignment relative to HSOUT.

1 = Bypass VSYNC processing. VSOUT is derived directly from the sync separator. VSOUT delay varies with sync separator threshold (register 11h). Register 35h has no effect.

Blue Digital ALC Output LSBs

Subaddress 23h

Read only

7	6	5	4	3	2	1	0
Blue ALC Out [7:0]							

Blue ALC Out [7:0]: Eight LSBs of 10-bit filtered digital ALC output for Blue channel. The corresponding two MSBs are located at subaddress 27h. With the internal ALC loop enabled, the ADC dynamic range can be maximized by adjusting the coarse offset settings based on the ALC read back values. See registers 1Eh–20h for analog coarse offset control. Twos-complement value.

ALC Out[9:0] = ADC output – 512

For bottom-level clamped inputs (YRGB):

- Target ADC output blank level = 16 to avoid bottom level clipping at ADC
ALC Out[9:0] = 16 – 512 = –496 = 210h
- Starting from positive offset, decrement YRGB coarse offset until ALC Out [9:0] ≤ –496

For mid-level clamped inputs (PbPr):

- Target ADC output blank level = 512
ALC Out[9:0] = 512 – 512 = 0
- Starting from positive offset, decrement PbPr coarse offset until ALC Out [9:0] ≤ 0.

Green Digital ALC Output LSBs

Subaddress 24h

Read only

7	6	5	4	3	2	1	0
Green ALC Out [7:0]							

Green ALC Out [7:0]: Eight LSBs of 10-bit filtered digital ALC output for Green channel. The corresponding two MSBs are located at subaddress 27h. Twos-complement value. Also see register 23h.

Red Digital ALC Output LSBs

Subaddress 25h

Read only

7	6	5	4	3	2	1	0
Red ALC Out [7:0]							

Red ALC Out [7:0]: Eight LSBs of 10-bit filtered digital ALC output for Red channel. The corresponding two MSBs are located at subaddress 27h. Twos-complement value. Also see register 23h.

Automatic Level Control Enable

Subaddress 26h

Default (80h)

7	6	5	4	3	2	1	0
ALC enable	Reserved						

ALC enable: Active high automatic level control (ALC) enable

0 = ALC disabled

1 = ALC enabled (default)

See the ALC Placement register located at subaddress 31h.

Digital ALC Output MSBs

Subaddress 27h

Read only

7	6	5	4	3	2	1	0
Reserved		Red ALC Out [9:8]		Green ALC Out [9:8]		Blue ALC Out [9:8]	

Red ALC Out [9:8]: Two MSBs of 10-bit filtered digital ALC output for Red channel. The corresponding eight LSBs are located at subaddress 25h. Twos-complement value.

Green ALC Out [9:8]: Two MSBs of 10-bit filtered digital ALC output for Green channel. The corresponding eight LSBs are located at subaddress 24h. Twos-complement value.

Blue ALC Out [9:8]: Two MSBs of 10-bit filtered digital ALC output for Blue channel. The corresponding eight LSBs are located at subaddress 23h. Twos-complement value.

Automatic Level Control Filter

Subaddress **28h** Default (53h)

7	6	5	4	3	2	1	0
Reserved	NSV [3:0]				NSH [2:0]		

NSV [3:0]: ALC vertical filter coefficient. First-order recursive filter coefficient. ALC updates once per video line.

NSV [3:0]	Description
0000 = 1	Fastest setting. ALC converges in one iteration (i.e., one video line)
0001 = 1/2	
0010 = 1/4	
0011 = 1/8	
0100 = 1/16	
0101 = 1/32	
0110 = 1/64	
0111 = 1/128	
1000 = 1/256	
1001 = 1/512	
1010 = 1/1024 (default)	Slowest setting. Provides the most filtering.
1011 = 1/1024	
1100 = 1/1024	
1101 = 1/1024	
1110 = 1/1024	
1111 = 1/1024	

NSH [2:0]: ALC horizontal sample filter coefficient. Multi-tap running average filter coefficient.

NSH [2:0]	Description
000 = 1/2	2-tap running average filter
001 = 1/4	
010 = 1/8	
011 = 1/16 (default)	
100 = 1/32	
101 = 1/64	
110 = 1/128	
111 = 1/256	256-tap running average filter

Reserved

Subaddress **29h** Default (08h)

7	6	5	4	3	2	1	0
Reserved[7:0]							

Reserved [7:0]:

08h = Required (default)

Fine Clamp Control

Subaddress 2Ah Default (07h)

7	6	5	4	3	2	1	0
CM Offset	Reserved		Fine swsel [1:0]		Reserved	Fine GB	Fine R

CM Offset: Fine bottom-level clamp common mode offset enable. The common mode offset is approximately 300 mV when enabled. Has no effect when the coarse clamp or fine mid-level clamp is selected. See registers 10h and 2Dh.

- 0 = Common mode offset disabled (default)
- 1 = Common mode offset enabled

Note: The 300-mV common-mode offset can be enabled to improve isolation and channel crosstalk, when inputs with sync tips larger than nominal (>300 mV) must be supported.

Reserved [6:5]:

- 0 = Normal operation (default)

Fine swsel: Fine clamp time constant adjustment

- 00 = Longest time constant (default)
- 11 = Shortest time constant

Reserved [2]:

- 1 = Normal operation (default)

Fine GB: Active high fine clamp enable for Green and Blue channel

- 0 = Green channel fine clamp disabled
- 1 = Green and Blue channel fine clamps enabled (default)

Fine R: Active high fine clamp enable for Red channel

- 0 = Red channel fine clamp disabled
- 1 = Red channel fine clamp enabled (default)

Note: Leave Fine GB and Fine R bits turned on for proper clamp operation. See register 10h for mid and bottom level clamping control.

Power Control

Subaddress 2Bh (Default 00h)

7	6	5	4	3	2	1	0
Reserved	SOG	SLICER	REF	CURRENT	PW ADC B	PW ADC G	PW ADC R

SOG:

- 0 = Normal operation (default)
- 1 = SOG power-down

Slicer:

- 0 = Normal operation (default)
- 1 = Slicer power-down

Reference:

- 0 = Normal operation (default)
- 1 = Reference block power-down

Current control:

- 0 = Normal operation (default)
- 1 = Current control block power-down

PW ADC B: Active high power-down for ADC blue channel

- 0 = ADC blue channel power-down disabled (default)
- 1 = ADC blue channel power-down enabled

PW ADC G: Active high power-down for ADC green channel

- 0 = ADC green channel power-down disabled (default)
- 1 = ADC green channel power-down enabled

PW ADC R: Active high power-down for ADC red channel

- 0 = ADC red channel power-down disabled (default)
- 1 = ADC red channel power-down enabled

ADC Setup**Subaddress 2Ch**

(Default 50h)

7	6	5	4	3	2	1	0
ADC bias control [3:0]				Trim clamp [3:0]			

ADC bias control [3:0]: Allows adjusting the internal ADC bias current for optimum performance.

- 0h = Minimum setting
- 5h = Recommended setting for sample rates \leq 110 MSPS (default)
- 8h = Recommended setting for sample rates $>$ 110 MSPS
- Fh = Maximum setting

Trim clamp [3:0]: SOG coarse clamp bias current control.

- 0h = 2 μ A (default)
- 3h = 8 μ A
- Fh = 32 μ A

IBIAS = 2 + 2 \times NBIAS, where $0 \leq$ NBIAS \leq 15

The SOG coarse clamp leakage current (subaddress 30h) is derived from the SOG coarse clamp bias current.

Coarse Clamp Control**Subaddress 2Dh**

Default (00h)

7	6	5	4	3	2	1	0
CCCLP_cur_CH1 [1:0]		Reserved [5:3]			Coarse B	Coarse G	Coarse R

CCCLP_cur_CH1 [1:0]: Coarse clamp charge current switch selection.

- 00 = Highest charge current setting (default)
- 11 = Lowest charge current setting

Reserved [5:3]:

- 000 = Normal operation (default)

Coarse B: Active high coarse clamp enable for Blue channel

- 0 = Blue channel coarse clamp disabled (default)
- 1 = Blue channel coarse clamp enabled

Coarse G: Active high coarse clamp enable for Green channel

- 0 = Green channel coarse clamp disabled (default)
- 1 = Green channel coarse clamp enabled

Coarse R: Active high coarse clamp enable for Red channel

- 0 = Red channel coarse clamp disabled (default)
- 1 = Red channel coarse clamp enabled

Note: Enabling Coarse clamps will disable Fine clamps and override Fine clamp enable settings in subaddress 2Ah.

SOG Clamp**Subaddress 2Eh**

(Default 80h)

7	6	5	4	3	2	1	0
SOG_CE	CCCLP_cur_SOG [1:0]		upi_sog	dwni_sog	upi_ch123 [2:0]		

SOG_CE: Active high SOG clamp enable.

- 0 = SOG clamp disabled
- 1 = SOG clamp enabled (default)

CCCLP_cur_SOG [1:0]: SOG coarse clamp charge current switch selection.

- 00 = Lowest charge current setting (default)
- 11 = Highest charge current setting

Reserved [4:0]:

- 0 = Normal operation (default)

RGB Coarse Clamp Control

Subaddress 2Fh (Default 8Ch)

7	6	5	4	3	2	1	0
Reserved		RGB leakage [5:0]					

RGB leakage [5:0]: RGB channel coarse clamp leakage current switch. Increasing the coarse clamp leakage current increases horizontal droop but improves hum rejection.

- 00h = 0.5 μ A
- 0Ch = 6.5 μ A when IBIAS = 2 μ A (default)
- 3Fh = 32.0 μ A when IBIAS = 2 μ A
- Droop_Current = 0.5 + (IBIAS/4) \times N_{DC}, where 0 \leq N_{DC} \leq 63

SOG Coarse Clamp Control

Subaddress 30h (Default 04h)

7	6	5	4	3	2	1	0
Reserved		SOG leakage [5:0]					

SOG leakage [5:0]: SOG coarse clamp leakage current switch. The SOG coarse clamp leakage current is derived from the bias current. Increasing the coarse clamp leakage current increases horizontal droop but improves hum rejection.

- 00h = 0.01 μ A
- 04h = 0.21 μ A when IBIAS = 2 μ A (default)
- 3Fh = 3.16 μ A when IBIAS = 2 μ A
- Droop_Current = (0.01 + (IBIAS/40)) \times N_{DC}, where 0 \leq N_{DC} \leq 63
- Note: IBIAS is controlled using Trim clamp [3:0] at subaddress 2Ch.

ALC Placement

Subaddress 31h (Default 5Ah)

7	6	5	4	3	2	1	0
ALC placement [7:0]							

ALC placement [7:0]: Positions the ALC signal an integer number of clock periods after either the leading edge or the trailing edge (default) of the HSYNC signal. Bit 3 of subaddress 15h allows selecting which edge of HSYNC is used as the timing reference for ALC placement. The ALC must be applied after the end of the fine clamp interval.

- 0 = Minimum setting
- 18h = PC graphics and SDTV with bi-level syncs
- 5Ah = HDTV with tri-level syncs (default)

Reserved

Subaddress 32h Default (18h)

7	6	5	4	3	2	1	0
Reserved[7:0]							

Reserved

Subaddress 33h Default (60h)

7	6	5	4	3	2	1	0
Reserved[7:0]							

Reserved

Subaddress 34h Default (03h)

7	6	5	4	3	2	1	0
Reserved[7:0]							

VSYNC Alignment**Subaddress** 35h

Default (10h)

7	6	5	4	3	2	1	0
VS-HS Align [7:0]							

VS-HS Align [7:0]: Specifies the number of pixels that the leading edge of the VSYNC output should be delayed or advanced relative to the leading edge of the HSYNC output. The Field ID output is delayed by the same amount. Twos-complement number. This register has no effect when either Sync bypass mode is enabled (see subaddresses 22h and 36h).

00h–7Fh = VSYNC leading edge delayed relative to the HSYNC leading edge

FFh–80h = VSYNC leading edge advanced relative to the HSYNC leading edge

Sync Bypass**Subaddress** 36h

Default (00h)

7	6	5	4	3	2	1	0
Reserved				VS INV	HS INV	VS BP	HS BP

VS INV: VSYNC output polarity control. This bit only has an effect if the VSYNC bypass is asserted (bit 1 = 1).

0 = HSYNC output polarity matches input polarity (default)

1 = HSYNC output polarity inverted

HS INV: HSYNC output polarity control. This bit only has an effect if the HSYNC bypass is asserted (bit 0 = 1).

0 = HSYNC output polarity matches input polarity (default)

1 = HSYNC output polarity inverted

VS BP: VSYNC bypass. This bit enables bypassing the Sync processing block in order to output a raw unprocessed VSYNC.

0 = Normal operation (default)

1 = VSYNC bypass mode

HS BP: HSYNC bypass. This bit enables bypassing the Sync processing block in order to output a raw unprocessed HSYNC.

0 = Normal operation (default)

1 = HSYNC bypass mode

Note: See register 14h for input sync polarity detect.

Lines Per Frame Status**Subaddress** 37h–38h

Read only

Subaddress	7	6	5	4	3	2	1	0
37h	Lines per Frame [7:0]							
38h	Reserved	mac detect	P/I detect	Reserved	Lines per Frame [11:8]			

mac detect: Macrovision pseudo-sync detection status

0 = Macrovision not detected

1 = Macrovision detected

P/I detect: Progressive/interlaced video detection status. Not dependent on the H-PLL being locked.

0 = Interlaced video detected

1 = Progressive video detected

Lines per Frame [11:0]: Number of lines per frame.

The lines per frame value may be used along with the clocks per line value (subaddresses 39h–3Ah) to determine the vertical frequency (f_v) of the video input.

$$f_v = \text{clock reference frequency} / \text{clocks per line} / \text{lines per frame}$$

Note: The Lines per Frame counter is not dependent on the H-PLL being locked.

Clocks Per Line Status

Subaddress 39h–3Ah Read only

Subaddress	7	6	5	4	3	2	1	0
39h	Clocks per Line [7:0]							
3Ah	Reserved				Clocks per Line [11:8]			

Clocks per Line [11:0]: Number of clock cycles per line. The value written to this register represents the length of the longest line per frame. A known timing reference based on either the internal clock reference (~6.3 MHz) or an external clock reference input (EXT_CLK) of up to 27 MHz may be selected using subaddress 1Ah.

The clocks per line value may be used to determine the horizontal frequency (f_H) of the video input.

$$f_H = \text{clock reference frequency} / \text{clocks per line}$$

Note: The Clocks per Line counter is not dependent on the H-PLL being locked.

HSYNC Width

Subaddress 3Bh Read only

7	6	5	4	3	2	1	0
HSYNC width [7:0]							

HSYNC width [7:0]: Number of clock cycles between the leading and trailing edges of the HSYNC input. A known timing reference based on either the internal clock reference (~6.3 MHz) or an external clock reference input (EXT_CLK) of up to 27 MHz may be selected using subaddress 1Ah.

Note: The HSYNC width counter is not dependent on the H-PLL being locked.

VSYNC Width

Subaddress 3Ch Read only

7	6	5	4	3	2	1	0
Reserved			VSYNC width [4:0]				

VSYNC width [4:0]: Number of lines between the leading and trailing edges of the VSYNC input. The VSYNC width along with the HSYNC and VSYNC polarities can be used to determine whether the input graphics format is using VESA-CVT generated timings.

Note: The VSYNC width counter is not dependent on the H-PLL being locked.

Line Length Tolerance

Subaddress 3Dh Default (03h)

7	6	5	4	3	2	1	0
Reserved	Line length tolerance [6:0]						

Line length tolerance [6:0]: Controls sensitivity to HSYNC input stability when using either the internal or external clock reference. Increasing the line length tolerance may be required for input signals having horizontal instability. Effects the clock cycles per line counter (see subaddresses 39h–3Ah)

00h = No tolerance (minimum)

03h = 3 line length tolerance (default)

7Fh = 127 line length tolerance (maximum)

Reserved

Subaddress 3Eh Default (04h)

7	6	5	4	3	2	1	0
Reserved [7:0]							

Reserved [7:0]:

04h = Required setting (default)

Video Bandwidth Control

Subaddress 3Fh

Default (00h)

7	6	5	4	3	2	1	0
Reserved				BW select [3:0]			

BW select [3:0]: Selectable low-pass filter settings for controlling the analog video bandwidth. This control affects the analog video bandwidth of all three ADC channels.

0h = Highest video bandwidth (default)

Fh = Lowest video bandwidth (~95 MHz analog video bandwidth)

Note: This register can be used to filter high frequency noise but lacks the precision for maximum filtering of various video formats. The lowest bandwidth setting provides a video bandwidth of at least 50 MHz.

AVID Start Pixel

Subaddress 40h–41h

Default (012Ch)

Subaddress	7	6	5	4	3	2	1	0
40h	AVID start [7:0]							
41h	Reserved		AVID active	AVID start [12:8]				

AVID active

0 = AVID out active during VBLK (default)

1 = AVID out inactive during VBLK

AVID start [12:0]: AVID start pixel number, this is an absolute pixel location from the leading edge of HSYNC (start pixel 0). The TVP7002 updates the AVID start only when the AVID start MSB byte is written to.

AVID start pixel register also controls the position of SAV code. The TVP7002 inserts the SAV code four pixels before the pixel number specified in the AVID start pixel register.

AVID Stop Pixel

Subaddress 42h–43h

Default (062Ch)

Subaddress	7	6	5	4	3	2	1	0
42h	AVID stop [7:0]							
43h	Reserved			AVID stop [12:8]				

AVID stop [12:0]: AVID stop pixel number. The number of pixels of active video must be an even number. This is an absolute pixel location from the leading edge of HSYNC (start pixel 0).

The TVP7002 updates the AVID Stop only when the AVID Stop MSB byte is written to.

AVID stop pixel register also controls the position of EAV code.

VBLK Field 0 Start Line Offset

Subaddress 44h

Default (05h)

7	6	5	4	3	2	1	0
VBLK start 0 [7:0]							

VBLK start 0 [7:0]: VBLK start line offset for field 0 relative to the leading edge of VSYNC. The VBLK start line offset value affects the location of transitions on the embedded sync V-bit and VBLK of the Data Enable output, but not the VSYNC output (VSOUT). Unsigned integer.

VBLK Field 1 Start Line Offset

Subaddress 45h

Default (05h)

7	6	5	4	3	2	1	0
VBLK start 1 [7:0]							

VBLK start 1 [7:0]: VBLK start line offset for field 1 relative to the leading edge of VSYNC. The VBLK start line offset value affects the location of transitions on the embedded sync V-bit and VBLK of the Data Enable output, but not the VSYNC output (VSOUT). Unsigned integer.

VBK Field 0 Duration

Subaddress 46h Default (1Eh)

7	6	5	4	3	2	1	0
VBK duration 0 [7:0]							

VBK duration 0 [7:0]: VBK duration in lines for field 0.

VBK Field 1 Duration

Subaddress 47h Default (1Eh)

7	6	5	4	3	2	1	0
VBK duration 1 [7:0]							

VBK duration 1 [7:0]: VBK duration in lines for field 1.

F-bit Field 0 Start Line Offset

Subaddress 48h Default (00h)

7	6	5	4	3	2	1	0
F-bit start 0 [7:0]							

F-bit start 0 [7:0]: F-bit Field 0 start line offset relative to the leading edge of VSYNC, signed integer, set F-bit to 0 until field 1 start line, it only applies in interlaced mode. For a non-interlace mode, F-bit is always set to 0.

Note: The field ID output (FIDOUT) is always aligned with the leading edge of the VSYNC output (VSOUT).

F-bit Field 1 Start Line Offset

Subaddress 49h Default (00h)

7	6	5	4	3	2	1	0
F-bit start 1 [7:0]							

F-bit start 1 [7:0]: F-bit Field 1 start line offset relative to the leading edge of VSYNC, signed integer, set F-bit to 1 until field 0 start line, it only applies in interlaced mode. For a non-interlace mode, F-bit is always set to 0.

Note: The field ID output (FIDOUT) is always aligned with the leading edge of the VSYNC output (VSOUT).

1st CSC Coefficient

Subaddress 4Ah–4Bh Default (16E3h)

Subaddress	7	6	5	4	3	2	1	0
4Ah	1st Coefficient [7:0]							
4Bh	1st Coefficient [15:8]							

1st Coefficient [15:0]: 16-bit G' coefficient MSB for Y

2nd CSC Coefficient

Subaddress 4Ch–4Dh Default (024Fh)

Subaddress	7	6	5	4	3	2	1	0
4Ch	2nd Coefficient [7:0]							
4Dh	2nd Coefficient [15:8]							

2nd Coefficient [15:0]: 16-bit B' coefficient MSB for Y

3rd CSC Coefficient

Subaddress 4Eh–4Fh Default (06CEh)

Subaddress	7	6	5	4	3	2	1	0
4Eh	3rd Coefficient [7:0]							
4Fh	3rd Coefficient [15:8]							

3rd Coefficient [15:0]: 16-bit R' coefficient MSB for Y

4th CSC Coefficient**Subaddress** 50h–51h

Default (F3ABh)

Subaddress	7	6	5	4	3	2	1	0
50h	4th Coefficient [7:0]							
51h	4th Coefficient [15:8]							

4th Coefficient [15:0]: 16-bit G' coefficient MSB for U

5th CSC Coefficient**Subaddress** 52h–53h

Default (1000h)

Subaddress	7	6	5	4	3	2	1	0
52h	5th Coefficient [7:0]							
53h	5th Coefficient [15:8]							

5th Coefficient [15:0]: 16-bit B' coefficient MSB for U

6th CSC Coefficient**Subaddress** 54h–55h

Default (FC55h)

Subaddress	7	6	5	4	3	2	1	0
54h	6th Coefficient [7:0]							
55h	6th Coefficient [15:8]							

6th Coefficient [15:0]: 16-bit R' coefficient MSB for U

7th CSC Coefficient**Subaddress** 56h–57h

Default (F178h)

Subaddress	7	6	5	4	3	2	1	0
56h	7th Coefficient [7:0]							
57h	7th Coefficient [15:8]							

7th Coefficient [15:0]: 16-bit G' coefficient MSB for V

8th CSC Coefficient**Subaddress** 58h–59h

Default (FE88h)

Subaddress	7	6	5	4	3	2	1	0
58h	8th Coefficient [7:0]							
59h	8th Coefficient [15:8]							

8th Coefficient [15:0]: 16-bit B' coefficient MSB for V

9th CSC Coefficient**Subaddress** 5Ah–5Bh

Default (1000h)

Subaddress	7	6	5	4	3	2	1	0
5Ah	9th Coefficient [7:0]							
5Bh	9th Coefficient [15:8]							

9th Coefficient [15:0]: 16-bit R' coefficient MSB for V

APPLICATION INFORMATION

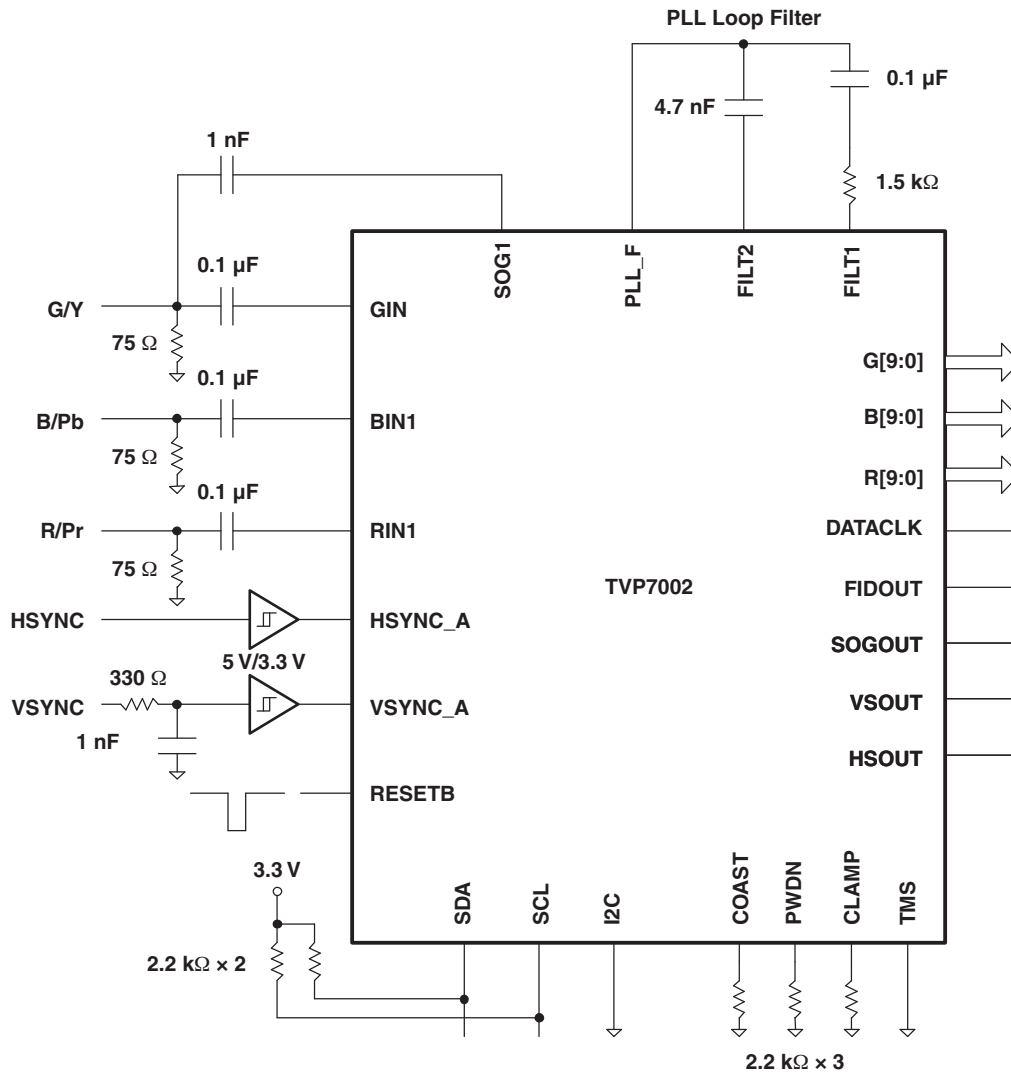


Figure 8. TVP7002 Application Example

PACKAGING INFORMATION

Orderable Device	Status ⁽¹⁾	Package Type	Package Drawing	Pins	Package Qty	Eco Plan ⁽²⁾	Lead/Ball Finish	MSL Peak Temp ⁽³⁾
TVP7002PZP	PREVIEW	HTQFP	PZP	100		TBD	Call TI	Call TI
TVP7002PZPR	PREVIEW	HTQFP	PZP	100		TBD	Call TI	Call TI

⁽¹⁾ The marketing status values are defined as follows:

ACTIVE: Product device recommended for new designs.

LIFEBUY: TI has announced that the device will be discontinued, and a lifetime-buy period is in effect.

NRND: Not recommended for new designs. Device is in production to support existing customers, but TI does not recommend using this part in a new design.

PREVIEW: Device has been announced but is not in production. Samples may or may not be available.

OBSOLETE: TI has discontinued the production of the device.

⁽²⁾ Eco Plan - The planned eco-friendly classification: Pb-Free (RoHS), Pb-Free (RoHS Exempt), or Green (RoHS & no Sb/Br) - please check <http://www.ti.com/productcontent> for the latest availability information and additional product content details.

TBD: The Pb-Free/Green conversion plan has not been defined.

Pb-Free (RoHS): TI's terms "Lead-Free" or "Pb-Free" mean semiconductor products that are compatible with the current RoHS requirements for all 6 substances, including the requirement that lead not exceed 0.1% by weight in homogeneous materials. Where designed to be soldered at high temperatures, TI Pb-Free products are suitable for use in specified lead-free processes.

Pb-Free (RoHS Exempt): This component has a RoHS exemption for either 1) lead-based flip-chip solder bumps used between the die and package, or 2) lead-based die adhesive used between the die and leadframe. The component is otherwise considered Pb-Free (RoHS compatible) as defined above.

Green (RoHS & no Sb/Br): TI defines "Green" to mean Pb-Free (RoHS compatible), and free of Bromine (Br) and Antimony (Sb) based flame retardants (Br or Sb do not exceed 0.1% by weight in homogeneous material)

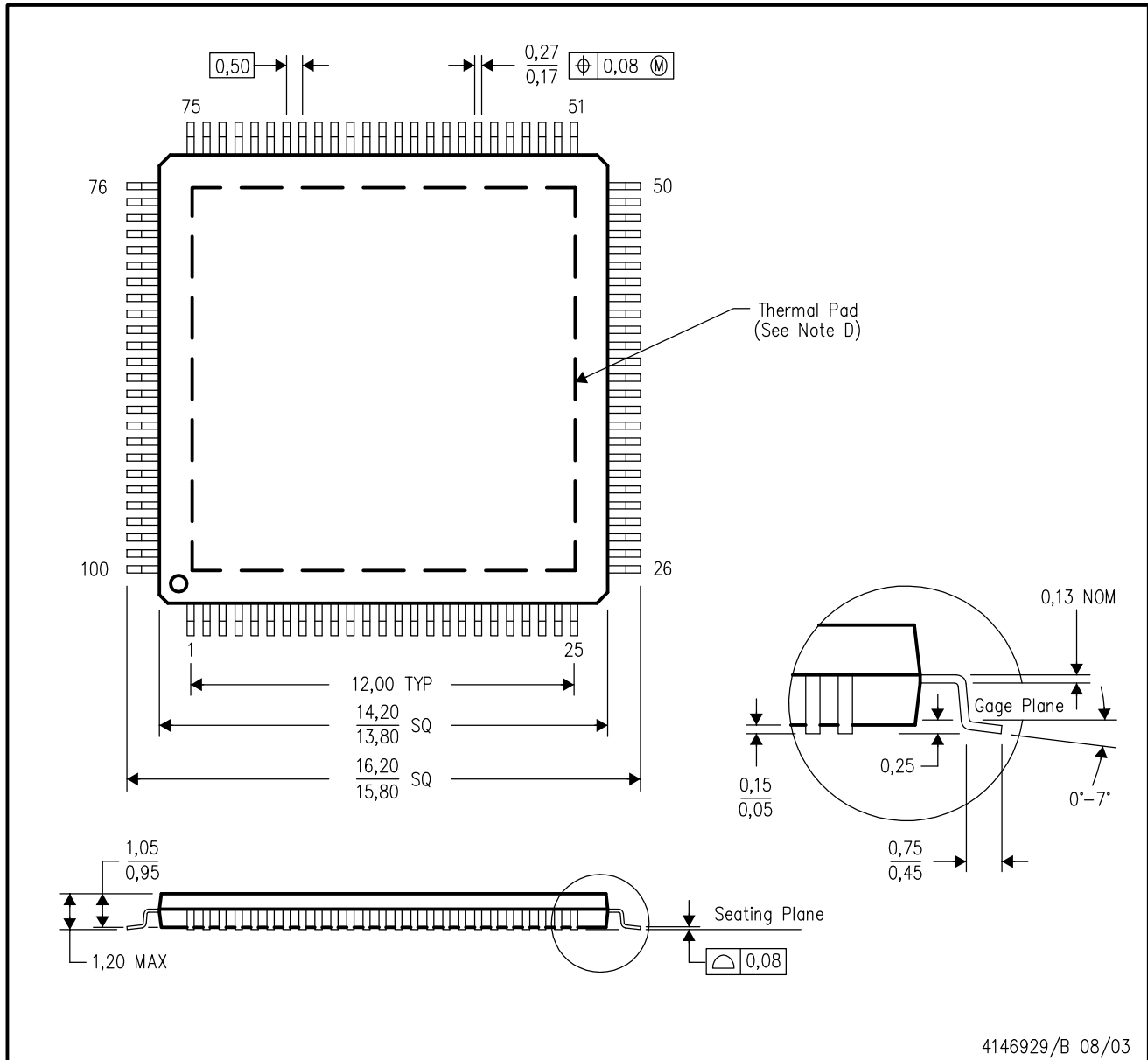
⁽³⁾ MSL, Peak Temp. -- The Moisture Sensitivity Level rating according to the JEDEC industry standard classifications, and peak solder temperature.

Important Information and Disclaimer:The information provided on this page represents TI's knowledge and belief as of the date that it is provided. TI bases its knowledge and belief on information provided by third parties, and makes no representation or warranty as to the accuracy of such information. Efforts are underway to better integrate information from third parties. TI has taken and continues to take reasonable steps to provide representative and accurate information but may not have conducted destructive testing or chemical analysis on incoming materials and chemicals. TI and TI suppliers consider certain information to be proprietary, and thus CAS numbers and other limited information may not be available for release.

In no event shall TI's liability arising out of such information exceed the total purchase price of the TI part(s) at issue in this document sold by TI to Customer on an annual basis.

PZP (S-PQFP-G100)

PowerPAD™ PLASTIC QUAD FLATPACK



- NOTES:
- A. All linear dimensions are in millimeters.
 - B. This drawing is subject to change without notice.
 - C. Body dimensions do not include mold flash or protrusion
 - D. This package is designed to be molded to a thermal pad on the board. Refer to Technical Brief, PowerPad Thermally Enhanced Package, Texas Instruments Literature No. SLMA002 for information regarding recommended board layout. This document is available at www.ti.com <<http://www.ti.com>>.
 - E. Falls within JEDEC MS-026

PowerPAD is a trademark of Texas Instruments.

IMPORTANT NOTICE

Texas Instruments Incorporated and its subsidiaries (TI) reserve the right to make corrections, modifications, enhancements, improvements, and other changes to its products and services at any time and to discontinue any product or service without notice. Customers should obtain the latest relevant information before placing orders and should verify that such information is current and complete. All products are sold subject to TI's terms and conditions of sale supplied at the time of order acknowledgment.

TI warrants performance of its hardware products to the specifications applicable at the time of sale in accordance with TI's standard warranty. Testing and other quality control techniques are used to the extent TI deems necessary to support this warranty. Except where mandated by government requirements, testing of all parameters of each product is not necessarily performed.

TI assumes no liability for applications assistance or customer product design. Customers are responsible for their products and applications using TI components. To minimize the risks associated with customer products and applications, customers should provide adequate design and operating safeguards.

TI does not warrant or represent that any license, either express or implied, is granted under any TI patent right, copyright, mask work right, or other TI intellectual property right relating to any combination, machine, or process in which TI products or services are used. Information published by TI regarding third-party products or services does not constitute a license from TI to use such products or services or a warranty or endorsement thereof. Use of such information may require a license from a third party under the patents or other intellectual property of the third party, or a license from TI under the patents or other intellectual property of TI.

Reproduction of information in TI data books or data sheets is permissible only if reproduction is without alteration and is accompanied by all associated warranties, conditions, limitations, and notices. Reproduction of this information with alteration is an unfair and deceptive business practice. TI is not responsible or liable for such altered documentation.

Resale of TI products or services with statements different from or beyond the parameters stated by TI for that product or service voids all express and any implied warranties for the associated TI product or service and is an unfair and deceptive business practice. TI is not responsible or liable for any such statements.

TI products are not authorized for use in safety-critical applications (such as life support) where a failure of the TI product would reasonably be expected to cause severe personal injury or death, unless officers of the parties have executed an agreement specifically governing such use. Buyers represent that they have all necessary expertise in the safety and regulatory ramifications of their applications, and acknowledge and agree that they are solely responsible for all legal, regulatory and safety-related requirements concerning their products and any use of TI products in such safety-critical applications, notwithstanding any applications-related information or support that may be provided by TI. Further, Buyers must fully indemnify TI and its representatives against any damages arising out of the use of TI products in such safety-critical applications.

TI products are neither designed nor intended for use in military/aerospace applications or environments unless the TI products are specifically designated by TI as military-grade or "enhanced plastic." Only products designated by TI as military-grade meet military specifications. Buyers acknowledge and agree that any such use of TI products which TI has not designated as military-grade is solely at the Buyer's risk, and that they are solely responsible for compliance with all legal and regulatory requirements in connection with such use.

TI products are neither designed nor intended for use in automotive applications or environments unless the specific TI products are designated by TI as compliant with ISO/TS 16949 requirements. Buyers acknowledge and agree that, if they use any non-designated products in automotive applications, TI will not be responsible for any failure to meet such requirements.

Following are URLs where you can obtain information on other Texas Instruments products and application solutions:

Products		Applications	
Amplifiers	amplifier.ti.com	Audio	www.ti.com/audio
Data Converters	dataconverter.ti.com	Automotive	www.ti.com/automotive
DSP	dsp.ti.com	Broadband	www.ti.com/broadband
Interface	interface.ti.com	Digital Control	www.ti.com/digitalcontrol
Logic	logic.ti.com	Military	www.ti.com/military
Power Mgmt	power.ti.com	Optical Networking	www.ti.com/opticalnetwork
Microcontrollers	microcontroller.ti.com	Security	www.ti.com/security
RFID	www.ti-rfid.com	Telephony	www.ti.com/telephony
Low Power Wireless	www.ti.com/lpw	Video & Imaging	www.ti.com/video
		Wireless	www.ti.com/wireless

Mailing Address: Texas Instruments, Post Office Box 655303, Dallas, Texas 75265
Copyright © 2007, Texas Instruments Incorporated