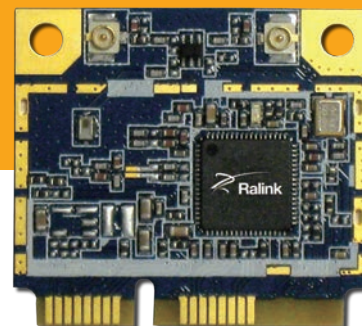


RT3390

802.11n 1T1R PCI Express Single Chip

Highly Integrated chipsets with MAC, BB, 2.4G RF, PA, LNA, and RF Switch



- CMOS single chip
- Low Power Consumption
- PCI Express 1.2 Half-Size Mini Card, Mini Card, Express Card

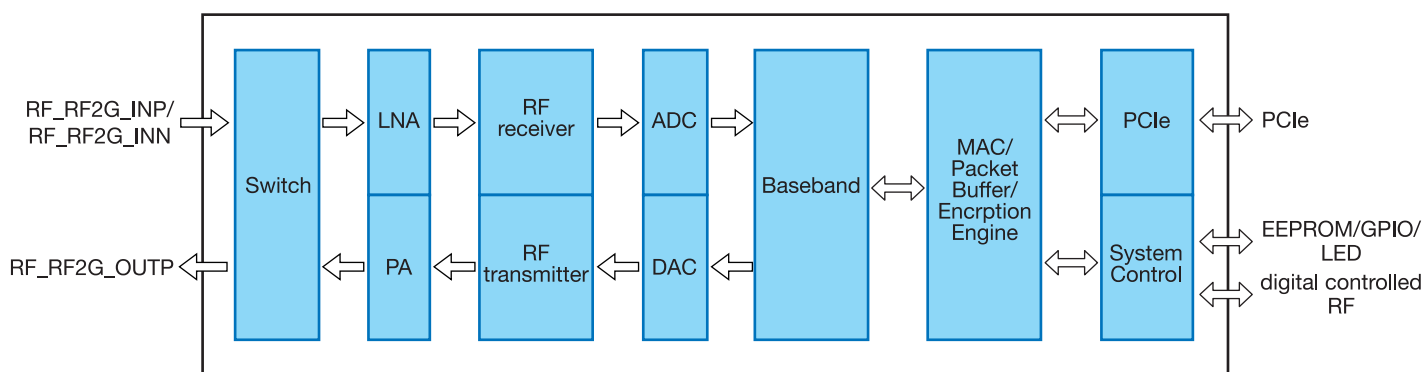
Overview

The RT3390 is a highly integrated 802.11n PCIe single chip. With radio, baseband and power amplifiers all contained on a single die, these chipsets deliver the high performance, low power consumption and attractive pricing, all required for integration into today's high volume PC, broadband connectivity, and consumer electronics products. The RT3390 provides an optimal solution for customers aiming to capitalize on the growing market for a high-performance yet cost effective WLAN chip. It is easy to integrate, and provide performance and flexibility that meets today's market demand for small, inexpensive yet high-performance devices. The RT3390 allows manufacturers to get their products to market quickly while also ensuring the best possible cost performance.

Features

- CMOS Technology with integrated RF, Baseband, and MAC
- PA, LNA, and RF Switch integrated
- Support for PHY Rate up to 150Mbps
- Legacy and High Throughput Modes
- 20MHz/40MHz Bandwidth
- Reverse Direction Grant Data Flow and Frame
- Aggregation
- Support for WEP 64/128, WPA, WPA2,TKIP, AES and WAPI
- QoS-WMM, WMM-PS
- WPS, PIN, PBC
- Multiple BSSID Support
- PCI Express 1.2
- Cisco CCX Support up to v5.0
- Bluetooth Co-existence
- Low Power with Advanced Power Management
- Operating System – Windows XP 32/64, 2000, Vista 32/64, Windows 7 (inbox driver) Linux and Macintosh

Block Diagram



US Office
 20833 Stevens Creek Blvd., Suite 200
 Cupertino, CA 95014
 Tel: 408.725.8070 | Fax: 408.725.8069
 www.ralinktech.com

Taiwan Headquarters
 5F, No.36, Taiyuan St., Jhubei City,
 HsinChu County, Taiwan 302
 新竹縣竹北市台元街36號五樓
 Tel: 03-5600868 | Fax: 03-5600818