

## DS34LV87T

# Enhanced CMOS Quad Differential Line Driver

### General Description

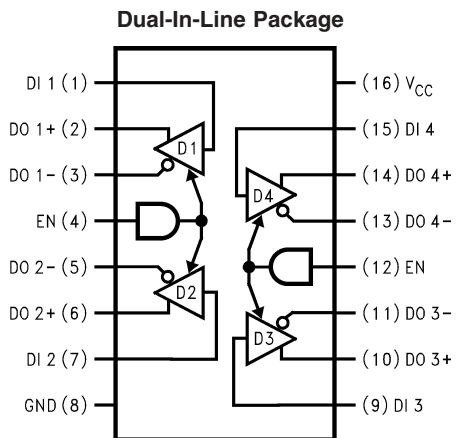
The DS34LV87T is a high speed quad differential CMOS driver that meets the requirements of both TIA/EIA-422-B and ITU-T V.11. The CMOS DS34LV87T features low static  $I_{CC}$  of 100  $\mu\text{A}$  max which makes it ideal for battery powered and power conscious applications. The TRI-STATE® enable, EN, allows the device to be disabled when the device is not in use to minimize power. The dual enable scheme allows for flexibility in turning devices on or off.

Protection diodes protect all the driver inputs against electrostatic discharge. The driver and enable inputs (DI and EN) are compatible with LVTTTL and LVCMOS devices. Differential outputs have the same  $V_{OD}$  ( $\geq 2\text{V}$ ) guarantee as the 5V version. The outputs have enhanced ESD Protection providing greater than 7 kV tolerance.

### Features

- Meets TIA/EIA-422-B (RS-422) and ITU-T V.11 recommendation
- Interoperable with existing 5V RS-422 networks
- Guaranteed  $V_{OD}$  of 2V min over operating conditions
- Balanced output crossover for low EMI (typical within 40 mV of 50% voltage level)
- Low power design (330  $\mu\text{W}$  @ 3.3V static)
- ESD  $\geq 7$  kV on cable I/O pins (HBM)
- Industrial temperature range
- Guaranteed AC parameter:
  - Maximum driver skew: 2 ns
  - Maximum transition time: 10 ns
- Pin compatible with DS26C31
- Available in SOIC packaging

### Connection Diagram



01264501

Top View  
 Order Number DS34LV87TM  
 See NS Package Number M16A

### Truth Table

Enables	Input	Outputs	
EN	DI	DO+	DO-
L	X	Z	Z
H	H	H	L
H	L	L	H

L = Low logic state  
 X = Irrelevant  
 H = High logic state  
 Z = TRI-STATE

**Absolute Maximum Ratings** (Note 1)

If Military/Aerospace specified devices are required, please contact the National Semiconductor Sales Office/Distributors for availability and specifications.

Supply Voltage ( $V_{CC}$ )	-0.5V to +7V
Enable Input Voltage (EN)	-0.5V to $V_{CC} + 0.5V$
Driver Input Voltage ( $D_i$ )	-0.5V to $V_{CC} + 0.5V$
Clamp Diode Current	$\pm 20$ mA
DC Output Current, per pin	$\pm 150$ mA
Driver Output Voltage (Power Off: DO+, DO-)	-0.5V to +7V
Maximum Package Power Dissipation @+25°C	
M Package	1226 mW
Derate M Package	9.8 mW/°C above +25°C
Storage Temperature Range	-65°C to +150°C

Lead Temperature Range

(Soldering, 4 sec.)

+260°C

ESD Ratings

(HBM, 1.5k, 100 pF)

Driver Outputs

 $\geq 7$  kV

Other Pins

 $\geq 2.5$  kV**Recommended Operating Conditions**

	Min	Typ	Max	Units
Supply Voltage ( $V_{CC}$ )	3.0	3.3	3.6	V
Operating Free Air Temperature Range ( $T_A$ )				
DS34LV87T	-40	25	+85	°C
Input Rise and Fall Time			500	ns

**Electrical Characteristics** (Notes 2, 3)

Over Supply Voltage and Operating Temperature ranges, unless otherwise specified

Symbol	Parameter	Conditions	Pin	Min	Typ	Max	Units	
$V_{OD1}$	Output Differential Voltage	$R_L = \infty$ , (No Load)	DO+,		3.3	4.0	V	
$V_{OD2}$	Output Differential Voltage	$R_L = 100\Omega$ <i>Figure 1</i>	DO-		2	2.6	V	
$\Delta V_{OD2}$	Change in Magnitude of Output Differential Voltage			-400	7	400	mV	
$V_{OD3}$	Output Differential Voltage	$R_L = 3900\Omega$ (V.11), <i>Figure 1</i> (Note 7)			3.2	3.5	V	
$V_{OC}$	Common Mode Voltage	$R_L = 100\Omega$ <i>Figure 1</i>			1.5	2	V	
$\Delta V_{OC}$	Change in Magnitude of Common Mode Voltage			-400	6	400	mV	
$I_{OZ}$	TRI-STATE Leakage Current	$V_{OUT} = V_{CC}$ or GND Drivers Disabled			$\pm 0.5$	$\pm 20$	$\mu A$	
$I_{SC}$	Output Short Circuit Current	$V_{OUT} = 0V$ $V_{IN} = V_{CC}$ or GND (Note 4)		-40	-70	-150	mA	
$I_{OFF}$	Output Leakage Current	$V_{CC} = 0V$ , $V_{OUT} = 3V$			0.03	100	$\mu A$	
		$V_{CC} = 0V$ , $V_{OUT} = -0.25V$			-0.08	-100	$\mu A$	
$V_{IH}$	High Level Input Voltage		DI, EN	2.0		$V_{CC}$	V	
$V_{IL}$	Low Level Input Voltage			GND		0.8	V	
$I_{IH}$	High Level Input Current	$V_{IN} = V_{CC}$				10	$\mu A$	
$I_{IL}$	Low Level Input Current	$V_{IN} = GND$			-10		$\mu A$	
$V_{CL}$	Input Clamp Voltage	$I_{IN} = -18$ mA					-1.5	V
$I_{CC}$	Power Supply Current	No Load, $V_{IN}$ (all) = $V_{CC}$ or GND		$V_{CC}$			100	$\mu A$

## Switching Characteristics (Notes 5, 6)

Over Supply Voltage and Operating Temperature ranges, unless otherwise specified

Symbol	Parameter	Conditions	Min	Typ	Max	Units
$t_{PHLD}$	Differential Propagation Delay High to Low	$R_L = 100\Omega, C_L = 50\text{ pF}$ (Figures 2, 3)	6	10.5	16	ns
$t_{PLHD}$	Differential Propagation Delay Low to High		6	11	16	ns
$t_{SKD}$	Differential Skew $ t_{PHLD} - t_{PLHD} $			0.5	2.0	ns
$t_{SK1}$	Skew, Pin to Pin (same device)			1.0	2.0	ns
$t_{SK2}$	Skew, Part to Part (Note 8)			3.0	5.0	ns
$t_{TLH}$	Differential Transition Time Low to High (20% to 80%)			4.2	10	ns
$t_{THL}$	Differential Transition Time High to Low (80% to 20%)			4.7	10	ns
$t_{PHZ}$	Disable Time High to Z		(Figures 4, 5)		12	20
$t_{PLZ}$	Disable Time Low to Z			9	20	ns
$t_{PZH}$	Enable Time Z to High			22	32	ns
$t_{PZL}$	Enable Time Z to Low			22	32	ns
$f_{MAX}$	Maximum Operating Frequency (Note 9)			32		MHz

**Note 1:** "Absolute Maximum Ratings" are those values beyond which the safety of the device cannot be guaranteed. They are not meant to imply that the device should be operated at these limits. The table of "Electrical Characteristics" specifies conditions of device operation.

**Note 2:** Current into device pins is defined as positive. Current out of device pins is defined as negative. All voltages are referenced to ground except differential voltages  $V_{OD1}, V_{OD2}, V_{OD3}$ .

**Note 3:** All typical values are given for  $V_{CC} = 3.3V$  and  $T_A = +25^\circ C$ .

**Note 4:** Only one output shorted at a time. The output (true or complement) is configured High.

**Note 5:**  $f = 1\text{ MHz}$ ,  $t_r$  and  $t_f \leq 6\text{ ns}$  (10% to 90%).

**Note 6:** See TIA/EIA-422-B specifications for exact test conditions.

**Note 7:** This specification limit is for compliance with TIA/EIA-422-B and ITU-T V.11.

**Note 8:** Devices are at the same  $V_{CC}$  and within  $5^\circ C$  within the operating temperature range.

**Note 9:** All channels switching, output duty cycle criteria is 40%/60% measured at 50%. This parameter is guaranteed by design and characterization.

## Parameter Measurement Information

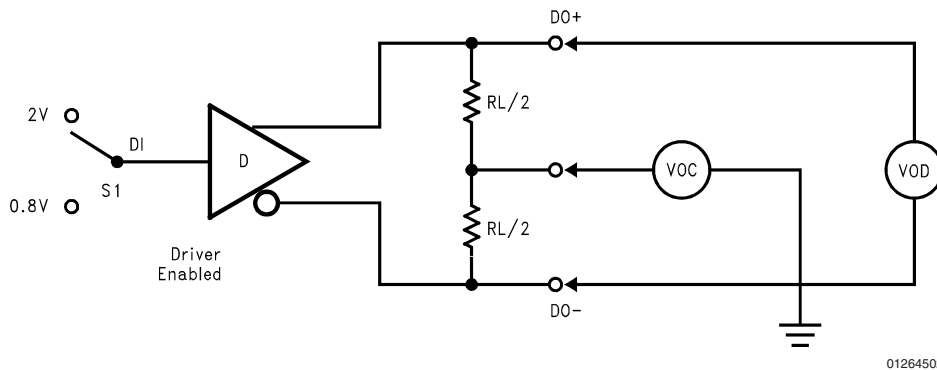
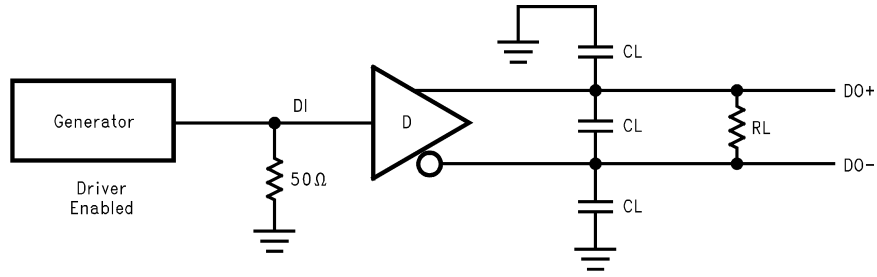


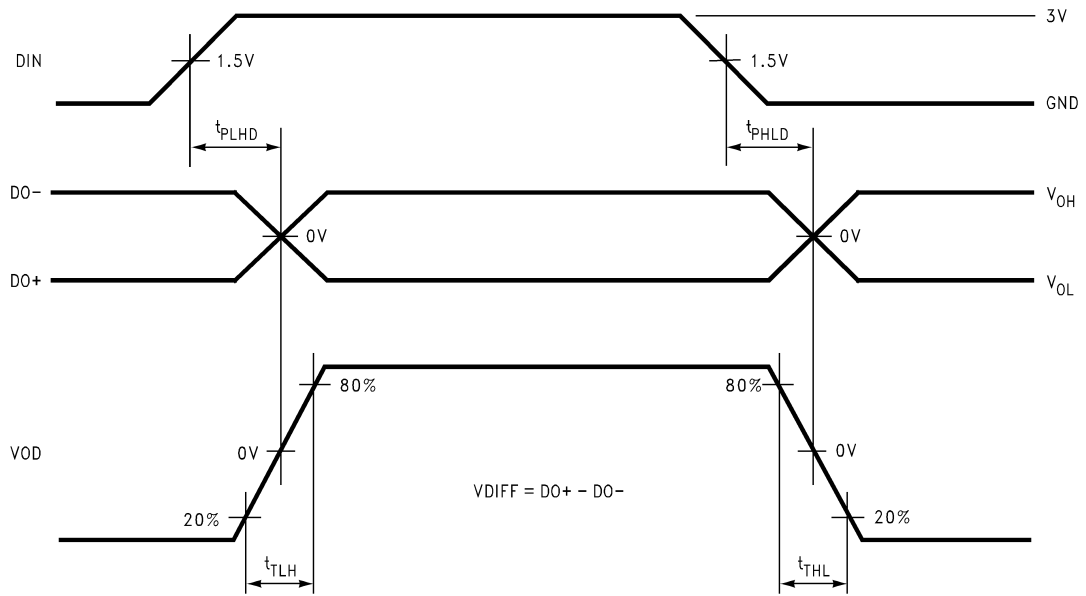
FIGURE 1. Differential Driver DC Test Circuit

Parameter Measurement Information (Continued)



01264503

FIGURE 2. Differential Driver Propagation Delay and Transition Time Test Circuit

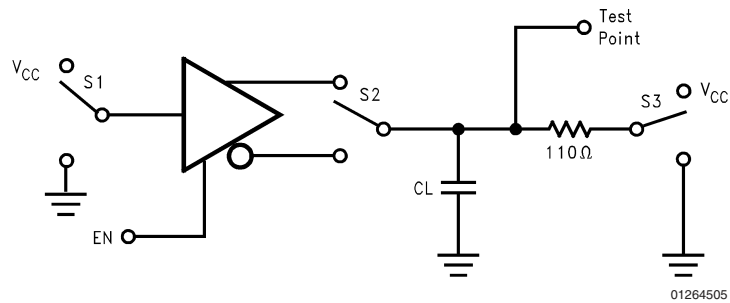


01264504

FIGURE 3. Differential Driver Propagation Delay and Transition Time Waveforms

**Note 10:** Generator waveform for all tests unless otherwise specified:  $f = 1 \text{ MHz}$ , Duty Cycle = 50%,  $Z_o = 50\Omega$ ,  $t_r \leq 10 \text{ ns}$ ,  $t_f \leq 10 \text{ ns}$ .

**Note 11:**  $C_L$  includes probe and fixture capacitance.



01264505

FIGURE 4. Driver Single-Ended TRI-STATE Test Circuit

Parameter Measurement Information (Continued)

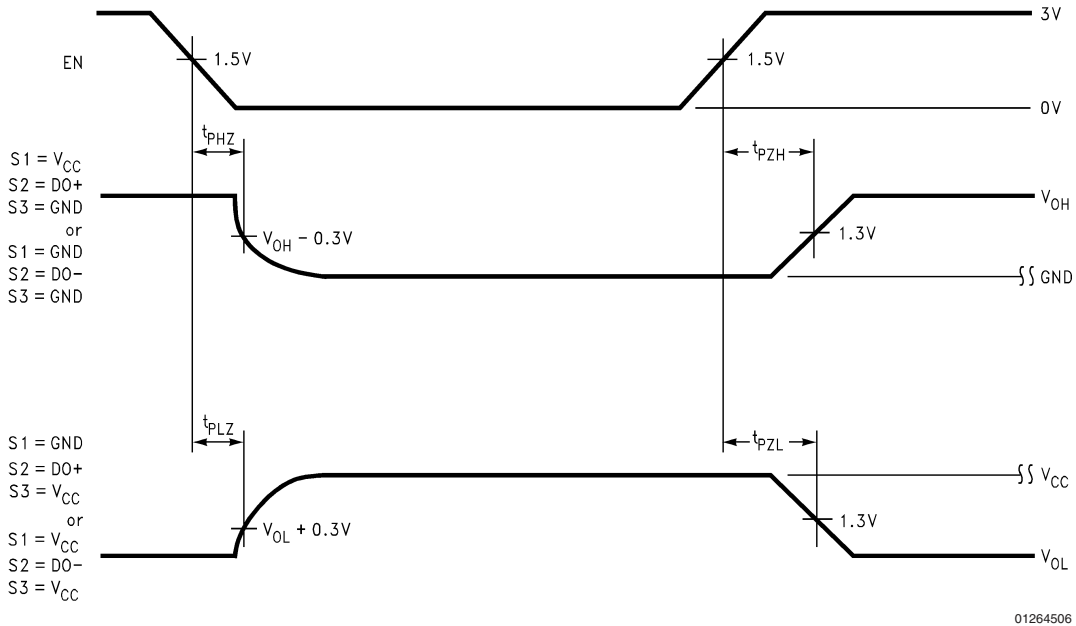


FIGURE 5. Driver Single-Ended TRI-STATE Waveforms

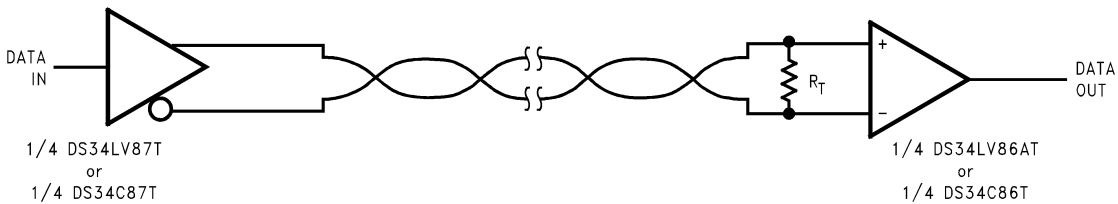
Typical Application Information

General application guidelines and hints for differential drivers and receivers may be found in the following application notes:

AN-214, AN-457, AN-805, AN-847, AN-903, AN-912, AN-916.

Power Decoupling Recommendations:

Bypass caps must be used on power pins. High frequency ceramic (surface mount is recommended) 0.1  $\mu F$  in parallel with 0.01  $\mu F$  at the power supply pin. A 10  $\mu F$  or greater tantalum or electrolytic should be connected at the power entry point on the printed circuit board.



$R_T$  is optional although highly recommended to reduce reflection

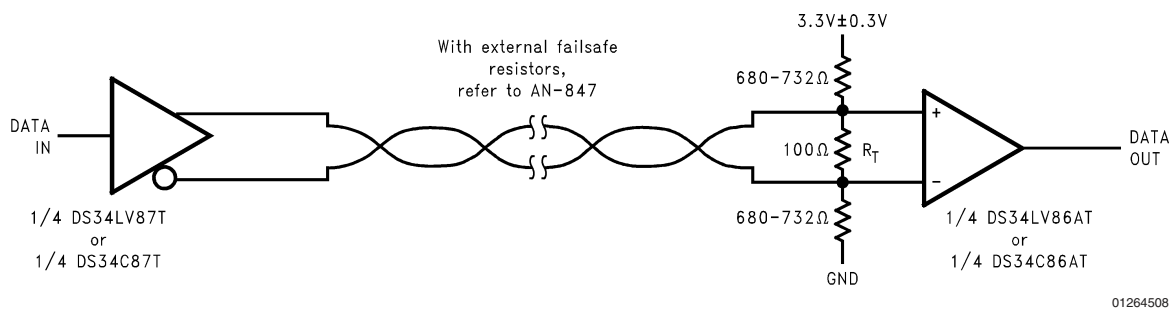


FIGURE 6. Typical Driver Connection

# Typical Application Information (Continued)

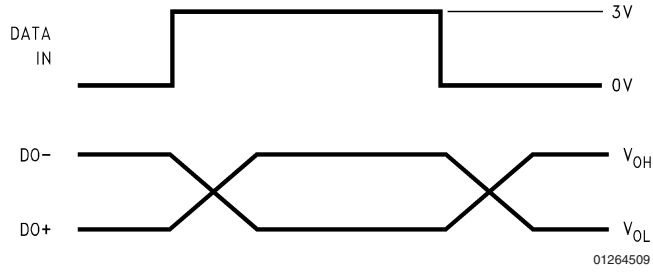
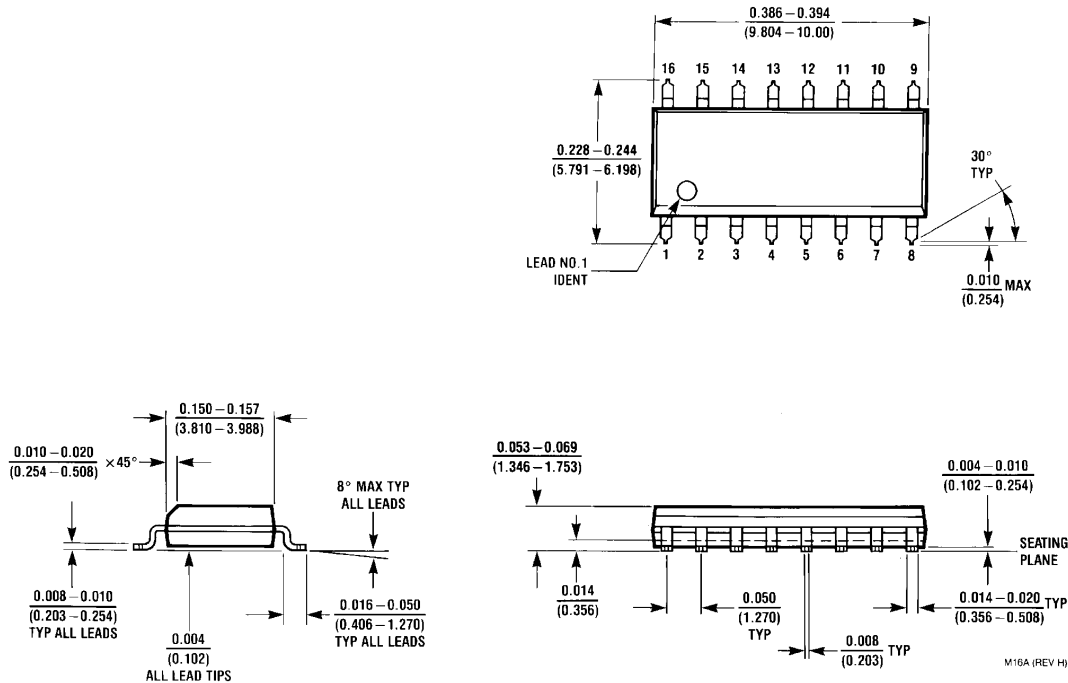


FIGURE 7. Typical Driver Output Waveforms

**Physical Dimensions** inches (millimeters) unless otherwise noted



**16-Lead Molded Small Outline Package (M)**  
**Order Number DS34LV87TM**  
**NS Package Number M16A**

**LIFE SUPPORT POLICY**

NATIONAL'S PRODUCTS ARE NOT AUTHORIZED FOR USE AS CRITICAL COMPONENTS IN LIFE SUPPORT DEVICES OR SYSTEMS WITHOUT THE EXPRESS WRITTEN APPROVAL OF THE PRESIDENT AND GENERAL COUNSEL OF NATIONAL SEMICONDUCTOR CORPORATION. As used herein:

1. Life support devices or systems are devices or systems which, (a) are intended for surgical implant into the body, or (b) support or sustain life, and whose failure to perform when properly used in accordance with instructions for use provided in the labeling, can be reasonably expected to result in a significant injury to the user.
2. A critical component is any component of a life support device or system whose failure to perform can be reasonably expected to cause the failure of the life support device or system, or to affect its safety or effectiveness.

**BANNED SUBSTANCE COMPLIANCE**

National Semiconductor certifies that the products and packing materials meet the provisions of the Customer Products Stewardship Specification (CSP-9-111C2) and the Banned Substances and Materials of Interest Specification (CSP-9-111S2) and contain no "Banned Substances" as defined in CSP-9-111S2.

**National Semiconductor**  
**Americas Customer Support Center**  
 Email: new.feedback@nsc.com  
 Tel: 1-800-272-9959

**National Semiconductor**  
**Europe Customer Support Center**  
 Fax: +49 (0) 180-530 85 86  
 Email: europe.support@nsc.com  
 Deutsch Tel: +49 (0) 69 9508 6208  
 English Tel: +44 (0) 870 24 0 2171  
 Français Tel: +33 (0) 1 41 91 8790

**National Semiconductor**  
**Asia Pacific Customer Support Center**  
 Email: ap.support@nsc.com

**National Semiconductor**  
**Japan Customer Support Center**  
 Fax: 81-3-5639-7507  
 Email: jpn.feedback@nsc.com  
 Tel: 81-3-5639-7560

www.national.com